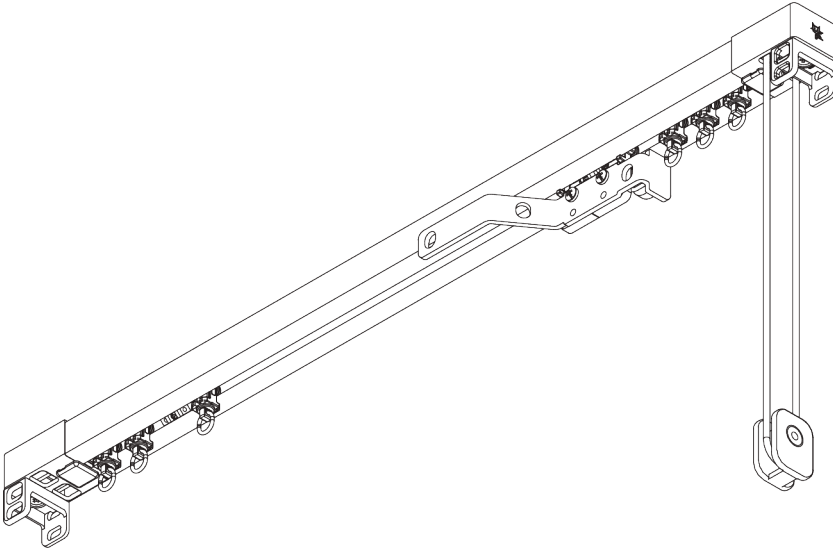
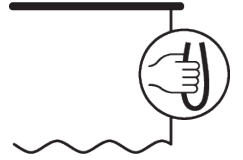


# SG 3970

---



## PRODUCT INFORMATION

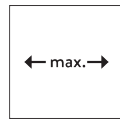
- **Operation:** cord
- **Range:** M - L
- **Fitting:** ceiling, wall, recess
- **Colours:** white RAL 9016 or anodised aluminum, special colours possible (recess profile only in white RAL 9016 or special color)
- **Fabrics:** refer to Silent Gliss fabric collection

### **Features:**

- 2-component (2C) roller technology
- Wave (2C)
- Bendable
- Bendable recess profile

# SYSTEM SPECIFICATIONS

## A. SYSTEM DIMENSIONS



15 m



38 kg

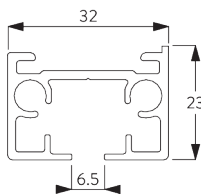
### Max. curtain weight - 2C roller

	2 m	4 m	6 m	8 m	10 m	12 m	15 m
	25	38	35	30	25	20	15
	25	38	35	30	25	20	15
	25	30	25	20	18	15	10
	25	30	25	20	18	15	10
	13	16	13	11	10	8	6
	13	16	13	11	10	8	6
	11	13	11	10	9	7	-
	11	13	11	10	9	7	-

(kg max.)

## B. PROFILE

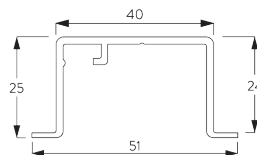
### Profile and bending information



**SG 3971**

Profile

Radius: >25 cm

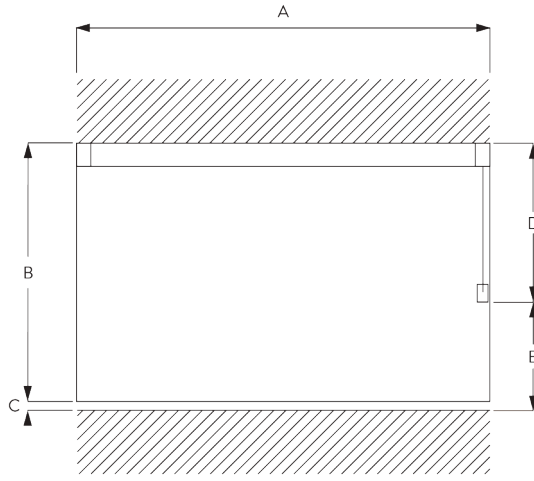


**SG 10862**

Recess profile

Radius: 50 - 75 cm  
>75 cm on request

**C. HOW TO  
MEASURE**



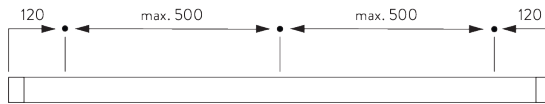
- A: System width
- B: System height
- C: Distance between floor and fabric
- D: Cord height
- E: Safety Retainer SG 10731 min. 150 cm above floor

**FITTING**

**A. FITTING  
INFORMATION**

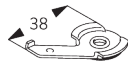
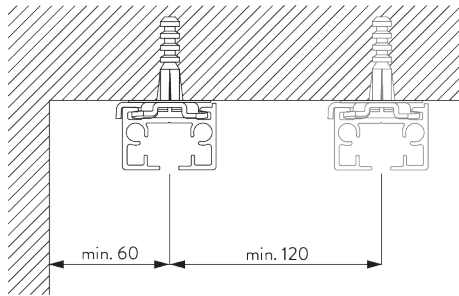
For detailed fitting information, visit the Silent Gliss website.

**Fixing points**



**B. CEILING FITTING**

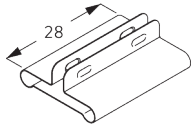
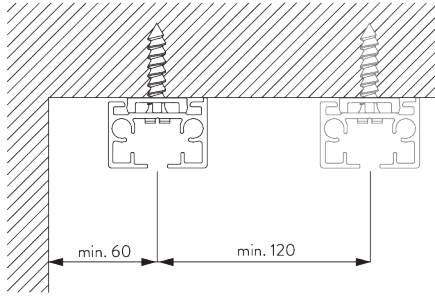
**Clamp SG 3004**



**SG 3004**

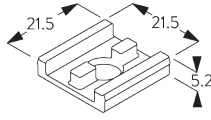
Clamp

## Direct fitting



**SG 7002**

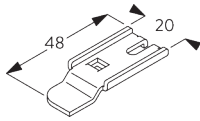
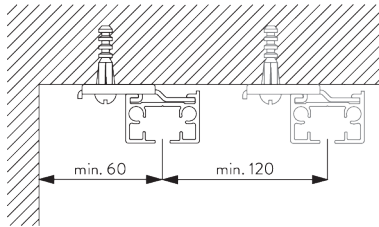
Profile protector



**SG 10865**

Support plate

## Bracket SG 3041

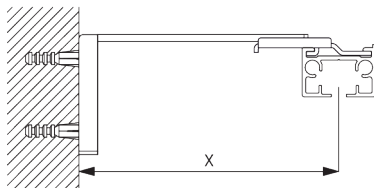


**SG 3041**

Bracket

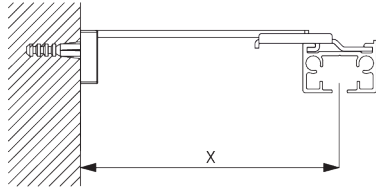
## C. WALL FITTING

### Smart Fix



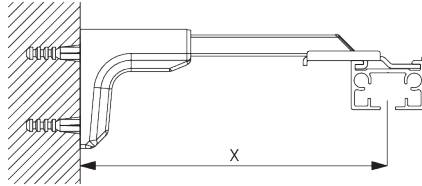
**Smart Fix SG 11200 - SG 11205 and bracket SG 3041:**  
Screw SG 10492 (M4x8) needed.

Smart Fix	X mm (SG 3041)	X mm (SG 3004)
SG 11200 / SG 11210	83	
SG 11201 / SG 11211	103	72
SG 11202 / SG 11212	123	92
SG 11203 / SG 11213	143	112
SG 11204 / SG 11214	173	142
SG 11205 / SG 11215	223	192
SG 11154	128-156	102-130
SG 11155	158-186	132-160
SG 11156	208-236	182-210



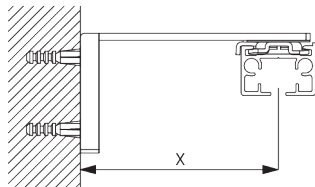
**Square Smart Fix SG 11210 - SG 11215 and bracket SG 3041:**

Screw SG 10492 (M4x8) needed.



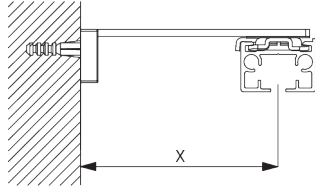
**Universal Smart Fix SG 11154 - SG 11156 and bracket SG 3041:**

Screw SG 10407 (M4x10) needed.



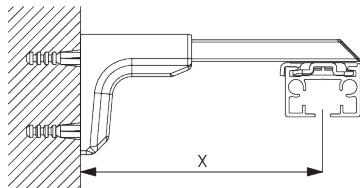
**Smart Fix SG 11201 - SG 11205 and clamp SG 3004:**

Screw SG 10074 (M4x8) needed.



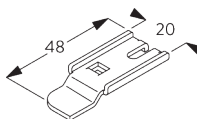
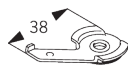
**Square Smart Fix SG 11211 - SG 11215 and clamp SG 3004:**

Screw SG 10074 (M4x8) needed.



**Universal Smart Fix SG 11154 - SG 11156 and clamp SG 3004:**

Screw SG 11158 (M4x12) needed.



**SG 3004**  
Clamp

**SG 3041**  
Bracket

**SG 10074**  
Countersunk head screw  
M4x8

**SG 10407**  
Pan head screw M4x10



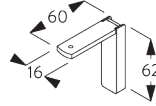
**SG 10492**

Pan head screw M4x8



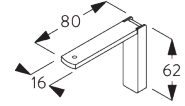
**SG 11158**

Countersunk head screw M4x12



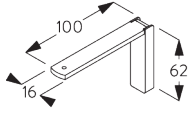
**SG 11200**

Smart Fix 60 mm



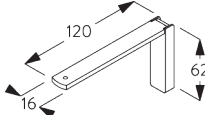
**SG 11201**

Smart Fix 80 mm



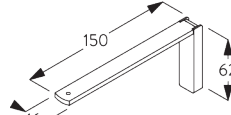
**SG 11202**

Smart Fix 100 mm



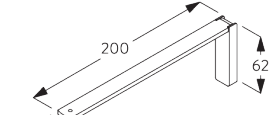
**SG 11203**

Smart Fix 120 mm



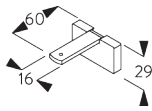
**SG 11204**

Smart Fix 150 mm



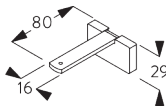
**SG 11205**

Smart Fix 200 mm



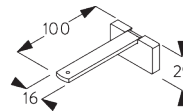
**SG 11210**

Square Smart Fix 60 mm



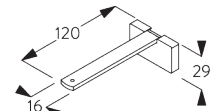
**SG 11211**

Square Smart Fix 80 mm



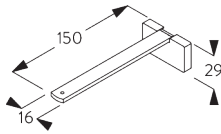
**SG 11212**

Square Smart Fix 100 mm



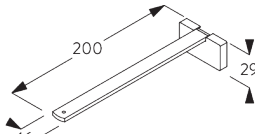
**SG 11213**

Square Smart Fix 120 mm



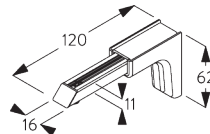
**SG 11214**

Square Smart Fix 150 mm



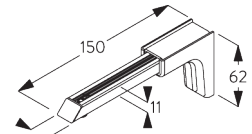
**SG 11215**

Square Smart Fix 200 mm



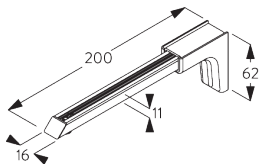
**SG 11154**

Universal Smart Fix 120 mm



**SG 11155**

Universal Smart Fix 150 mm

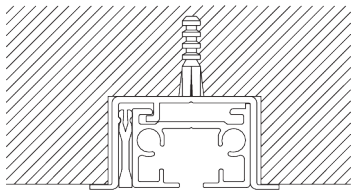


**SG 11156**

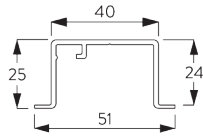
Universal Smart Fix 200 mm

**D. RECESS FITTING**

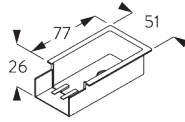
**Recess profile  
SG 10862**



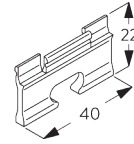
One wedge SG 5118 per fixing point.  
For detailed recess fitting, visit the Silent Gliss website.



**SG 10862**  
Recess profile



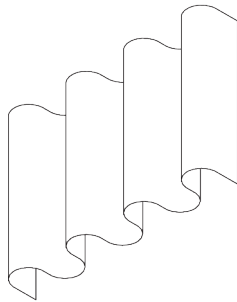
**SG 10864**  
Recess mask



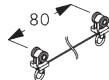
**SG 5118**  
Wedge

# SYSTEM OPTIONS

## A. WAVE



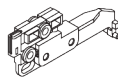
SG 11295



SG 10852



SG 6365



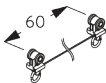
SG 10845



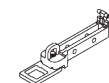
SG 10854



SG 10867



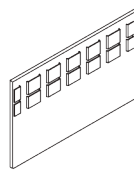
SG 10869



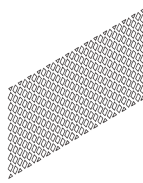
SG 10887



SG 3582



SG 6349



SG 6363



SG 10075



SG 10076

### Standard components:

- SG 11295 End stop
- SG 10852 Wave 2C roller cord 80 mm

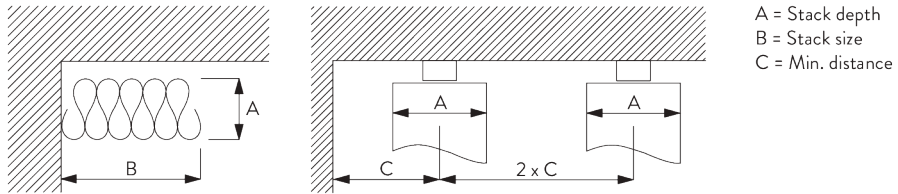
### Optional components:

- SG 6365 Wave hanger
- SG 10845 Wave master carrier single stack 80 mm
- SG 10854 Wave overlap support arm
- SG 10867 Panhead screw M4x16
- SG 10869 Wave 2C roller cord 60 mm (no single stack)
- SG 10887 Wave extension

### Curtain components:

- SG 3582 Hook
- SG 6349 Wave curtain tape
- SG 6363 Wave top hemming tape
- SG 10075 Lead weight 50 gr/m
- SG 10076 Fabric weight

Wave stack depth - 2C roller cord (standard components)



2C Roller cord SG 10852	Pockets between hooks	Approx. curtain fullness	Stack depth A	Stack size B*	Min distance C
80	6	~2.1	140	210 per metre of track	90
80	7	~2.3	160	210 per metre of track	100

2C Roller cord SG 10869	Pockets between hooks	Approx. curtain fullness	Stack depth A	Stack size B*	Min distance C
60	4	~2.1	100	260 per metre of track	70
60	5	~2.3	120	260 per metre of track	80

**\*Stack size B standard**

- single stack = plus 140 mm per curtain
- pair stack = plus 40 mm per curtain



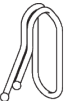

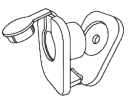
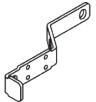
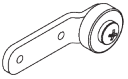

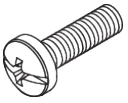

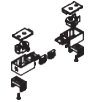
**\*Stack size B optional**

- single stack = n/a
- pair stack = plus 150 mm per curtain


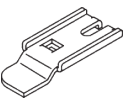



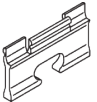


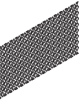
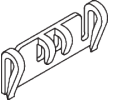
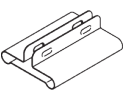
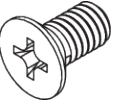

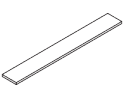


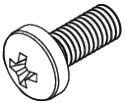
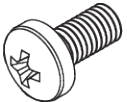
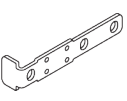
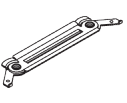
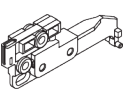
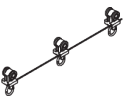
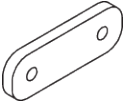
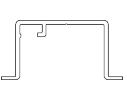
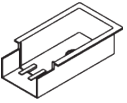
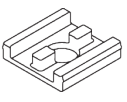
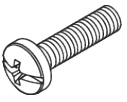
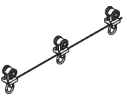
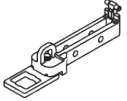
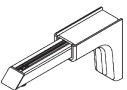
# PARTS

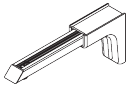
## A. STANDARD PARTS

	<b>SG 3004</b> Clamp
	<b>SG 3090</b> Cord ø 3.5 mm
	<b>SG 3581</b> Hook
	<b>SG 3971</b> Profile
	<b>SG 10731</b> Child safety retainer set
	<b>SG 10821</b> Overlap arm
	<b>SG 10826</b> Overlap arm support
	<b>SG 10840</b> 2C roller
	<b>SG 10923</b> Pan head screw Freedriv M4x12
	<b>SG 11314</b> Master carrier
	<b>SG 11315</b> Guide set

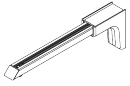
## B. OPTIONAL PARTS

	<b>SG 3012</b> Hook
	<b>SG 3041</b> Bracket
	<b>SG 3340</b> Cord/chain weight
	<b>SG 3582</b> Hook
	<b>SG 3735</b> Cord weight with tensioner
	<b>SG 5118</b> Wedge
	<b>SG 6005</b> Hook
	<b>SG 6349</b> Wave curtain tape
	<b>SG 6363</b> Wave top hemming tape
	<b>SG 6365</b> Wave hanger
	<b>SG 7002</b> Profile protector
	<b>SG 10074</b> Countersunk head screw M4x8
	<b>SG 10075</b> Lead weight 50 g/m
	<b>SG 10076</b> Fabric weight

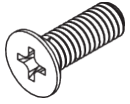
	<b>SG 10407</b> Pan head screw M4x10
	<b>SG 10492</b> Pan head screw M4x8
	<b>SG 10820</b> Overlap arm
	<b>SG 10831</b> Connection bridge
	<b>SG 10845</b> Wave master carrier 80 mm
	<b>SG 10852</b> Wave 2C roller cord 80 mm
	<b>SG 10854</b> Wave overlap plate
	<b>SG 10862</b> Recess profile
	<b>SG 10864</b> Recess mask
	<b>SG 10865</b> Support plate
	<b>SG 10867</b> Pan head screw Freedriv M4x16
	<b>SG 10869</b> Wave 2C roller cord 60 mm
	<b>SG 10887</b> Wave extension
	<b>SG 11154</b> Universal Smart Fix 120 mm



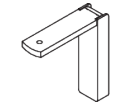
**SG 11155**  
*Universal Smart Fix 150 mm*



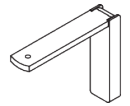
**SG 11156**  
*Universal Smart Fix 200 mm*



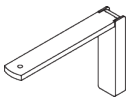
**SG 11158**  
*Countersunk head screw M4x12*



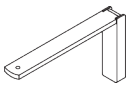
**SG 11200**  
*Smart Fix 60 mm*



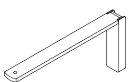
**SG 11201**  
*Smart Fix 80 mm*



**SG 11202**  
*Smart Fix 100 mm*



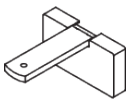
**SG 11203**  
*Smart Fix 120 mm*



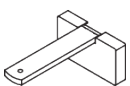
**SG 11204**  
*Smart Fix 150 mm*



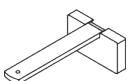
**SG 11205**  
*Smart Fix 200 mm*



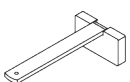
**SG 11210**  
*Square Smart Fix 60 mm*



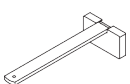
**SG 11211**  
*Square Smart Fix 80 mm*



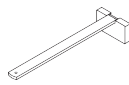
**SG 11212**  
*Square Smart Fix 100 mm*



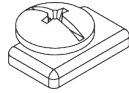
**SG 11213**  
*Square Smart Fix 120 mm*



**SG 11214**  
*Square Smart Fix 150 mm*



**SG 11215**  
*Square Smart Fix 200 mm*



**SG 11295**  
*End stop*



