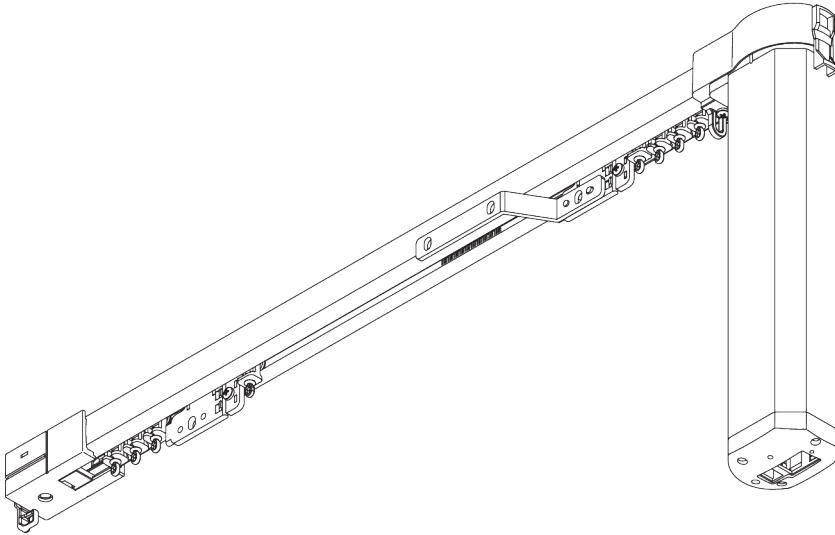


# SG 5100

---



## PRODUCT INFORMATION

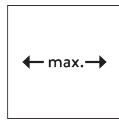
- **Operation:** motorised
- **Range:** S - M
- **Fitting:** ceiling, wall
- **Colours:** white RAL 9016
- **Fabrics:** refer to Silent Gliss fabric collection

### **Features:**

- Wave
- Various control options
- Touch & Go
- Manual override
- Different motor versions
- Bendable

# SYSTEM SPECIFICATIONS

## A. SYSTEM DIMENSIONS



6 m



25 kg

### Max. curtain weights with rollers

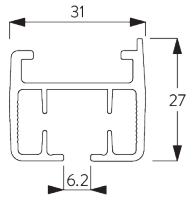
	3 m	6 m
	20	25
	20	25
	20	17
	20	17
	15	13
	15	13
	12	10
	12	10
(kg max.)		

### Max. curtain weights with Wave gliders

	3 m	6 m
	20	20
	20	20
	18	14
	18	14
	12	10
	12	10
	10	9
	10	9
(kg max.)		

## B. PROFILE

Profile and bending information

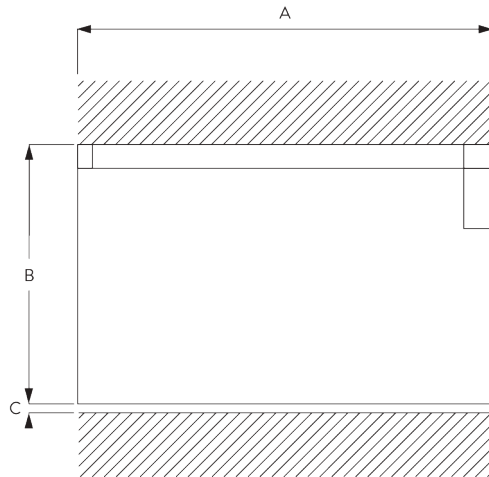


SG 10925

Profile



## C. HOW TO MEASURE



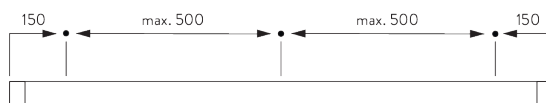
A: System width  
B: System height  
C: Distance between floor and fabric

# FITTING

## A. FITTING INFORMATION

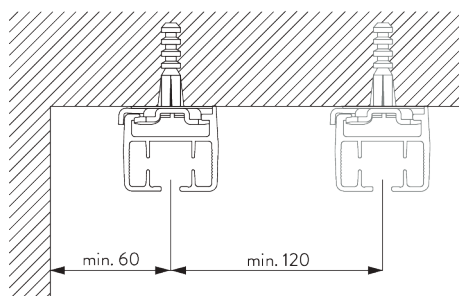
For detailed fitting information, visit the [Silent Gliss website](#).

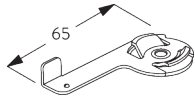
Fixing points



## B. CEILING FITTING

Clamp SG 10926

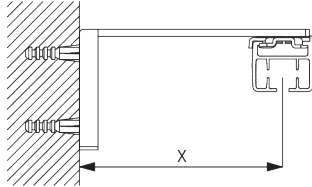




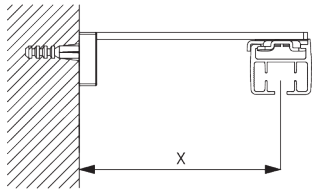
**SG 10926**  
Clamp

**C. WALL FITTING**

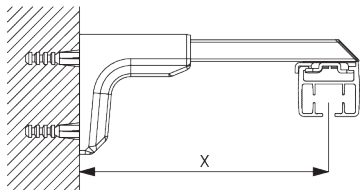
**Smart Fix**



**Smart Fix SG 11201 - SG 11205 and clamp SG 10926:**  
Screw SG 11127 (M4x10) needed.

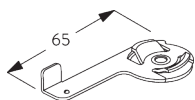


**Square Smart Fix SG 11211 - SG 11215 and clamp SG 10926:**  
Screw SG 11127 (M4x10) needed.



**Universal Smart Fix SG 11154 - SG 11156 and clamp SG 10926:**  
Screw SG 11158 (M4x12) needed.

Smart Fix	X mm
SG 11201 / SG 11211	72
SG 11202 / SG 11212	92
SG 11203 / SG 11213	112
SG 11204 / SG 11214	142
SG 11205 / SG 11215	192
SG 11154	102-130
SG 11155	132-160
SG 11156	182-210



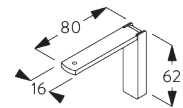
**SG 10926**  
Clamp



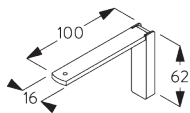
**SG 11127**  
Countersunk head screw  
M4x10



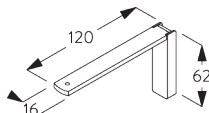
**SG 11158**  
Countersunk head screw  
M4x12



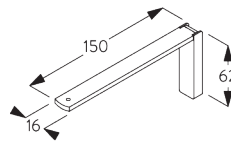
**SG 11201**  
Smart Fix 80 mm



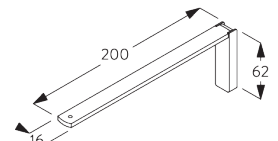
**SG 11202**  
Smart Fix 100 mm



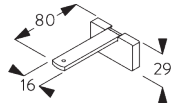
**SG 11203**  
Smart Fix 120 mm



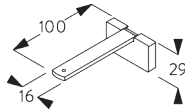
**SG 11204**  
Smart Fix 150 mm



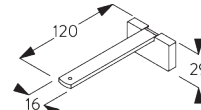
**SG 11205**  
Smart Fix 200 mm



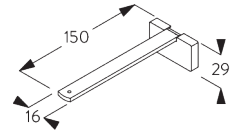
**SG 11211**  
Square Smart Fix 80 mm



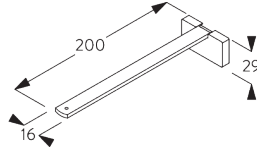
**SG 11212**  
Square Smart Fix 100 mm



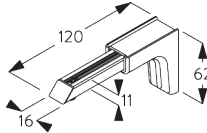
**SG 11213**  
Square Smart Fix 120 mm



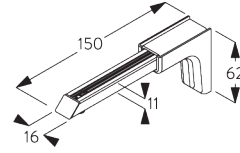
**SG 11214**  
Square Smart Fix 150 mm



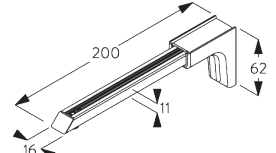
**SG 11215**  
Square Smart Fix 200 mm



**SG 11154**  
Universal Smart Fix 120 mm



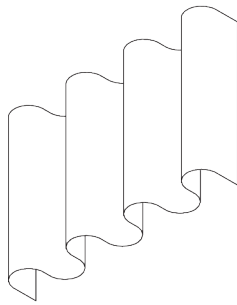
**SG 11155**  
Universal Smart Fix 150 mm



**SG 11156**  
Universal Smart Fix 200 mm

# SYSTEM OPTIONS

## A. WAVE



SG 6365



SG 10854



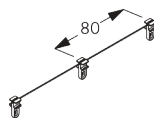
SG 10856



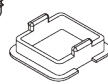
SG 10867



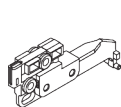
SG 10887



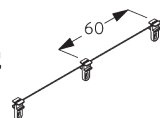
SG 10905



SG 10924



SG 10845



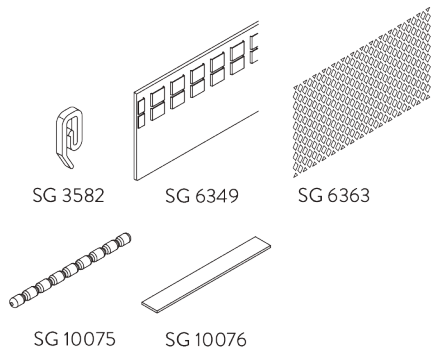
SG 10906

### Standard components:

- SG 6365 Wave hanger
- SG 10854 Wave overlap arm support
- SG 10856 Wave end stop, belt return
- SG 10867 Panhead screw
- SG 10887 Wave overlap arm set
- SG 10905 Wave glider cord 80 mm
- SG 10924 Wave glider support

### Optional components:

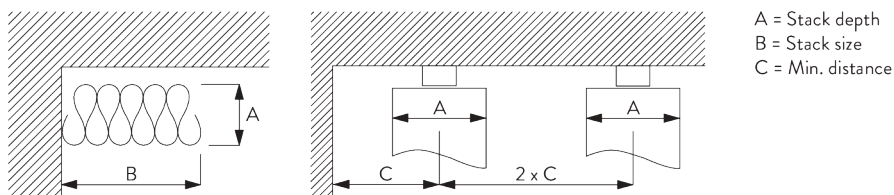
- SG 10845 Wave master carrier single stack 80 mm
- SG 10906 Wave glider cord 60 mm (no single stack)



Curtain components:

- SG 3582 Hook
- SG 6349 Wave curtain tape
- SG 6363 Wave top hemming tape
- SG 10075 Lead weight 50 gr/m
- SG 10076 Fabric weight

Wave stack depth - glider cord (standard components)



Glider cord SG 10905	Pockets between hooks	Approx. curtain fullness	Stack depth A	Stack size B*	Min distance C
80	6	~2.1	140	180 per metre of track	90
80	7	~2.3	160	180 per metre of track	100

Glider cord SG 10906	Pockets between hooks	Approx. curtain fullness	Stack depth A	Stack size B*	Min distance C
60	4	~2.1	100	230 per metre of track	70
60	5	~2.3	120	230 per metre of track	80

\*Stack size B plus 180 mm for each curtain stack!

# MOTORS & CONTROLS

## A. MOTOR FEATURES

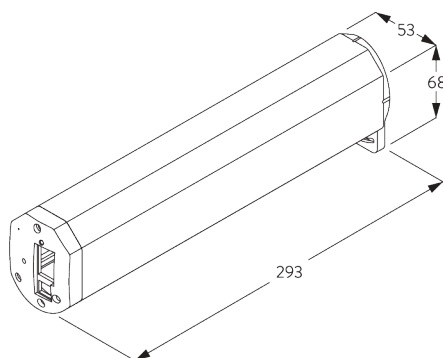
Motors	SG 5190	SG 5192	SG 5193
<b>Motor Features</b>			
Soft start / stop	●	●	●
Touch & Go	●	●	
Manual Override	●	●	●
Built-in receiver	●	●	
Electronic end-stop	●	●	●
Electronic revolution counter (unlimited revolution)	●	●	●
Parallel wiring possible without additional relays	●	●	●
Cable connectable with plug into motor		●	
IP class	IP 20	IP 20	IP 20
<b>Control Features</b>			
Mains power control			●
Dry contact control	●	●	
Dry contact and / or SG Control A	●	●	
SG Control A	●	●	
Suitable for all common home automation systems (with suitable interface)	●	●	●

## B. MOTOR SPECIFICATIONS

See website for wiring diagram.

Motors	Motor dimensions	Voltage	Current	Frequency	System speed / sec	Frequency receiver
SG 5190	L 293 x W 53 x D 68	100 - 240 V AC	0.8 - 0.4 A	50 / 60 Hz	15 cm / sec	433 MHz
SG 5192	L 293 x W 53 x D 68	24 V DC	3.5 A	n/a	15 cm / sec	433 MHz
SG 5193	L 293 x W 53 x D 68	100 - 240 V AC	0.8 - 0.4 A	50 / 60 Hz	15 cm / sec	n/a

## C. MOTOR DIMENSIONS



## D. OPERATING METHODS

See catalogue "controls" for details.

Wall switch



*System can be operated by fixed wall switch.*

SG Control A



*Various radio hand-held and wall transmitters available.*

**E. WIRING**  
**DIAGRAMS**

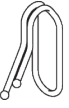
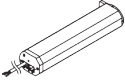
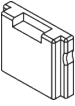
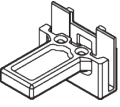
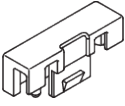
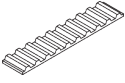
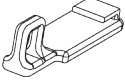
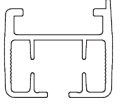
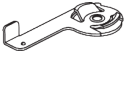

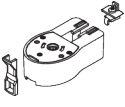
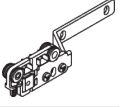
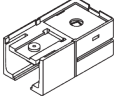
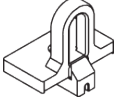


*Refer to Silent Gliss website.*




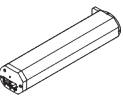
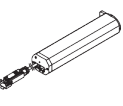


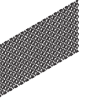
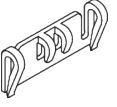


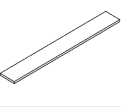

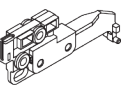


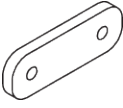
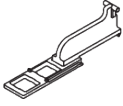
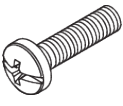
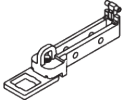
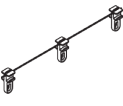
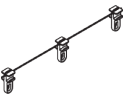
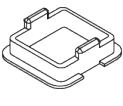

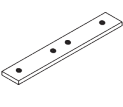
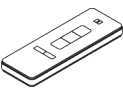
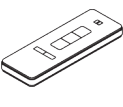
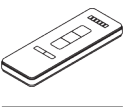


# PARTS

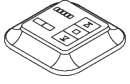
## A. STANDARD PARTS

	<b>SG 3581</b> Hook
	<b>SG 5190</b> Motor 100-240V AC, 1/130, radio receiver
	<b>SG 10815</b> Cover
	<b>SG 10823</b> Belt connector arm
	<b>SG 10824</b> Belt connector pin
	<b>SG 10825</b> Belt
	<b>SG 10836</b> Mask pair stack
	<b>SG 10925</b> Profile
	<b>SG 10926</b> Clamp
	<b>SG 10931</b> Roller
	<b>SG 10933</b> Gear drive set
	<b>SG 10936</b> Overlap arm
	<b>SG 10940</b> Guide return
	<b>SG 10945</b> End stop

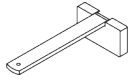
## B. OPTIONAL PARTS

	<b>SG 3012</b> Hook
	<b>SG 3582</b> Hook
	<b>SG 3599</b> Hook
	<b>SG 5192</b> Motor 24V DC, 1/130, radio receiver
	<b>SG 5193</b> Motor 100-240V AC, 1/130, mains controlled
	<b>SG 6004</b> Eyelet
	<b>SG 6349</b> Wave curtain tape
	<b>SG 6363</b> Wave top hemming tape
	<b>SG 6365</b> Wave hanger
	<b>SG 9959</b> Central control unit relay
	<b>SG 10075</b> Lead weight 50 g/m
	<b>SG 10076</b> Fabric weight
	<b>SG 10822</b> Master carrier
	<b>SG 10845</b> Wave master carrier 80 mm

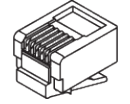
	<b>SG 10854</b> Wave overlap plate
	<b>SG 10856</b> Wave extension
	<b>SG 10867</b> Pan head screw Freedriv M4x16
	<b>SG 10887</b> Wave extension
	<b>SG 10905</b> Wave glider cord 80 mm
	<b>SG 10906</b> Wave glider cord 60 mm
	<b>SG 10924</b> Wave glider support
	<b>SG 10927</b> Hook
	<b>SG 10943</b> Connection bridge
	<b>SG 10946</b> Radio hand held 1 channel
	<b>SG 10947</b> Radio hand held 2+1 channel
	<b>SG 10948</b> Radio hand held 6+1 channel
	<b>SG 10949</b> Radio wall transmitter 1 channel
	<b>SG 10950</b> Radio wall transmitter 2 channel



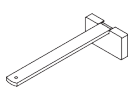
**SG 10951**  
Radio wall transmitter 5+1 channel



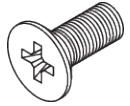
**SG 11213**  
Square Smart Fix 120 mm



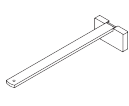
**SG 10952**  
Plug for dry contact RJ 12



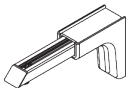
**SG 11214**  
Square Smart Fix 150 mm



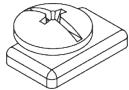
**SG 11127**  
Countersunk head screw M4x10



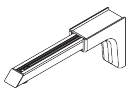
**SG 11215**  
Square Smart Fix 200 mm



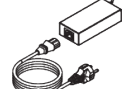
**SG 11154**  
Universal Smart Fix 120 mm



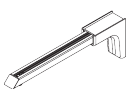
**SG 11295**  
End stop



**SG 11155**  
Universal Smart Fix 150 mm



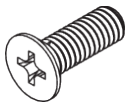
**SG 11414**  
Power supply 24V / 4A including cable EU plug



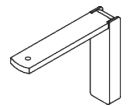
**SG 11156**  
Universal Smart Fix 200 mm



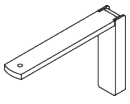
**SG 11415**  
Power supply 24V / 4A including cable CH plug



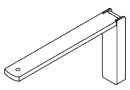
**SG 11158**  
Countersunk head screw M4x12



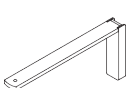
**SG 11201**  
Smart Fix 80 mm



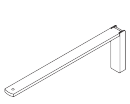
**SG 11202**  
Smart Fix 100 mm



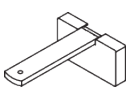
**SG 11203**  
Smart Fix 120 mm



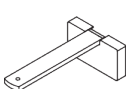
**SG 11204**  
Smart Fix 150 mm



**SG 11205**  
Smart Fix 200 mm



**SG 11211**  
Square Smart Fix 80 mm



**SG 11212**  
Square Smart Fix 100 mm



