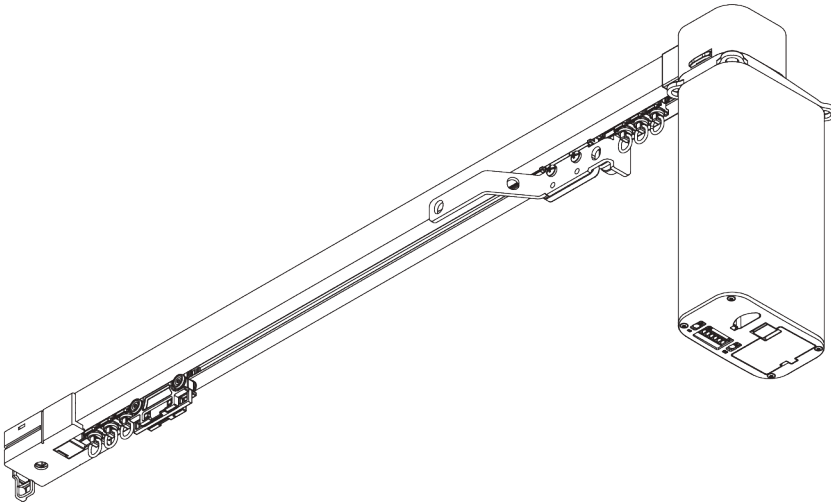
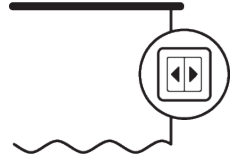


# SG 5600

---



## PRODUCT INFORMATION

- **Operation:** motorised
- **Range:** S - L
- **Fitting:** ceiling, wall, recess
- **Colours:** white RAL 9016, black RAL 9005 or anodised aluminum, special colours possible (recess profile only in white RAL 9016, black RAL 9005 or special color)
- **Fabrics:** refer to Silent Gliss fabric collection

### **Features:**

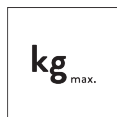
- Quiet, fast and powerful motor
- 2-component (2C) roller technology
- Wave (2C)
- Various control options
- Touch & Go
- Manual override incl. permanent positioning sensor
- Easy programming
- 100-250 AC and / or 24 V DC in one motor
- Bendable
- Bendable recess profile

# SYSTEM SPECIFICATIONS

## A. SYSTEM DIMENSIONS



25 m



65 kg

### Max. curtain weights with 2C rollers / Wave rollers

Up to 12 m: Touch & Go, manual override, auto programming mode

	2 m	4 m	6 m	8 m	10 m	12 m	15 m	18 m	21 m	25 m
	25	45	45	50	65	45	45	45	45	40
	25	45	45	50	65	45	45	45	45	40
	25	35	35	40	35	35	35	32	29	25
	25	35	35	40	35	35	35	32	29	25
	25	30	30	30	25	25	22	19	15	-
	25	30	30	30	25	25	22	19	15	-
	20	20	20	18	16	12	10	-	-	-
	20	20	20	18	16	12	10	-	-	-

(kg max.)

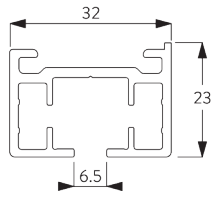
### Max. curtain weights with Wave gliders

	2 m	4 m	6 m	8 m	10 m
	20	25	25	25	20
	20	25	25	25	20
	20	20	20	20	15
	20	20	20	20	15
	20	20	20	15	10
	20	20	20	15	10
	20	20	15	8	-
	20	20	15	8	-

(kg max.)

## B. PROFILE

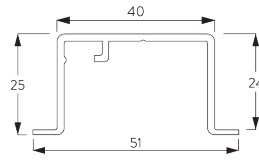
### Profile and bending information



**SG 10850**

Profile

Radius:  $>25$  cm

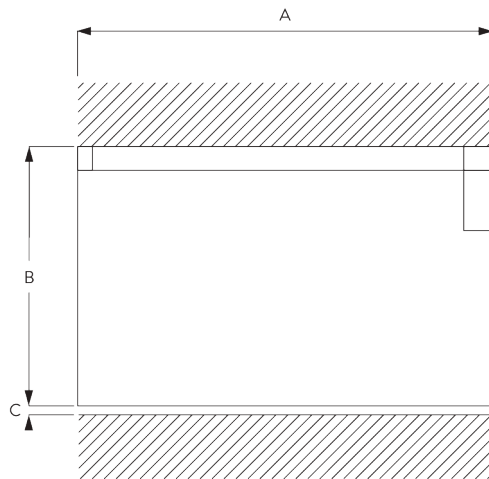


**SG 10862**

Recess profile

Radius: 50 - 75 cm  
 $>75$  cm on request

## C. HOW TO MEASURE



A: System width

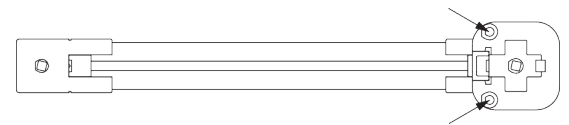
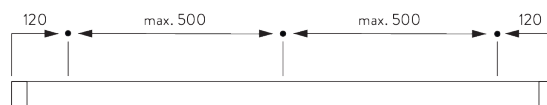
B: System height

C: Distance between floor and fabric

# FITTING

## A. FITTING INFORMATION

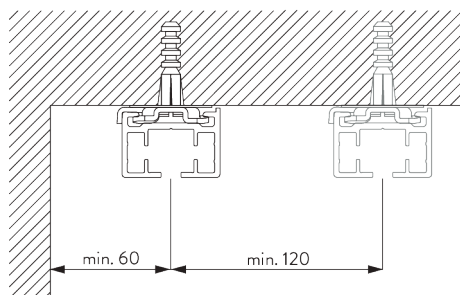
### Fixing points

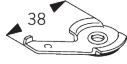


Motor holder to be fixed (ceiling fitting only).

## B. CEILING FITTING

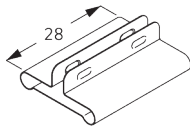
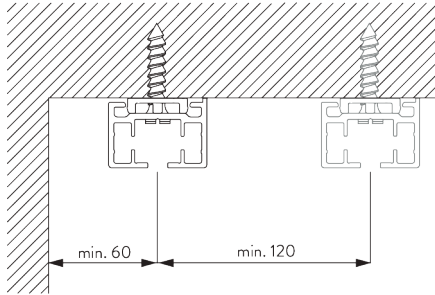
### Clamp SG 3004



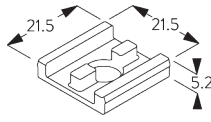


**SG 3004**  
Clamp

**Direct fitting (2C roller only)**



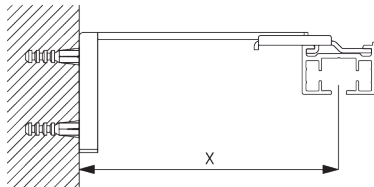
**SG 7002**  
Profile protector



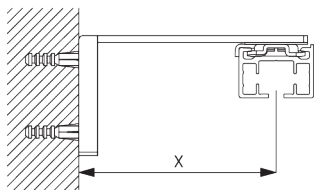
**SG 10865**  
Support plate

**C. WALL FITTING**

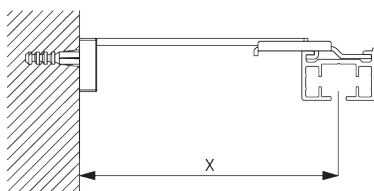
**Smart Fix**



**Smart Fix SG 11200 - SG 11205 and bracket SG 3041:**  
Screw SG 10492 (M4x8) needed.

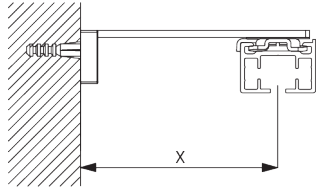


**Smart Fix SG 11200 - SG 11205 and clamp SG 3004:**  
Screw SG 10074 (M4x8) needed.



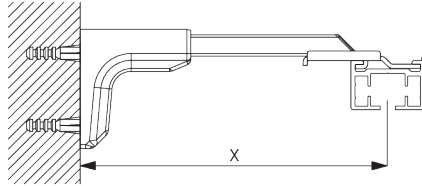
**Square Smart Fix SG 11210 - SG 11215 and bracket SG 3041:**  
Screw SG 10492 (M4x8) needed.

Smart Fix	X mm (SG 3041)	X mm (SG 3004)
SG 11200 / SG 11210	83	
SG 11201 / SG 11211	103	72
SG 11202 / SG 11212	123	92
SG 11203 / SG 11213	143	112
SG 11204 / SG 11214	173	142
SG 11205 / SG 11215	223	192
SG 11154	128-156	102-130
SG 11155	158-186	132-160
SG 11156	208-236	182-210



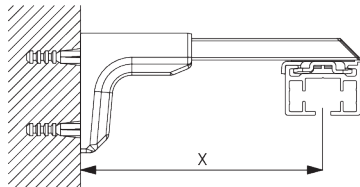
**Square Smart Fix SG 11210 - SG 11215 and clamp  
SG 3004:**

Screw SG 10074 (M4x8) needed.



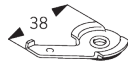
**Universal Smart Fix SG 11154 - SG 11156 and bracket  
SG 3041:**

Screw SG 10407 (M4x10) needed.



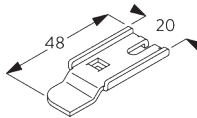
**Universal Smart Fix SG 11154 - SG 11156 and clamp  
SG 3004:**

Screw SG 11158 (M4x12) needed.



**SG 3004**

Clamp



**SG 3041**

Bracket



**SG 10074**

Countersunk head screw  
M4x8



**SG 10407**

Pan head screw M4x10



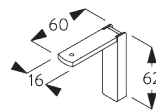
**SG 10492**

Pan head screw M4x8



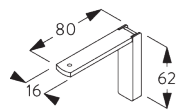
**SG 11158**

Countersunk head screw  
M4x12



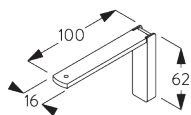
**SG 11200**

Smart Fix 60 mm



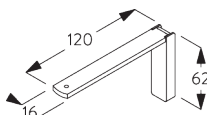
**SG 11201**

Smart Fix 80 mm



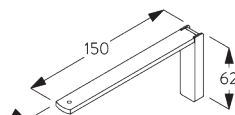
**SG 11202**

Smart Fix 100 mm



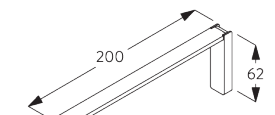
**SG 11203**

Smart Fix 120 mm



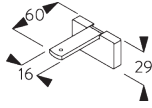
**SG 11204**

Smart Fix 150 mm

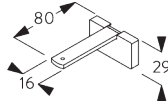


**SG 11205**

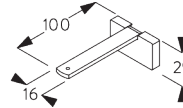
Smart Fix 200 mm



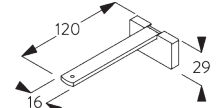
**SG 11210**  
Square Smart Fix 60 mm



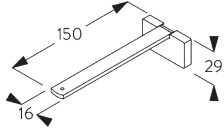
**SG 11211**  
Square Smart Fix 80 mm



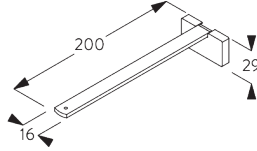
**SG 11212**  
Square Smart Fix 100 mm



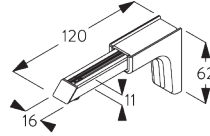
**SG 11213**  
Square Smart Fix 120 mm



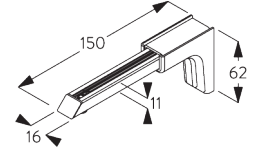
**SG 11214**  
Square Smart Fix 150 mm



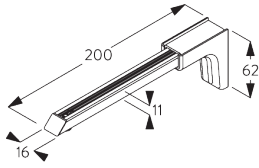
**SG 11215**  
Square Smart Fix 200 mm



**SG 11154**  
Universal Smart Fix 120 mm



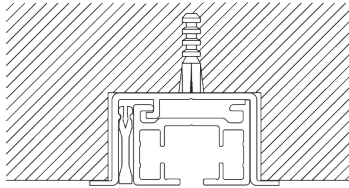
**SG 11155**  
Universal Smart Fix 150 mm



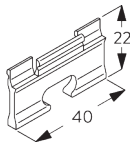
**SG 11156**  
Universal Smart Fix 200 mm

## D. RECESS FITTING

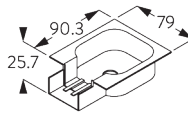
### Recess profile SG 10862



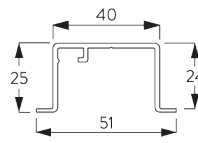
One wedge SG 5118 per fixing point.  
For detailed recess fitting, visit the Silent Gliss website.



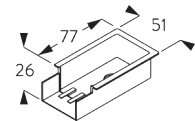
**SG 5118**  
Wedge



**SG 10863**  
Recess mask

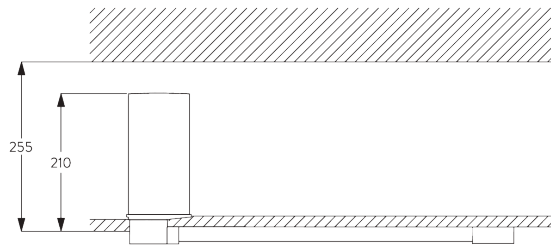


**SG 10862**  
Recess profile



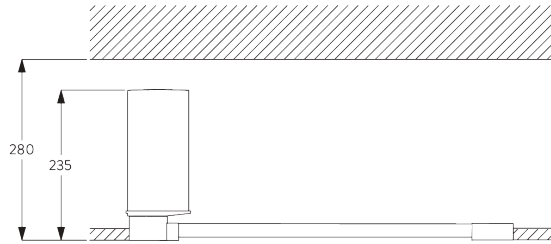
**SG 10864**  
Recess mask

**Motor recessed in suspended ceiling**



Profile mounted with clamp SG 3004.

Access to the ceiling space is necessary for assembly / programming.

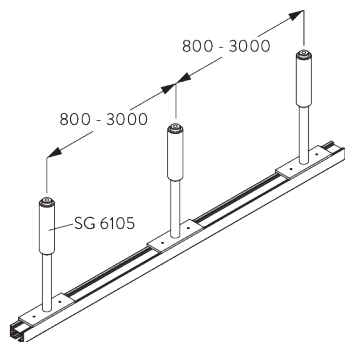


Profile SG 10862 recessed into ceiling.

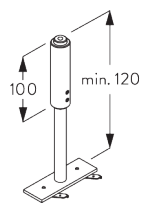
Access to the ceiling space is necessary for assembly / programming.

**E. SUSPENDED FITTING**

**Hanger SG 6105**



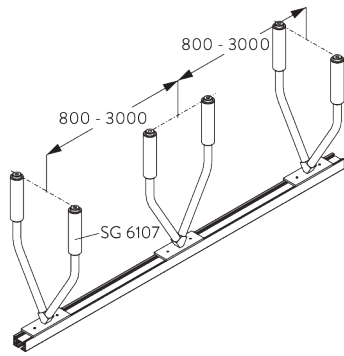
Curtain weight reduces by 30%.



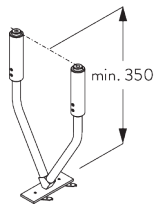
**SG 6105**

Hanger with plate

## V-hanger SG 6107



Curtain weight reduces by 30%.

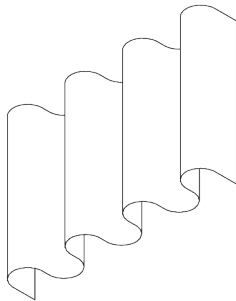


**SG 6107**

V-Hanger with plate

# SYSTEM OPTIONS

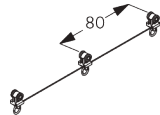
## A. WAVE



SG 6365



SG 10844



SG 10852



SG 10854



SG 10856



SG 10867



SG 10886

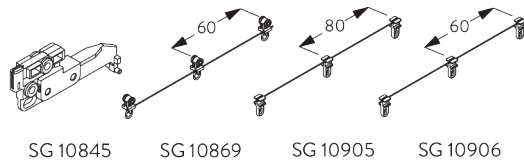


SG 10887

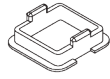
Standard components:

- SG 6365 Wave hanger
- SG 10844 Wave end stop
- SG 10852 Wave 2C roller cord, 80 mm
- SG 10854 Wave overlap arm support
- SG 10856 Wave end stop, belt return
- SG 10867 Panhead screw
- SG 10886 Wave extension
- SG 10887 Wave overlap arm set





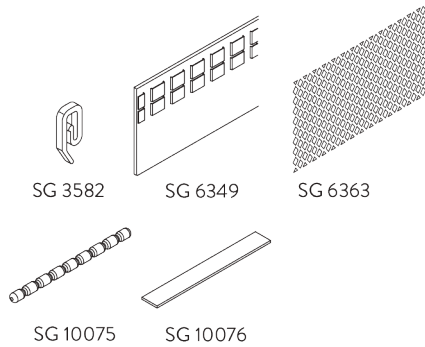
SG 10845 SG 10869 SG 10905 SG 10906



SG 10924

**Optional components:**

- SG 10845 Wave master carrier single stack 80 mm
- SG 10869 Wave 2C roller cord, 60 mm (no single stack)
- SG 10905 Wave glider cord, 80 mm
- SG 10906 Wave glider cord, 60 mm (no single stack)
- SG 10924 Wave glider support

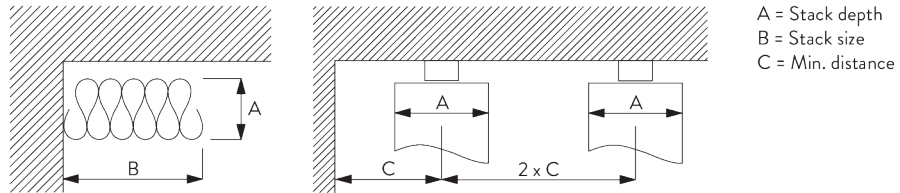


SG 3582 SG 6349 SG 6363  
SG 10075 SG 10076

**Curtain components:**

- SG 3582 Hook
- SG 6349 Wave curtain tape
- SG 6363 Wave top hemming tape
- SG 10075 Lead weight 50 gr/m
- SG 10076 Fabric weight

**Wave stack depth - 2C roller / glider cord (standard components)**



A = Stack depth  
B = Stack size  
C = Min. distance

Roller / glider cord SG 10852 / 10905	Pockets between hooks	Approx. curtain fullness	Stack depth A	Stack size B*	Min distance C
80	6	~2.1	140	210 per metre of track	90
80	7	~2.3	160	210 per metre of track	100

Roller / glider cord SG 10869 / 10906	Pockets between hooks	Approx. curtain fullness	Stack depth A	Stack size B*	Min distance C
60	4	~2.1	100	260 per metre of track	70
60	5	~2.3	120	260 per metre of track	80

\*Stack size B plus 190 mm for each curtain stack!

# MOTOR & CONTROLS

## A. MOTOR FEATURES

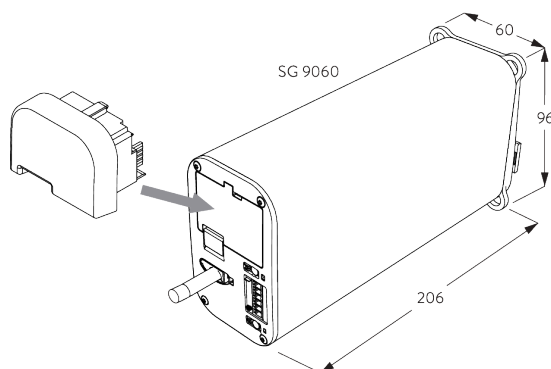
Motor	SG 9060
<b>Motor Features</b>	
Soft start / stop	●
Touch & Go	●
Manual Override	●
Modular radio system (optional)	●
Electronic end-stop	●
Electronic revolution counter (unlimited revolution)	●
Two intermediate positions possible	●
Parallel wiring possible without additional relays	●
High-end DC motor with brushless technology	●
Permanent positioning sensor (even without power)	●
100 - 250 V AC and / or 24 V DC in one motor	●
Cable connectable with plug into motor	●
IP class	IP 40
<b>Control Features</b>	
Mains power control	●
Dry contact control	●
Dry contact and / or SG Control L (with radio module)	●
SG Control L (with radio module)	●
Smart by Silent Gliss (with smart module)	●
Suitable for all common home automation systems (with suitable interface)	●

## B. MOTOR SPECIFICATIONS

See website for wiring diagram.

Motor	Motor dimensions	Voltage AC	Voltage DC	Current	Frequency	System speed / sec	Frequency receiver
SG 9060	L 206 x W 60 x D 96	100 - 250 V AC	24 V DC	1.3 - 0.5 A	50 - 60 Hz	21 cm / sec	-
SG 9060 w/ SG Control L	L 226 x W 60 x D 96	100 - 250 V AC	24 V DC	1.3 - 0.5 A	50 - 60 Hz	21 cm / sec	868/915 MHz
SG 9060 w/ Smart by SG	L 226 x W 60 x D 96	100 - 250 V AC	24 V DC	1.3 - 0.5 A	50 - 60 Hz	21 cm / sec	Smart by SG

## C. MOTOR DIMENSIONS / MODULES



Motor SG 9060 can be equipped with following module:

- SG 9063 Radio module SG Control L
- SG 11270 Smart module

See catalogue "controls" for details.

**D. OPERATING  
METHODS**

See catalogue "controls" for details.

Wall switch



System can be operated by fixed wall switch.

SG Control L



Various radio hand-held and wall transmitters available.



Silent Gliss Move App.

Smart by Silent Gliss



Open designed two-way communication system which allows to flawlessly integrate products with most major building management systems. Smart module SG 11270 required.



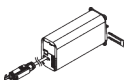
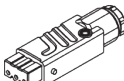
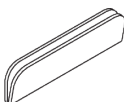
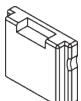
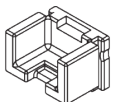
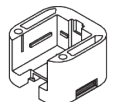
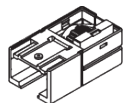
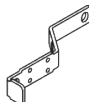

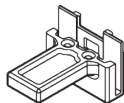
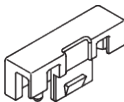
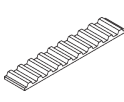
**E. WIRING  
DIAGRAMS**

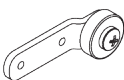
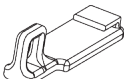
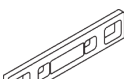
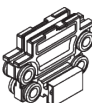

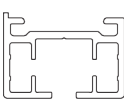
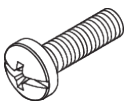


Refer to Silent Gliss website.


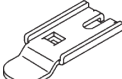

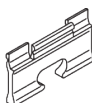

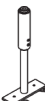
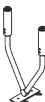


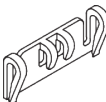
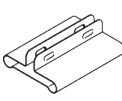
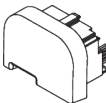
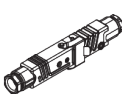
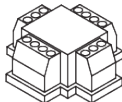
# PARTS

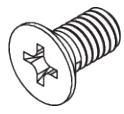
## A. STANDARD PARTS

	<b>SG 3004</b> Clamp
	<b>SG 3581</b> Hook
	<b>SG 9060</b> Motor 100-250V AC & 24V DC
	<b>SG 9917</b> Hirschmann portable socket-outlet STAK 3 N
	<b>SG 10725</b> Programming distance holder
	<b>SG 10815</b> Cover
	<b>SG 10816</b> Cover
	<b>SG 10817</b> Motor holder
	<b>SG 10819</b> Belt return
	<b>SG 10821</b> Overlap arm
	<b>SG 10822</b> Master carrier
	<b>SG 10823</b> Belt connector arm
	<b>SG 10824</b> Belt connector pin
	<b>SG 10825</b> Belt

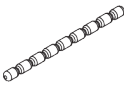
	<b>SG 10826</b> Overlap arm support
	<b>SG 10836</b> Mask pair stack
	<b>SG 10837</b> Pilot runner
	<b>SG 10838</b> Pilot runner
	<b>SG 10840</b> 2C roller
	<b>SG 10850</b> Profile
	<b>SG 10923</b> Pan head screw Freedriv M4x12

## B. OPTIONAL PARTS

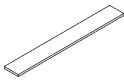
	<b>SG 3012</b> Hook
	<b>SG 3041</b> Bracket
	<b>SG 3582</b> Hook
	<b>SG 5118</b> Wedge
	<b>SG 6005</b> Hook
	<b>SG 6105</b> Hanger with plate
	<b>SG 6107</b> V-Hanger with plate
	<b>SG 6349</b> Wave curtain tape
	<b>SG 6363</b> Wave top hemming tape
	<b>SG 6365</b> Wave hanger
	<b>SG 7002</b> Profile protector
	<b>SG 9063</b> Radio module type L
	<b>SG 9916</b> Hirschmann plug set
	<b>SG 9959</b> Central control unit relay



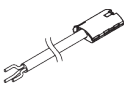
**SG 10074**  
Countersunk head screw M4x8



**SG 10075**  
Lead weight 50 g/m



**SG 10076**  
Fabric weight



**SG 10293**  
Cable 230V AC, 2/3/5/10 m



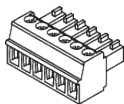
**SG 10300**  
Radio hand held 1 channel



**SG 10302**  
Radio hand held 5+1 channel



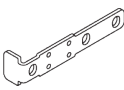
**SG 10303**  
Radio hand held 10+2+1 channel



**SG 10714**  
Plug 6-pin, MC 1.5/6-ST-3.81



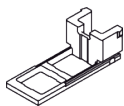
**SG 10804**  
Radio hand held 15+5+1 channel



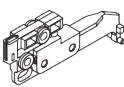
**SG 10820**  
Overlap arm



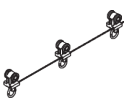
**SG 10831**  
Connection bridge



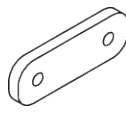
**SG 10844**  
Wave end stop



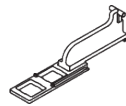
**SG 10845**  
Wave master carrier 80 mm



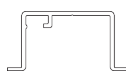
**SG 10852**  
Wave 2C roller cord 80 mm



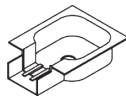
**SG 10854**  
Wave overlap plate



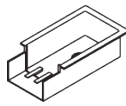
**SG 10856**  
Wave extension



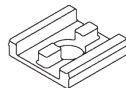
**SG 10862**  
Recess profile



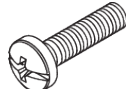
**SG 10863**  
Recess mask



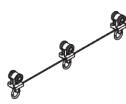
**SG 10864**  
Recess mask



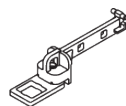
**SG 10865**  
Support plate



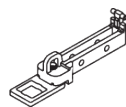
**SG 10867**  
Pan head screw Freedriv M4x16



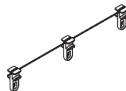
**SG 10869**  
Wave 2C roller cord 60 mm



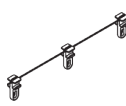
**SG 10886**  
Wave extension



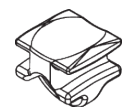
**SG 10887**  
Wave extension



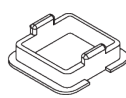
**SG 10905**  
Wave glider cord 80 mm



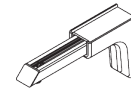
**SG 10906**  
Wave glider cord 60 mm



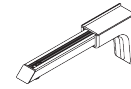
**SG 10921**  
Glider for direct sewing



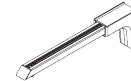
**SG 10924**  
Wave glider support



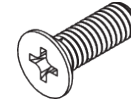
**SG 11154**  
Universal Smart Fix 120 mm



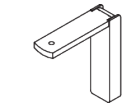
**SG 11155**  
Universal Smart Fix 150 mm



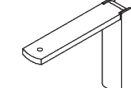
**SG 11156**  
Universal Smart Fix 200 mm



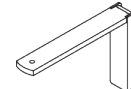
**SG 11158**  
Countersunk head screw M4x12



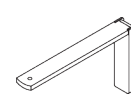
**SG 11200**  
Smart Fix 60 mm



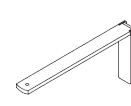
**SG 11201**  
Smart Fix 80 mm



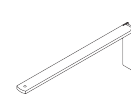
**SG 11202**  
Smart Fix 100 mm



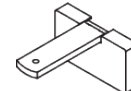
**SG 11203**  
Smart Fix 120 mm



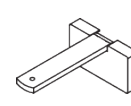
**SG 11204**  
Smart Fix 150 mm



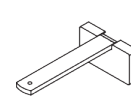
**SG 11205**  
Smart Fix 200 mm



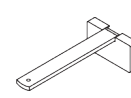
**SG 11210**  
Square Smart Fix 60 mm



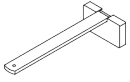
**SG 11211**  
Square Smart Fix 80 mm



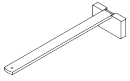
**SG 11212**  
Square Smart Fix 100 mm



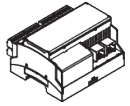
**SG 11213**  
Square Smart Fix 120 mm



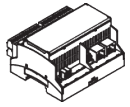
**SG 11214**  
Square Smart Fix 150 mm



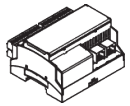
**SG 11215**  
Square Smart Fix 200 mm



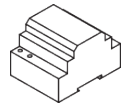
**SG 11260**  
Gateway Cedia



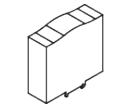
**SG 11261**  
Gateway KNX



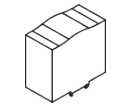
**SG 11262**  
Expansion unit



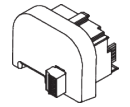
**SG 11264**  
Power supply 24V DC, 3.8A DIN Rail



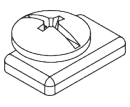
**SG 11265**  
Power supply 24V DC, 5A DIN Rail



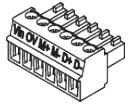
**SG 11266**  
Power supply 24V DC, 10A DIN Rail



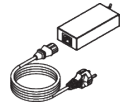
**SG 11270**  
Smart module



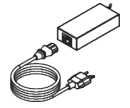
**SG 11295**  
End stop



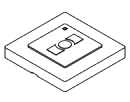
**SG 11325**  
Smart plug 6-pin, MC 1.5/6 ST-3.81



**SG 11414**  
Power supply 24V / 4A including cable EU plug



**SG 11415**  
Power supply 24V / 4A including cable CH plug



**SG 11480**  
Radio wall transmitter 1 channel



**SG 11490**  
Radio wall transmitter 5+1 channel



