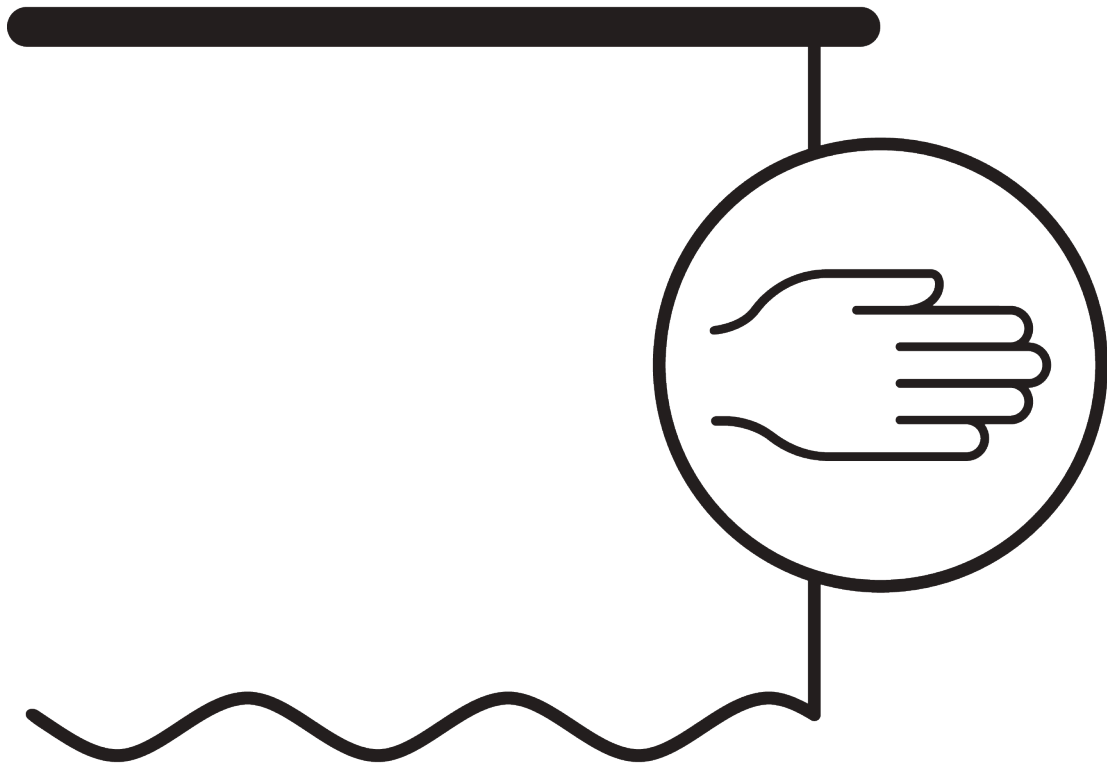


HAND OPERATED CURTAIN TRACK SYSTEMS



GENERAL NOTES

Dimensions

- Measurements are in mm except where indicated.
- Max. kg relates to fabric incl. accessories.
- Stack size depends on curtain make-up and fabric thickness.
- Distance between gliders max. 80 mm / distance between rollers max. 100 mm.
- Recommended distance floor / fabric: 20 mm.
- In order to determine system height (B), the smallest room height must be taken into account.































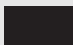






Fitting



























- Installation by qualified fitter only.
- Number of brackets and fitting positions / fixing points vary depending on fitting surface, system weight, fabric make-up, screw / fixing type and obstacles.
- Qualified fitter must use appropriate screws / fixings for each situation.
- Profile lip if applicable to be installed to room side.

Child Safety

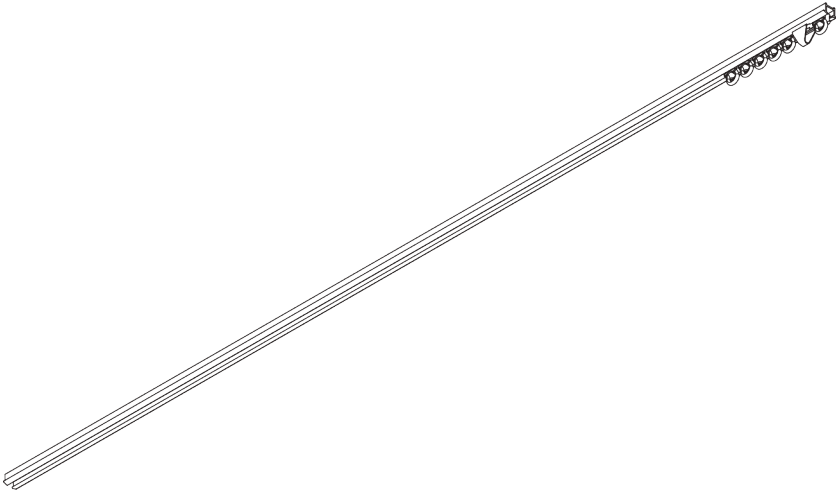
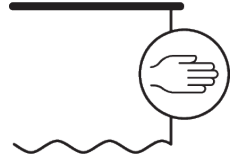
- All relevant Silent Gliss systems correspond to child safety EN 13120.
- All parties involved must comply with EN 13120.

APPLICATION CHART

<u>PAGE</u>	<u>SYSTEM</u>	<u>OPERATION</u>	<u>DIMENSION</u>	<u>DESIGN</u>	<u>WAVE</u>	kg _{max.}
5	SG 1011		S			
9	SG 1015		S			
15	SG 1020		S			10 kg
19	SG 1032		S			
23	SG 1060		S			
27	SG 1070		S			
31	SG 1080		S			
39	SG 3600					10 kg
43	SG 6010		S - M			
51	SG 6011		S - M			
55	SG 6026		S			
59	SG 6035		M - L			
65	SG 6170		M - L			
71	SG 6243		S - M			
77	SG 6244		M - L			
81	SG 6250		S - M			

<u>PAGE</u>	<u>SYSTEM</u>	<u>OPERATION</u>	<u>DIMENSION</u>	<u>DESIGN</u>	<u>WAVE</u>	kg _{max.}
87	SG 6293		M - L			
91	SG 6380		M - L			
99	SG 6465		S - M			
105	SG 6475		S - M			
111	SG 6815		S - M			
119	SG 6820		S - M			10 kg
125	SG 6840		M - L			
135	SG 6870		M - L			
145	SG 6970		M - L			

SG 1011



PRODUCT INFORMATION

- **Operation:** hand
- **Range:** S
- **Fitting:** recess (center SG 7550)
- **Colours:** white RAL 9016 or anodised aluminum, special colours possible
- **Fabrics:** refer to Silent Gliss fabric collection

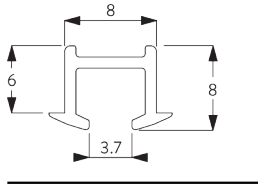
Features:

- Pre-drilled profile
- Bendable

SYSTEM SPECIFICATIONS

A. PROFILE

Profile and bending information

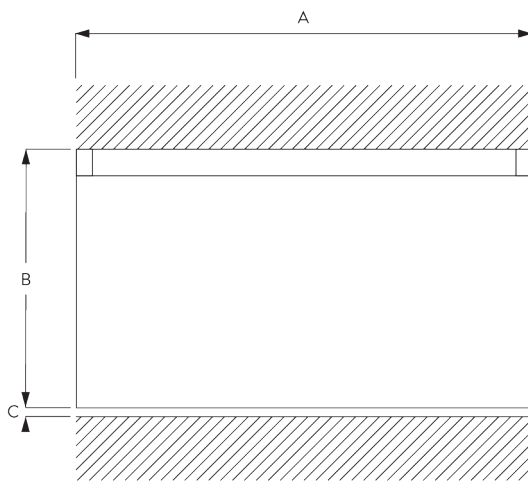


SG 1011p

Profile

Radius:
✓ 6 cm, 10 cm

B. HOW TO MEASURE



A: System width

B: System height

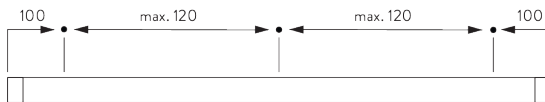
C: Distance between floor and fabric

FITTING

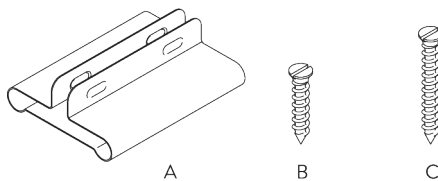
A. FITTING INFORMATION

For detailed fitting information, visit the [Silent Gliss website](https://www.silentgliss.com).

Fixing points



Profile Protector



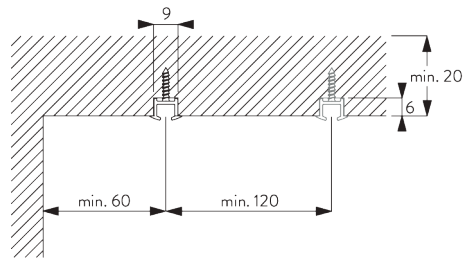
A: Profile Protector SG 7002

B: Special screw SG 3019 / 12 mm

C: Special screw SG 3025 / 18 mm

B. RECESS FITTING


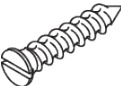




Direct into wood



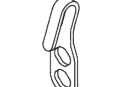
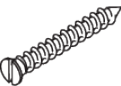
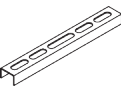




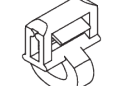
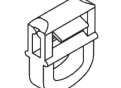

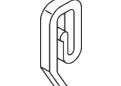
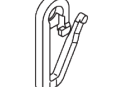
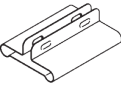
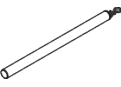
Recess channel: 6 x 9 mm

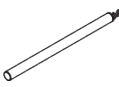
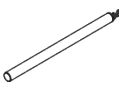
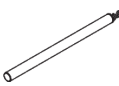
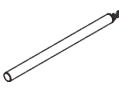

PARTS

A. STANDARD PARTS

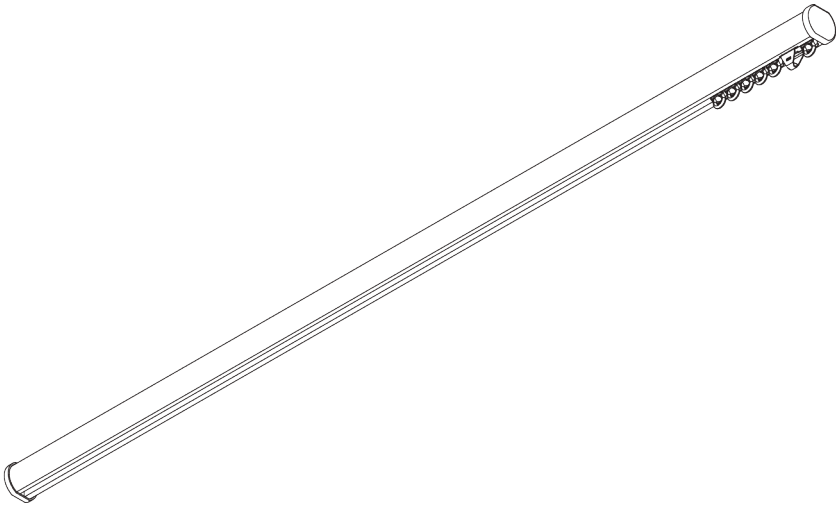
	SG 1011p Profile
	SG 3019 Special screw 12 mm
	SG 3070 End stop
	SG 3085 Spring stop
	SG 3533 Glider
	SG 3599 Hook

B. OPTIONAL PARTS

	SG 3012 Hook
	SG 3025 Special screw 18 mm
	SG 3063 Connection bridge
	SG 3511 Glider
	SG 3534 Glider 3533 on strip
	SG 3535 Glider
	SG 3537 Glider
	SG 3547 Glider
	SG 3548 Glider
	SG 3549 Click glider with hook
	SG 3582 Hook
	SG 3598 Eyelet
	SG 7002 Profile protector
	SG 10430 Draw rod 50 cm

	SG 10431 Draw rod 75 cm
	SG 10432 Draw rod 100 cm
	SG 10433 Draw rod 125 cm
	SG 10434 Draw rod 150 cm
	SG 11335 End stop

SG 1015



PRODUCT INFORMATION

- **Operation:** hand
- **Range:** S
- **Fitting:** ceiling, wall
- **Colours:** white RAL 9016 or anodised aluminum, special colours possible
- **Fabrics:** refer to Silent Gliss fabric collection

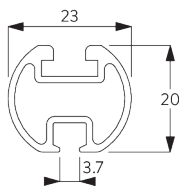
Features:

- Bendable

SYSTEM SPECIFICATIONS

A. PROFILE

Profile and bending information

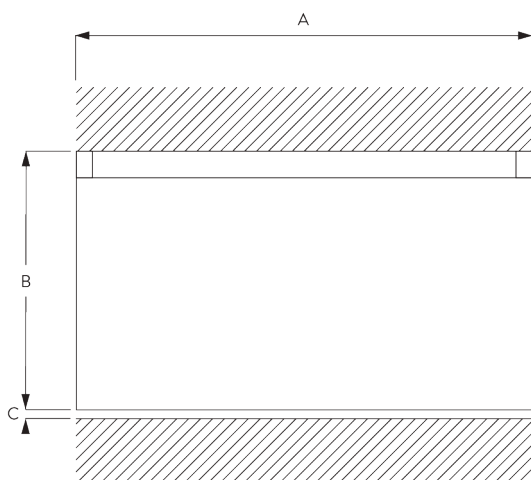


SG 1003p

Profile

Radius:
✓ 15 cm, 20 cm, >25 cm

B. HOW TO MEASURE



A: System width

B: System height

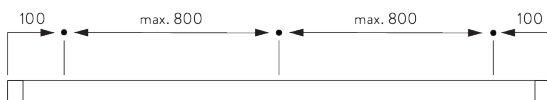
C: Distance between floor and fabric

FITTING

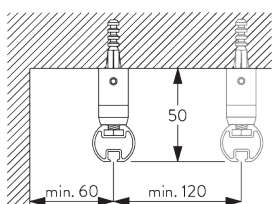
A. FITTING INFORMATION

Fixing points

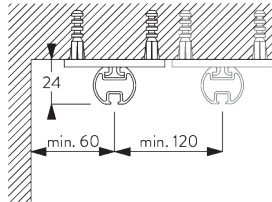
For detailed fitting information, visit the [Silent Gliss website](#).



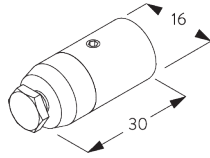
B. CEILING FITTING



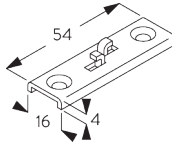
Mini hanger SG 6175



Bracket SG 6124



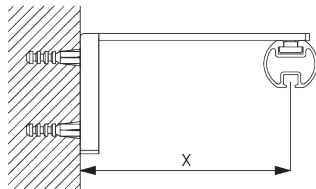
SG 6175
Mini hanger



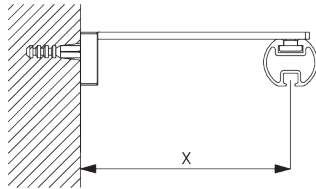
SG 6124
Bracket

C. WALL FITTING

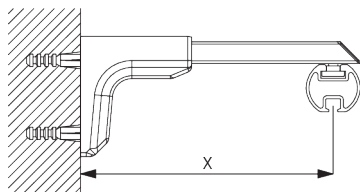
Smart Fix



Smart Fix with slot SG 11206 - SG 11208:
Screw SG 10492 (M4x8) needed.

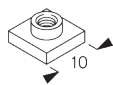


Square Smart Fix with slot SG 11216 - SG 11218:
Screw SG 10492 (M4x8) needed.



Universal Smart Fix SG 11154 - SG 11156:
Screw SG 11131 (M4x6) needed.

Smart Fix	X mm
SG 11206 / SG 11216	33-51
SG 11207 / SG 11217	53-71
SG 11208 / SG 11218	73-91
SG 11154	102-130
SG 11155	132-160
SG 11156	182-210



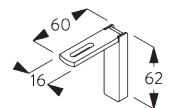
SG 6117
Slot nut



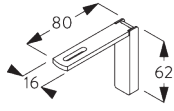
SG 10492
Pan head screw M4x8



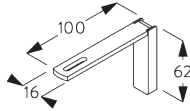
SG 11131
Pan head screw with flange
M4x6



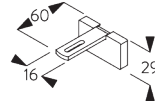
SG 11206
Smart Fix with slot 60 mm
M4x6



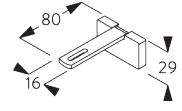
SG 11207
Smart Fix with slot 80 mm



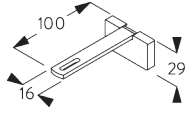
SG 11208
Smart Fix with slot 100 mm



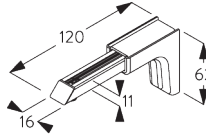
SG 11216
Square Smart Fix with slot 60 mm



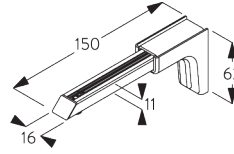
SG 11217
Square Smart Fix with slot 80 mm



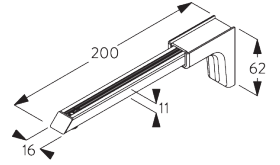
SG 11218
Square Smart Fix with slot 100 mm



SG 11154
Universal Smart Fix 120 mm




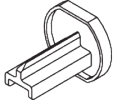

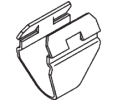


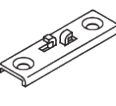
SG 11155
Universal Smart Fix 150 mm








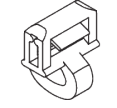
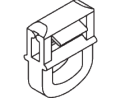


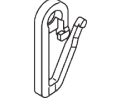
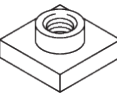
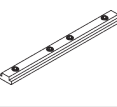
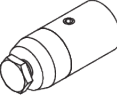

SG 11156
Universal Smart Fix 200 mm

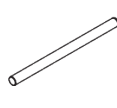
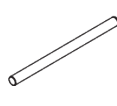
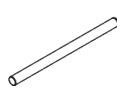
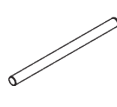
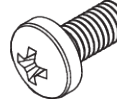
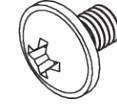
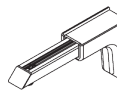
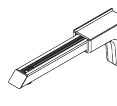
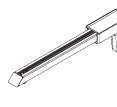
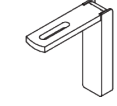
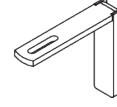
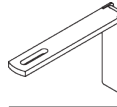
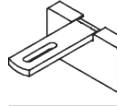
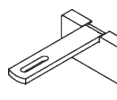
PARTS

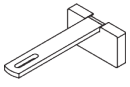
A. STANDARD PARTS

	SG 1003p Profile
	SG 3014 End cover
	SG 3070 End stop
	SG 3085 Spring stop
	SG 3533 Glider
	SG 3599 Hook
	SG 6124 Bracket

B. OPTIONAL PARTS

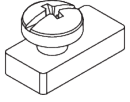
	SG 3012 Hook
	SG 3511 Glider
	SG 3534 Glider 3533 on strip
	SG 3535 Glider
	SG 3537 Glider
	SG 3547 Glider
	SG 3548 Glider
	SG 3549 Click glider with hook
	SG 3582 Hook
	SG 3598 Eyelet
	SG 6117 Slot nut
	SG 6173 Connection bridge
	SG 6175 Mini hanger
	SG 10430 Draw rod 50 cm

	SG 10431 Draw rod 75 cm
	SG 10432 Draw rod 100 cm
	SG 10433 Draw rod 125 cm
	SG 10434 Draw rod 150 cm
	SG 10492 Pan head screw M4x8
	SG 11131 Pan head screw with flange M4x6
	SG 11154 Universal Smart Fix 120 mm
	SG 11155 Universal Smart Fix 150 mm
	SG 11156 Universal Smart Fix 200 mm
	SG 11206 Smart Fix with slot 60 mm
	SG 11207 Smart Fix with slot 80 mm
	SG 11208 Smart Fix with slot 100 mm
	SG 11216 Square Smart Fix with slot 60 mm
	SG 11217 Square Smart Fix with slot 80 mm



SG 11218

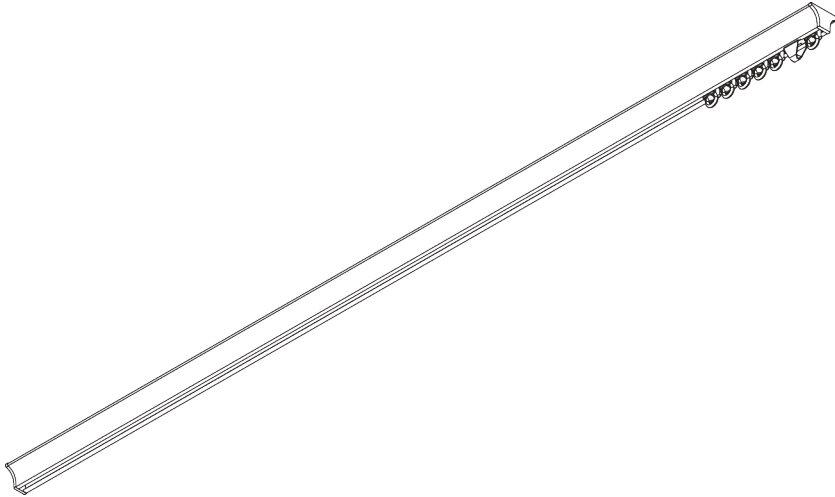
Square Smart Fix with slot 100 mm



SG 11335

End stop

SG 1020



PRODUCT INFORMATION

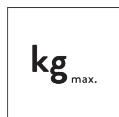
- **Operation:** hand
- **Range:** S
- **Fitting:** ceiling
- **Colours:** white RAL 9016 or anodised aluminum, special colours possible
- **Fabrics:** refer to Silent Gliss fabric collection

Features:

- Symmetrical funnel design
- Bendable

SYSTEM SPECIFICATIONS

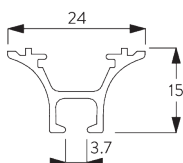
A. SYSTEM DIMENSIONS



10 kg

B. PROFILE

Profile and bending information



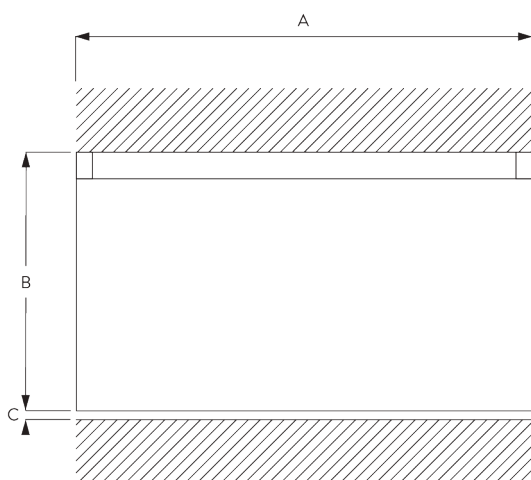
SG 6822

Profile Funnel



Radius: >27 cm

C. HOW TO MEASURE



A: System width

B: System height

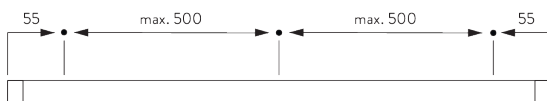
C: Distance between floor and fabric

FITTING

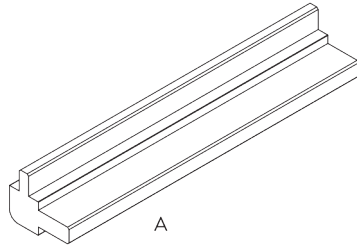
A. FITTING INFORMATION

For detailed fitting information, visit the [Silent Gliss website](#).

Fixing points



Fitting Tool

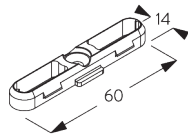
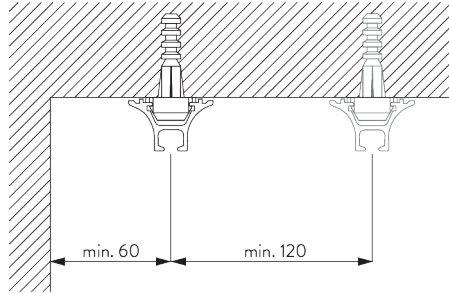


A: Funnel fitting tool SG 6827

For fitting / removing of the funnel profile.

B. CEILING FITTING

Clip SG 11236



SG 11236

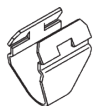
Clip

PARTS

A. STANDARD PARTS



SG 3070
End stop



SG 3085
Spring stop



SG 3533
Glider



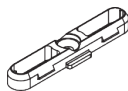
SG 3599
Hook



SG 6822
Profile Funnel



SG 6824
End cover



SG 11236
Clip

B. OPTIONAL PARTS



SG 3012
Hook



SG 3062
Connection bridge



SG 3511
Glider



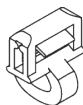
SG 3534
Glider 3533 on strip



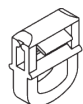
SG 3535
Glider



SG 3537
Glider



SG 3547
Glider



SG 3548
Glider



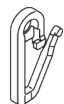
SG 3549
Click glider with hook



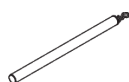
SG 3555
Hook



SG 3582
Hook



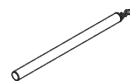
SG 3598
Eyelet



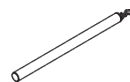
SG 10430
Draw rod 50 cm



SG 10431
Draw rod 75 cm



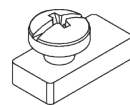
SG 10432
Draw rod 100 cm



SG 10433
Draw rod 125 cm

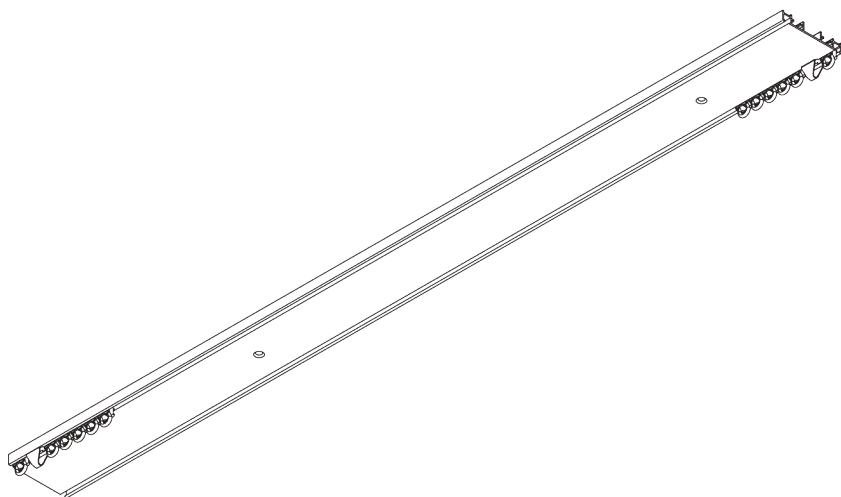
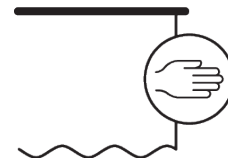


SG 10434
Draw rod 150 cm



SG 11335
End stop

SG 1032



PRODUCT INFORMATION

- **Operation:** hand
- **Range:** S
- **Fitting:** ceiling
- **Colours:** white RAL 9016 or anodised aluminum, special colours possible
- **Fabrics:** refer to Silent Gliss fabric collection

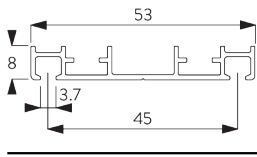
Features:

- Pre-drilled two channel profile

SYSTEM SPECIFICATIONS

A. PROFILE

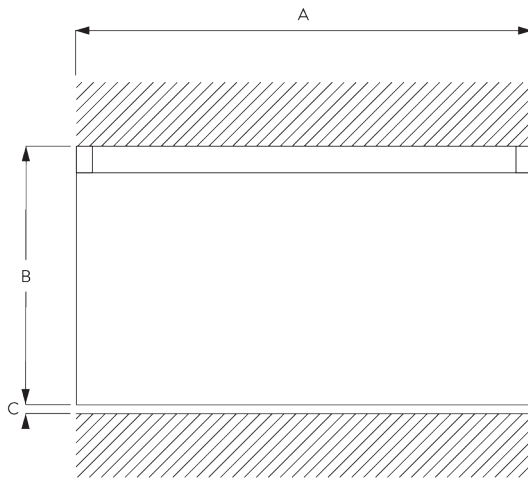
Profile information



SG 1032p

Profile

B. HOW TO MEASURE



A: System width

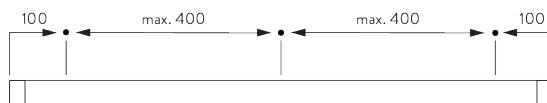
B: System height

C: Distance between floor and fabric

FITTING

A. FITTING INFORMATION

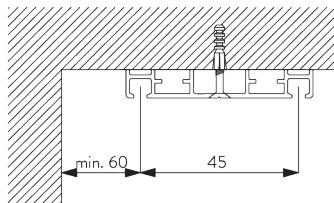
Fixing points



For detailed fitting information, visit the [Silent Gliss website](#).



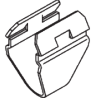


B. CEILING FITTING

Direct fitting


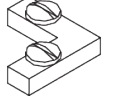


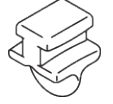


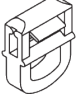



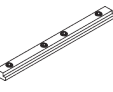

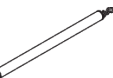





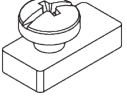
PARTS

A. STANDARD PARTS

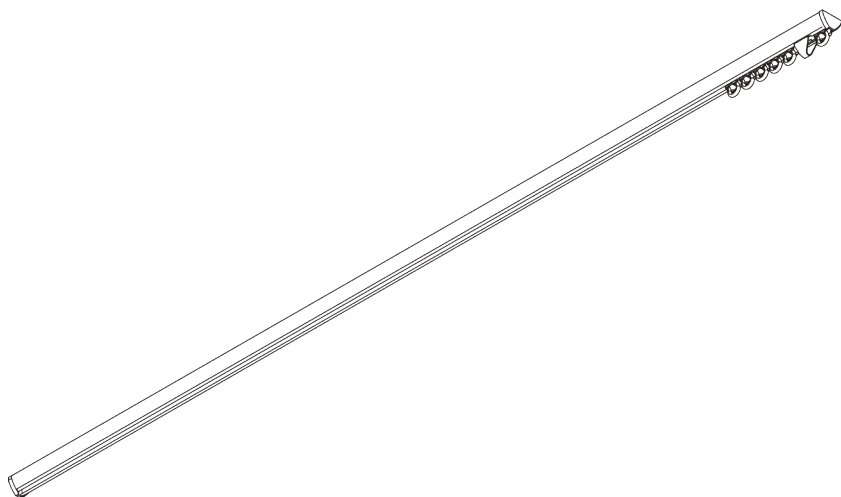
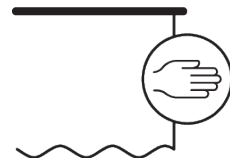
	SG 1032p Profile
	SG 3070 End stop
	SG 3085 Spring stop
	SG 3533 Glider
	SG 3599 Hook

B. OPTIONAL PARTS

	SG 3012 Hook
	SG 3177 Corner connector
	SG 3511 Glider
	SG 3534 Glider 3533 on strip
	SG 3535 Glider
	SG 3537 Glider
	SG 3547 Glider
	SG 3548 Glider
	SG 3549 Click glider with hook
	SG 3582 Hook
	SG 3598 Eyelet
	SG 6173 Connection bridge
	SG 10430 Draw rod 50 cm
	SG 10431 Draw rod 75 cm

	SG 10432 Draw rod 100 cm
	SG 10433 Draw rod 125 cm
	SG 10434 Draw rod 150 cm
	SG 11335 End stop

SG 1060



PRODUCT INFORMATION

- **Operation:** hand
- **Range:** S
- **Fitting:** ceiling
- **Colours:** white RAL 9016 or anodised aluminum, special colours possible
- **Fabrics:** refer to Silent Gliss fabric collection

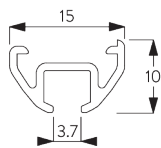
Features:

- Bendable

SYSTEM SPECIFICATIONS

A. PROFILE

Profile and bending information

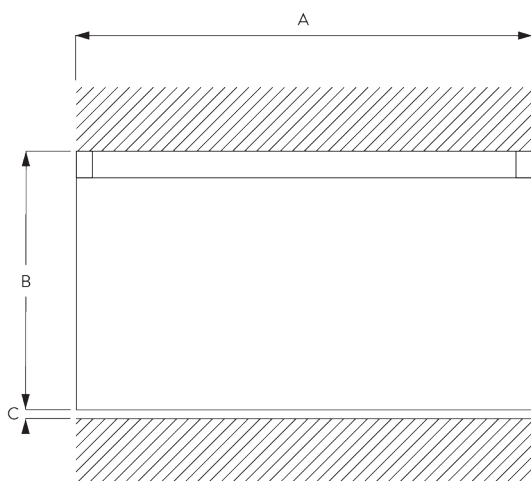


SG 1060p

Profile

Radius:
✓ 6 cm, 10 cm, 12 cm,
20 cm, >30 cm

B. HOW TO MEASURE



A: System width

B: System height

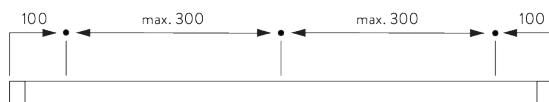
C: Distance between floor and fabric

FITTING

A. FITTING INFORMATION

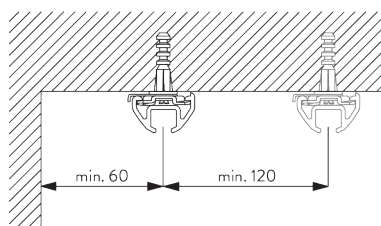
Fixing points

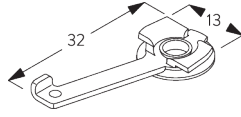
For detailed fitting information, visit the [Silent Gliss website](#).



B. CEILING FITTING

Clamp SG 3060




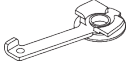
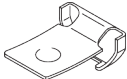

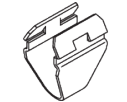




SG 3060


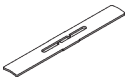




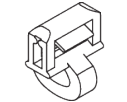
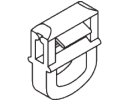



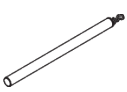
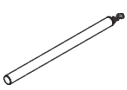
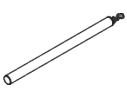
Clamp

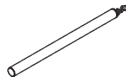
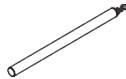
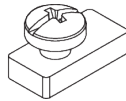
PARTS

A. STANDARD PARTS

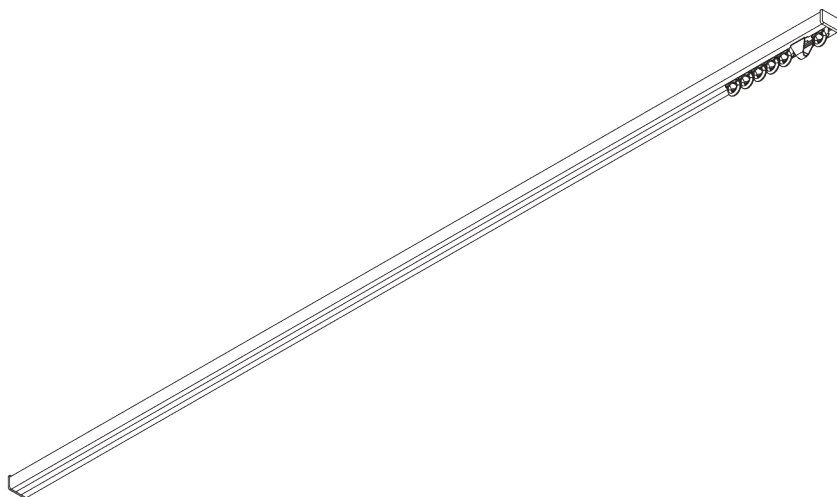
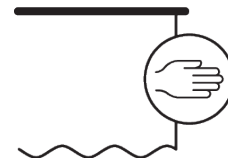
	SG 1060p Profile
	SG 3060 Clamp
	SG 3061 End cover
	SG 3070 End stop
	SG 3085 Spring stop
	SG 3533 Glider
	SG 3599 Hook

B. OPTIONAL PARTS

	SG 3012 Hook
	SG 3062 Connection bridge
	SG 3511 Glider
	SG 3534 Glider 3533 on strip
	SG 3535 Glider
	SG 3537 Glider
	SG 3547 Glider
	SG 3548 Glider
	SG 3549 Click glider with hook
	SG 3582 Hook
	SG 3598 Eyelet
	SG 10430 Draw rod 50 cm
	SG 10431 Draw rod 75 cm
	SG 10432 Draw rod 100 cm

	SG 10433 Draw rod 125 cm
	SG 10434 Draw rod 150 cm
	SG 11335 End stop

SG 1070



PRODUCT INFORMATION

- **Operation:** hand
- **Range:** S
- **Fitting:** ceiling
- **Colours:** white RAL 9016 or anodised aluminum, special colours possible
- **Fabrics:** refer to Silent Gliss fabric collection

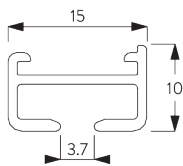
Features:

- Bendable

SYSTEM SPECIFICATIONS

A. PROFILE

Profile and bending information

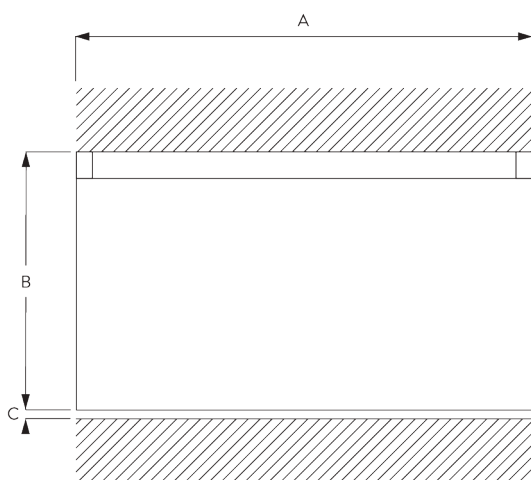


SG 1071

Profile

Radius:
8 cm, 12 cm, 16 cm,
>25 cm

B. HOW TO MEASURE



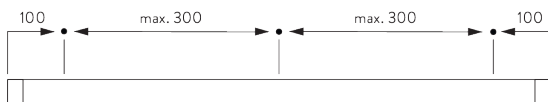
A: System width
B: System height
C: Distance between floor and fabric

FITTING

A. FITTING INFORMATION

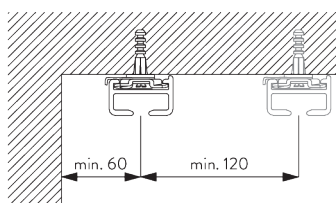
For detailed fitting information, visit the [Silent Gliss website](#).

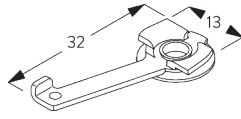
Fixing points



B. CEILING FITTING

Clamp SG 3060



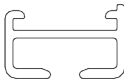
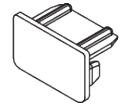
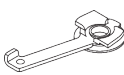

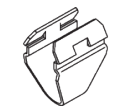




SG 3060







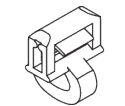
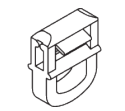


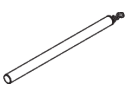

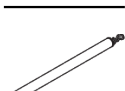

Clamp

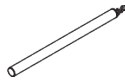
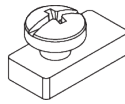
PARTS

A. STANDARD PARTS

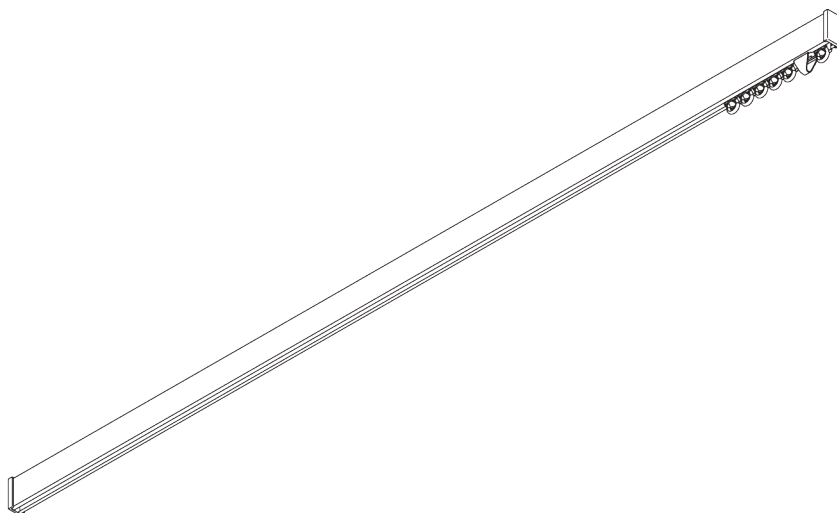
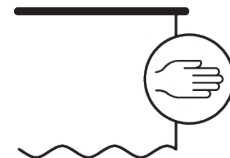
	SG 1071 Profile
	SG 1072 End cover
	SG 3060 Clamp
	SG 3070 End stop
	SG 3085 Spring stop
	SG 3533 Glider
	SG 3599 Hook

B. OPTIONAL PARTS

	SG 3012 Hook
	SG 3062 Connection bridge
	SG 3511 Glider
	SG 3534 Glider 3533 on strip
	SG 3535 Glider
	SG 3537 Glider
	SG 3547 Glider
	SG 3548 Glider
	SG 3549 Click glider with hook
	SG 3582 Hook
	SG 10430 Draw rod 50 cm
	SG 10431 Draw rod 75 cm
	SG 10432 Draw rod 100 cm
	SG 10433 Draw rod 125 cm

	SG 10434 Draw rod 150 cm
	SG 11335 End stop

SG 1080



PRODUCT INFORMATION

- **Operation:** hand
- **Range:** S
- **Fitting:** ceiling, wall, suspended
- **Colours:** white RAL 9016, black RAL 9005 or anodised aluminum, special colours possible
- **Fabrics:** refer to Silent Gliss fabric collection

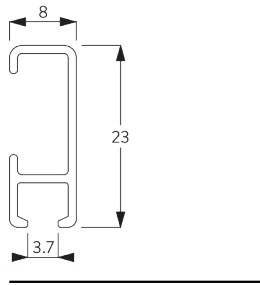
Features:

- Bendable

SYSTEM SPECIFICATIONS

A. PROFILE

Profile and bending information

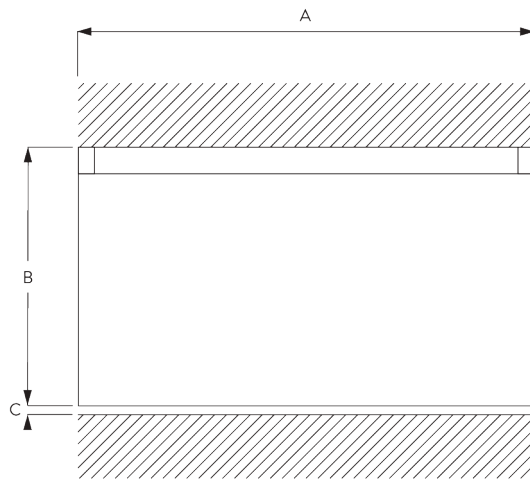


SG 1080p

Profile

Radius:
✓ 6 cm, 10 cm, >30 cm

B. HOW TO MEASURE



A: System width

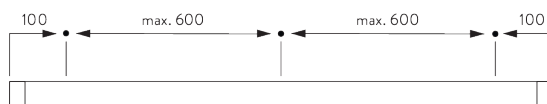
B: System height

C: Distance between floor and fabric

FITTING

A. FITTING INFORMATION

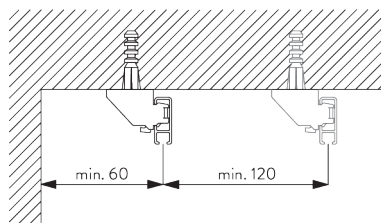
Fixing points

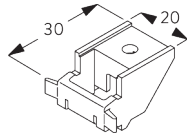


For detailed fitting information, visit the [Silent Gliss website](#).

B. CEILING FITTING

Bracket SG 3603

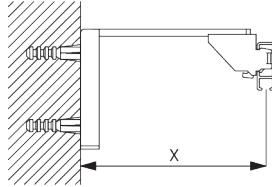




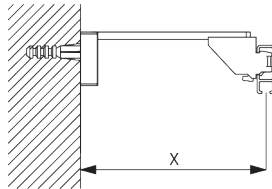
SG 3603
Bracket

C. WALL FITTING

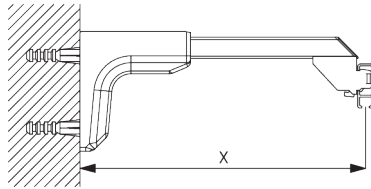
Smart Fix



Smart Fix SG 11200 - SG 11205 and bracket SG 3603:
Screw SG 10492 (M4x8) needed.

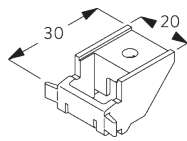


Square Smart Fix SG 11210 - SG 11215 and bracket SG 3603:
Screw SG 10492 (M4x8) needed.



Universal Smart Fix SG 11154 - SG 11156 and bracket SG 3603:
Screw SG 10277 (M4x12) needed.

Smart Fix	X mm
SG 11200 / SG 11210	70
SG 11201 / SG 11211	90
SG 11202 / SG 11212	110
SG 11203 / SG 11213	130
SG 11204 / SG 11214	160
SG 11205 / SG 11215	210
SG 11154	120-148
SG 11155	150-178
SG 11156	200-228



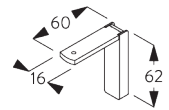
SG 3603
Bracket



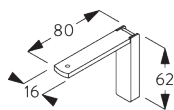
SG 10492
Pan head screw M4x8



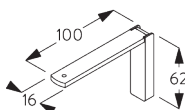
SG 10277
Pan head screw M4x12



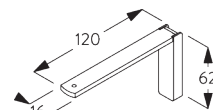
SG 11200
Smart Fix 60 mm



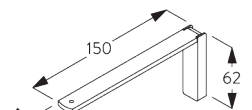
SG 11201
Smart Fix 80 mm



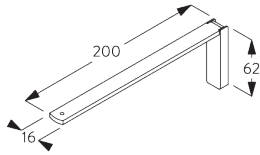
SG 11202
Smart Fix 100 mm



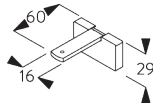
SG 11203
Smart Fix 120 mm



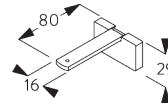
SG 11204
Smart Fix 150 mm



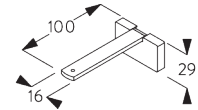
SG 11205
Smart Fix 200 mm



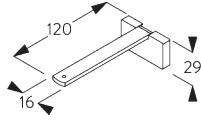
SG 11210
Square Smart Fix 60 mm



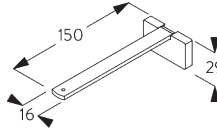
SG 11211
Square Smart Fix 80 mm



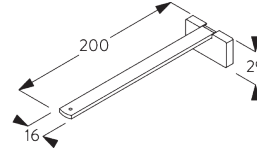
SG 11212
Square Smart Fix 100 mm



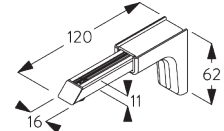
SG 11213
Square Smart Fix 120 mm



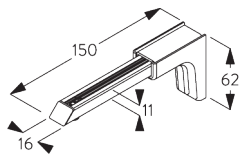
SG 11214
Square Smart Fix 150 mm



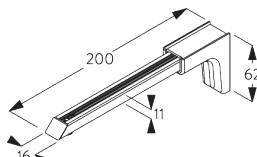
SG 11215
Square Smart Fix 200 mm



SG 11154
Universal Smart Fix 120 mm

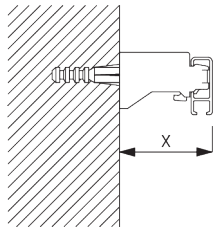


SG 11155
Universal Smart Fix 150 mm

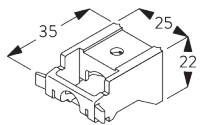


SG 11156
Universal Smart Fix 200 mm

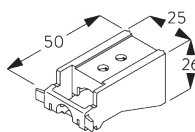
**Universal brackets
SG 3630, SG 3655,
SG 3660**



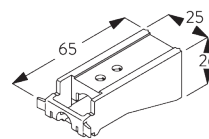
Bracket	X mm
SG 3630	33
SG 3655	48
SG 3660	63



SG 3630
Bracket 35 mm



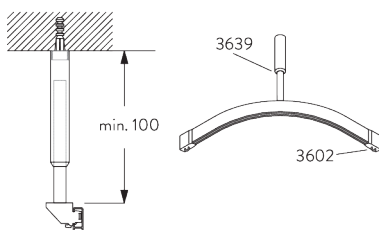
SG 3655
Bracket 50 mm

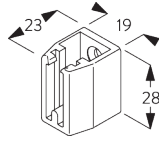


SG 3660
Bracket 65 mm

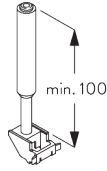
**D. SUSPENDED
FITTING**

**Hanger SG 3639 /
SG 3610 & wall
support SG 3602**

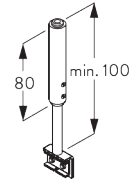




SG 3602
Wall support





SG 3639
Hanger






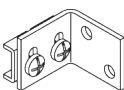
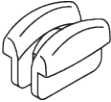
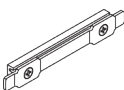

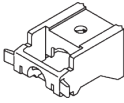



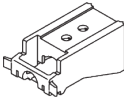
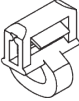
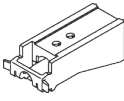
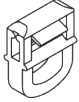


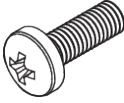
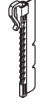
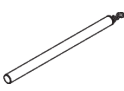

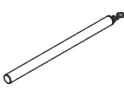

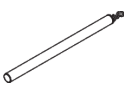
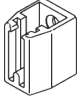
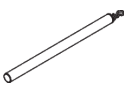
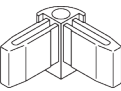
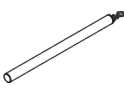
SG 3610
Hanger

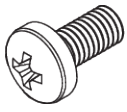
PARTS

A. STANDARD PARTS

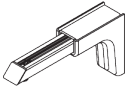
	SG 1080p Profile
	SG 3070 End stop
	SG 3085 Spring stop
	SG 3533 Glider
	SG 3599 Hook
	SG 3603 Bracket
	SG 3605 End cover

B. OPTIONAL PARTS

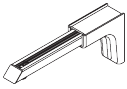
	SG 3012 Hook		SG 3610 Hanger
	SG 3089 Glider with hook		SG 3618 Wall bracket
	SG 3511 Glider		SG 3620 Connection bridge
	SG 3534 Glider 3533 on strip		SG 3630 Bracket 35 mm
	SG 3535 Glider		SG 3639 Hanger
	SG 3537 Glider		SG 3655 Bracket 50 mm
	SG 3547 Glider		SG 3660 Bracket 65 mm
	SG 3548 Glider		SG 6146 Hook
	SG 3549 Click glider with hook		SG 10277 Pan head screw M4x12
	SG 3555 Hook		SG 10430 Draw rod 50 cm
	SG 3582 Hook		SG 10431 Draw rod 75 cm
	SG 3598 Eyelet		SG 10432 Draw rod 100 cm
	SG 3602 Wall support		SG 10433 Draw rod 125 cm
	SG 3604 Corner connector		SG 10434 Draw rod 150 cm



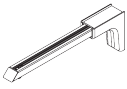
SG 10492
Pan head screw M4x8



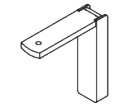
SG 11154
Universal Smart Fix 120 mm



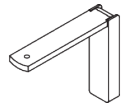
SG 11155
Universal Smart Fix 150 mm



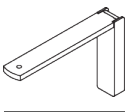
SG 11156
Universal Smart Fix 200 mm



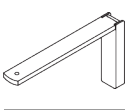
SG 11200
Smart Fix 60 mm



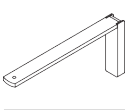
SG 11201
Smart Fix 80 mm



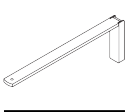
SG 11202
Smart Fix 100 mm



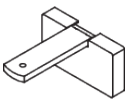
SG 11203
Smart Fix 120 mm



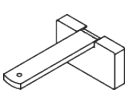
SG 11204
Smart Fix 150 mm



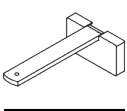
SG 11205
Smart Fix 200 mm



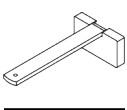
SG 11210
Square Smart Fix 60 mm



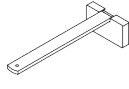
SG 11211
Square Smart Fix 80 mm



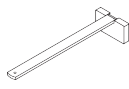
SG 11212
Square Smart Fix 100 mm



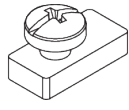
SG 11213
Square Smart Fix 120 mm



SG 11214
Square Smart Fix 150 mm

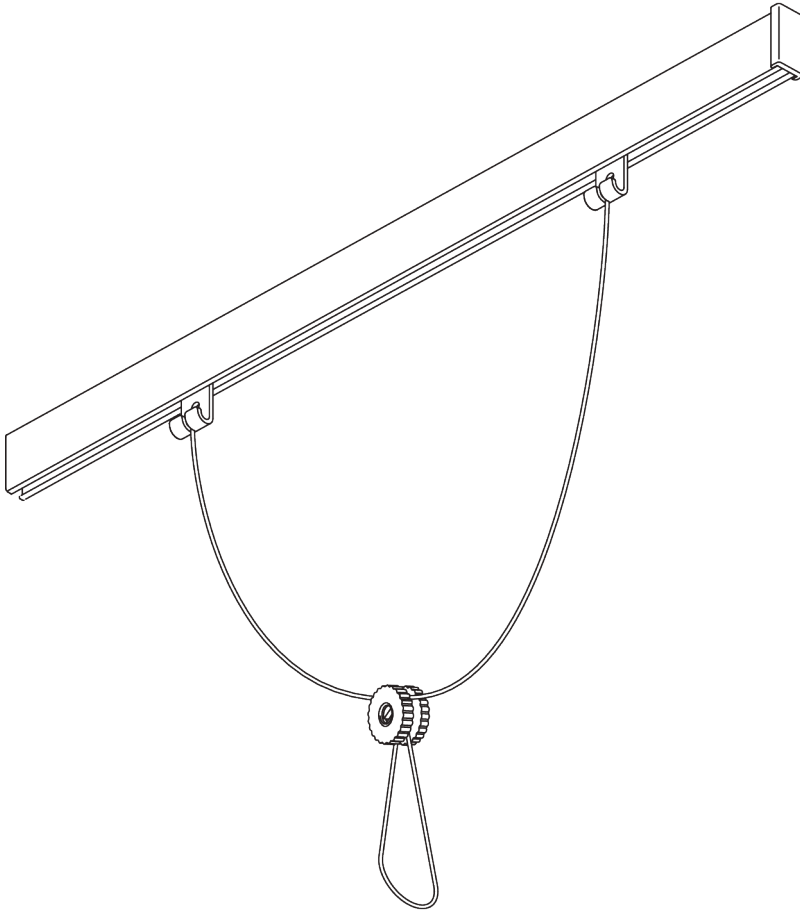


SG 11215
Square Smart Fix 200 mm



SG 11335
End stop

SG 3600



PRODUCT INFORMATION

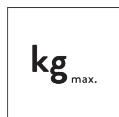
- **Operation:** hand
- **Fitting:** wall
- **Colours:** white RAL 9016 or anodised aluminum, special colours possible

Features:

- Picture hanging system
- Adjustable height

SYSTEM SPECIFICATIONS

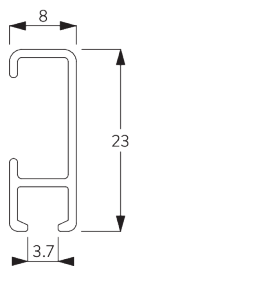
A. SYSTEM DIMENSIONS



10 kg
(Total picture weight)

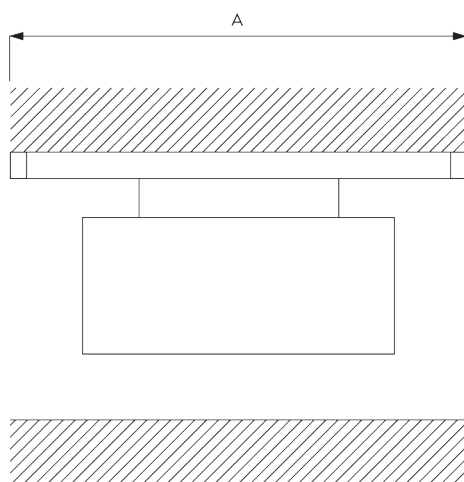
B. PROFILE

Profile and bending information



SG 1080p
Profile

C. HOW TO MEASURE



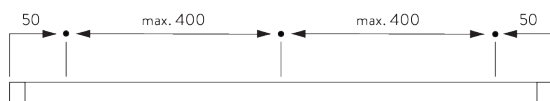
A: System width

FITTING

A. FITTING INFORMATION

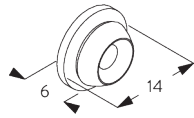
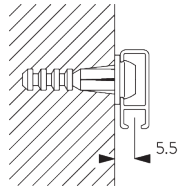
For detailed fitting information, visit the [Silent Gliss website](#).

Fixing Points



B. WALL FITTING

Bracket SG 3606

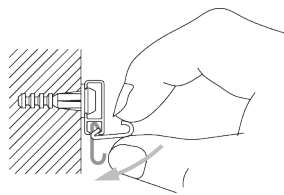


SG 3606

Clip

C. HANGING UP OF PICTURE

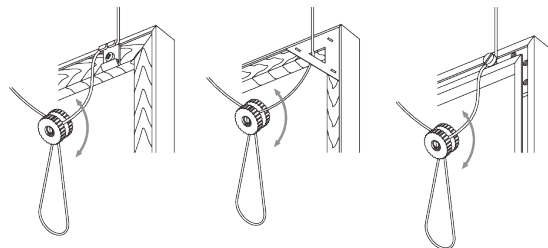
Set SG 3665



Click-in hooks SG 3663

Parts:

- SG 3634 Height adjuster
- SG 3637 Cord \varnothing 1.5 mm
- SG 3663 Hook



Picture height is adjusted by turning plastic screw.

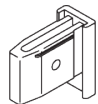
PARTS

A. STANDARD PARTS



SG 1080p

Profile



SG 3605

End cover



SG 3606

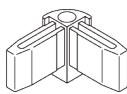
Clip



SG 3665

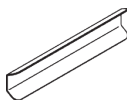
Picture hanging set

B. OPTIONAL PARTS



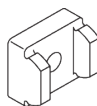
SG 3604

Corner connctor



SG 3657

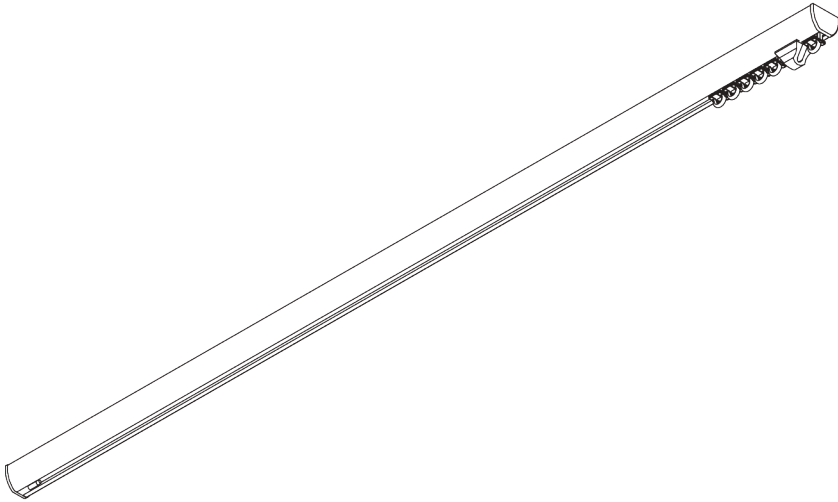
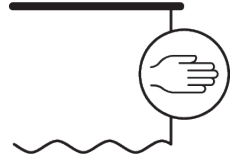
Connection bridge



SG 3666

Clip

SG 6010



PRODUCT INFORMATION

- **Operation:** hand
- **Range:** S - M
- **Fitting:** ceiling, wall
- **Colours:** white RAL 9016, black RAL 9005 or anodised aluminum, special colours possible
- **Fabrics:** refer to Silent Gliss fabric collection

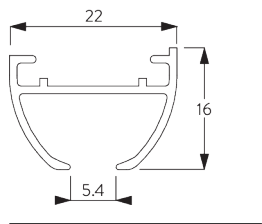
Features:

- 2-component (2C) glider technology
- Wave (2C)
- Bendable

SYSTEM SPECIFICATIONS

A. PROFILE

Profile and bending information

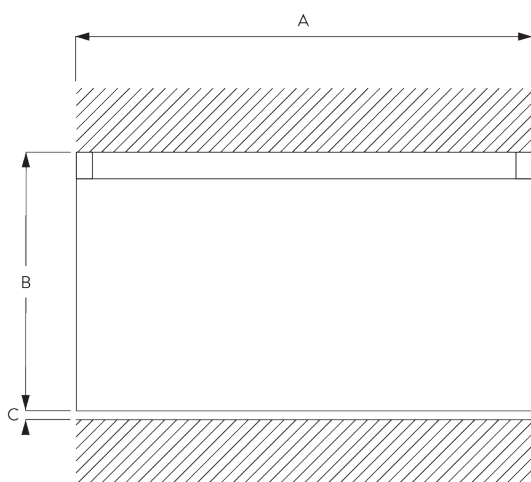


SG 6010p

Profile

Radius:
✓ 15 cm, >25 cm

B. HOW TO MEASURE



A: System width

B: System height

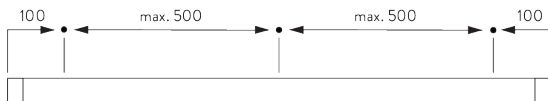
C: Distance between floor and fabric

FITTING

A. FITTING INFORMATION

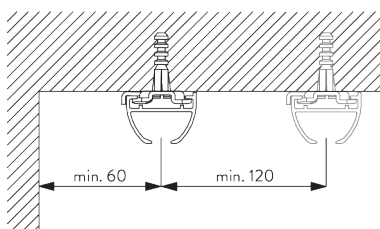
For detailed fitting information, visit the [Silent Gliss website](#).

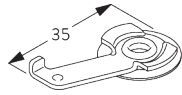
Fixing points



B. CEILING FITTING

Clamp SG 3825

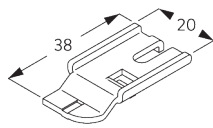
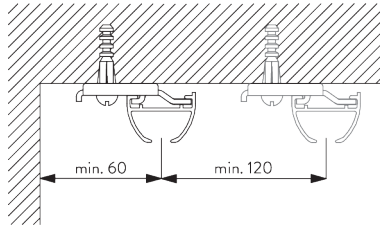




SG 3825

Clamp

Bracket SG 3832

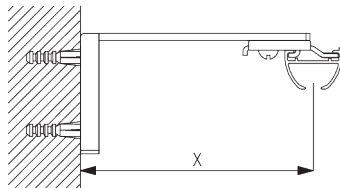


SG 3832

Bracket

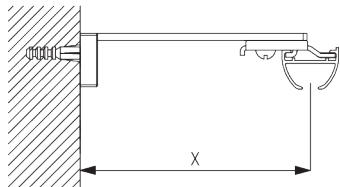
C. WALL FITTING

Smart Fix



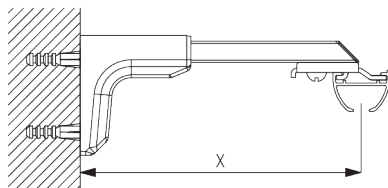
Smart Fix SG 11200 - SG 11205 and bracket SG 3832:

Screw SG 10492 (M4x8) needed.



Square Smart Fix SG 11210 - SG 11215 and bracket SG 3832:

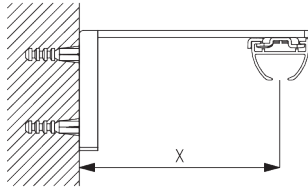
Screw SG 10492 (M4x8) needed.



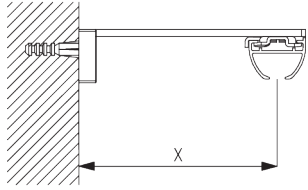
Universal Smart Fix SG 11154 - SG 11156 and bracket SG 3832:

Screw SG 10407 (M4x10) needed.

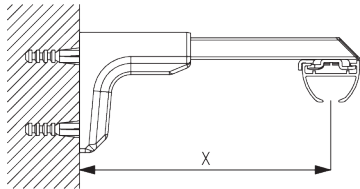
Smart Fix	X mm (SG 3832)	X mm (SG 3825)
SG 11200 / SG 11210	70	52
SG 11201 / SG 11211	90	72
SG 11202 / SG 11212	110	92
SG 11203 / SG 11213	130	112
SG 11204 / SG 11214	160	142
SG 11205 / SG 11215	210	192
SG 11154	120-148	102-130
SG 11155	150-178	132-160
SG 11156	200-228	182-210



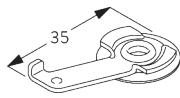
Smart Fix SG 11200 - SG 11205 and clamp SG 3825:
Screw SG 10074 (M4x8) needed.



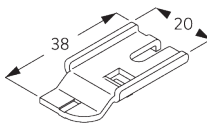
Square Smart Fix SG 11210 - SG 11215 and clamp SG 3825:
Screw SG 10074 (M4x8) needed.



Universal Smart Fix SG 11154 - SG 11156 and clamp SG 3825:
Screw SG 11158 (M4x12) needed.



SG 3825
Clamp



SG 3832
Bracket



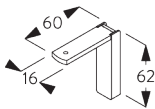
SG 10407
Pan head screw M4x10



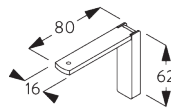
SG 10492
Pan head screw M4x8



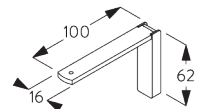
SG 11158
Countersunk head screw
M4x12



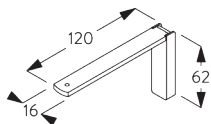
SG 11200
Smart Fix 60 mm



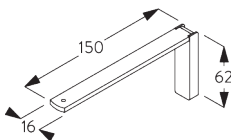
SG 11201
Smart Fix 80 mm



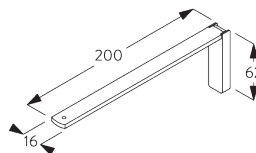
SG 11202
Smart Fix 100 mm



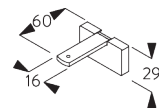
SG 11203
Smart Fix 120 mm



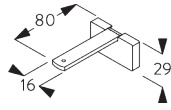
SG 11204
Smart Fix 150 mm



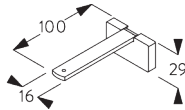
SG 11205
Smart Fix 200 mm



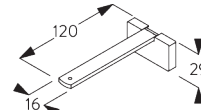
SG 11210
Square Smart Fix 60 mm



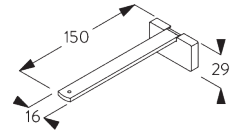
SG 11211
Square Smart Fix 80 mm



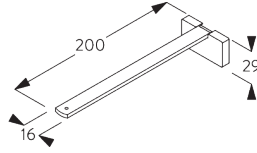
SG 11212
Square Smart Fix 100 mm



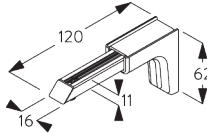
SG 11213
Square Smart Fix 120 mm



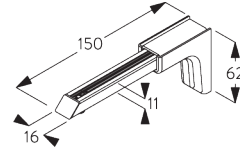
SG 11214
Square Smart Fix 150 mm



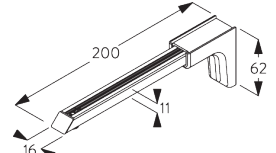
SG 11215
Square Smart Fix 200 mm



SG 11154
Universal Smart Fix 120 mm



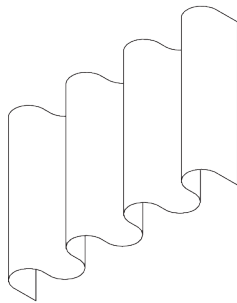
SG 11155
Universal Smart Fix 150 mm



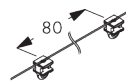
SG 11156
Universal Smart Fix 200 mm

SYSTEM OPTIONS

A. WAVE



SG 11295



SG 11302

Standard components:

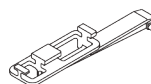
- SG 11295 End stop
- SG 11302 Wave 2C glider cord 80 mm



SG 2255



SG 2256



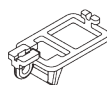
SG 6364



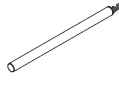
SG 6365

Optional components (min. radius: >25 cm):

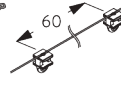
- SG 2255 Brake
- SG 2256 Brake
- SG 6364 Wave extension
- SG 6365 Wave hanger
- SG 6366 Wave carrier for draw rod
- SG 10430-34 Draw rod
- SG 11303 Wave 2C glider cord 60 mm



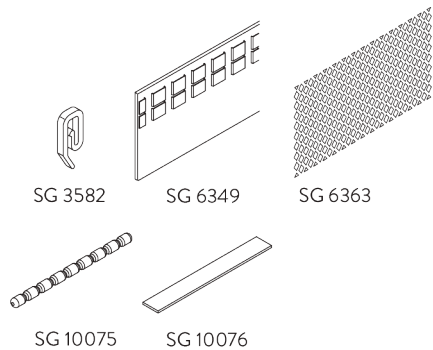
SG 6366



SG 10430-34



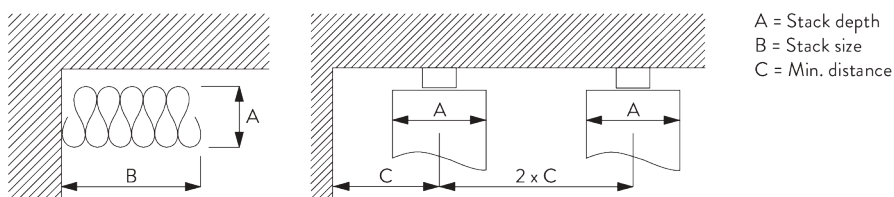
SG 11303



Curtain components:

- SG 3582 Hook
- SG 6349 Wave curtain tape
- SG 6363 Wave top hemming tape
- SG 10075 Lead weight 50 gr/m
- SG 10076 Fabric weight

Wave stack depth - 2C glider cord (standard components)



A = Stack depth
 B = Stack size
 C = Min. distance



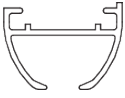
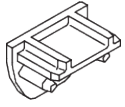

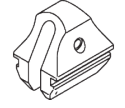
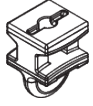
2C Glider cord SG 11302	Pockets between hooks	Approx. curtain fullness	Stack depth A	Stack size B*	Min distance C
80	6	~2.1	140	180 per metre of track	90
80	7	~2.3	160	180 per metre of track	100

2C Glider cord SG 11303	Pockets between hooks	Approx. curtain fullness	Stack depth A	Stack size B*	Min distance C
60	4	~2.1	100	230 per metre of track	70
60	5	~2.3	120	230 per metre of track	80

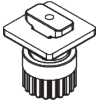
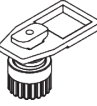



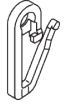
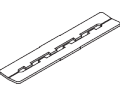
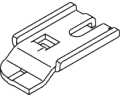


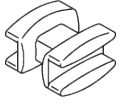



*Stack size B when using optional extension arm SG 6364 increases by 150 mm per curtain stack!

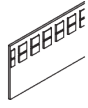

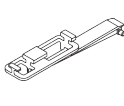
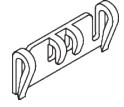
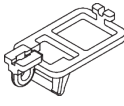

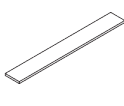
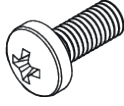
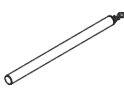
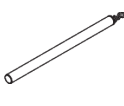
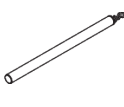
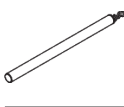


PARTS

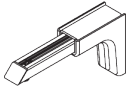
A. STANDARD PARTS

	SG 3599 Hook
	SG 3825 Clamp
	SG 6010p Profile
	SG 6018 End cover
	SG 6065 End stop
	SG 6086 Spring stop
	SG 11300 2C glider

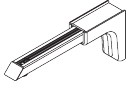
B. OPTIONAL PARTS

	SG 2255 Brake
	SG 2256 Brake
	SG 3012 Hook
	SG 3581 Hook
	SG 3582 Hook
	SG 3598 Eyelet
	SG 3802 Connection bridge
	SG 3832 Bracket
	SG 6053 Spring stop
	SG 6057 Glider
	SG 6082 Glider
	SG 6098 Roller
	SG 6240 Roller
	SG 6283 Roller

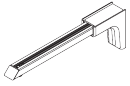
	SG 6349 Wave curtain tape
	SG 6363 Wave top hemming tape
	SG 6364 Wave extension
	SG 6365 Wave hanger
	SG 6366 Wave carrier for draw rod
	SG 10075 Lead weight 50 g/m
	SG 10076 Fabric weight
	SG 10407 Pan head screw M4x10
	SG 10430 Draw rod 50 cm
	SG 10431 Draw rod 75 cm
	SG 10432 Draw rod 100 cm
	SG 10433 Draw rod 125 cm
	SG 10434 Draw rod 150 cm
	SG 10492 Pan head screw M4x8



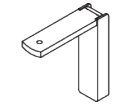
SG 11154
Universal Smart Fix 120 mm



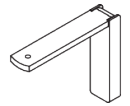
SG 11155
Universal Smart Fix 150 mm



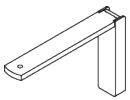
SG 11156
Universal Smart Fix 200 mm



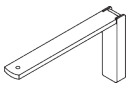
SG 11200
Smart Fix 60 mm



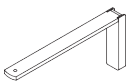
SG 11201
Smart Fix 80 mm



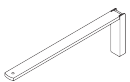
SG 11202
Smart Fix 100 mm



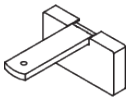
SG 11203
Smart Fix 120 mm



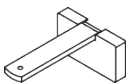
SG 11204
Smart Fix 150 mm



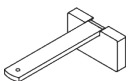
SG 11205
Smart Fix 200 mm



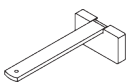
SG 11210
Square Smart Fix 60 mm



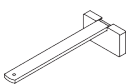
SG 11211
Square Smart Fix 80 mm



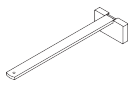
SG 11212
Square Smart Fix 100 mm



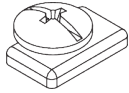
SG 11213
Square Smart Fix 120 mm



SG 11214
Square Smart Fix 150 mm



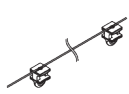
SG 11215
Square Smart Fix 200 mm



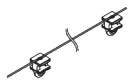
SG 11295
End stop



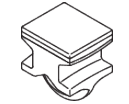
SG 11301
2C glider on strip



SG 11302
Wave 2C glider cord 80 mm

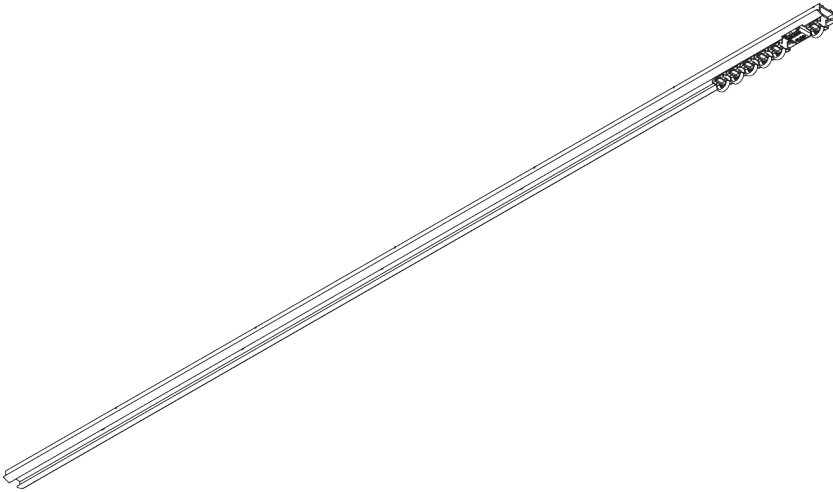
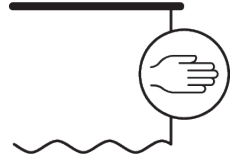


SG 11303
Wave 2C glider cord 60 mm



SG 11305
2C glider for direct sewing

SG 6011



PRODUCT INFORMATION

- **Operation:** hand
- **Range:** S-M
- **Fitting:** recess (center SG 7550)
- **Colours:** white RAL 9016 or anodised aluminum, special colours possible
- **Fabrics:** refer to Silent Gliss fabric collection

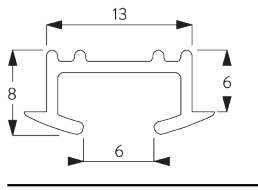
Features:

- 2-component (2C) glider technology
- Pre-drilled profile
- Bendable

SYSTEM SPECIFICATIONS

A. PROFILE

Profile and bending information

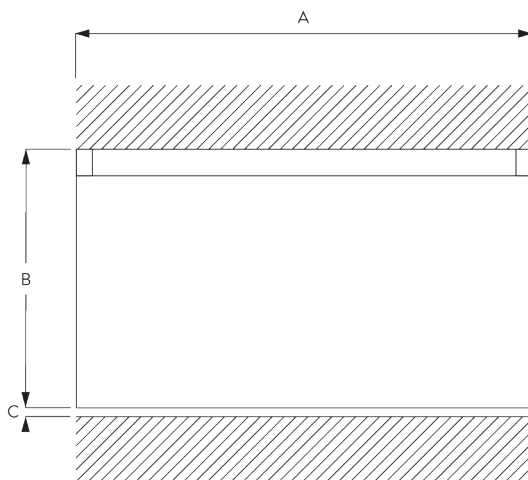


SG 6011p

Profile

Radius:
10 cm, 20 cm

B. HOW TO MEASURE



A: System width

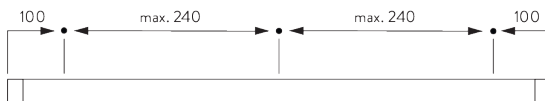
B: System height

C: Distance between floor and fabric

FITTING

A. FITTING INFORMATION

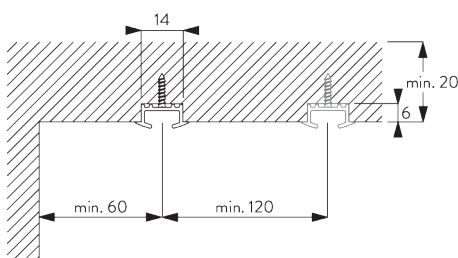
Fixing points



For detailed fitting information, visit the [Silent Gliss website](#).

B. RECESS FITTING

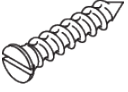

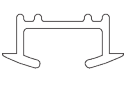
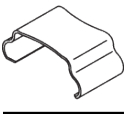


Direct into wood




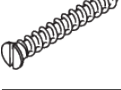
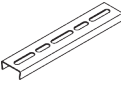

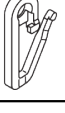







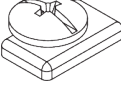

Recess channel: 6 x 14 mm

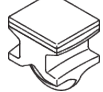
PARTS

A. STANDARD PARTS

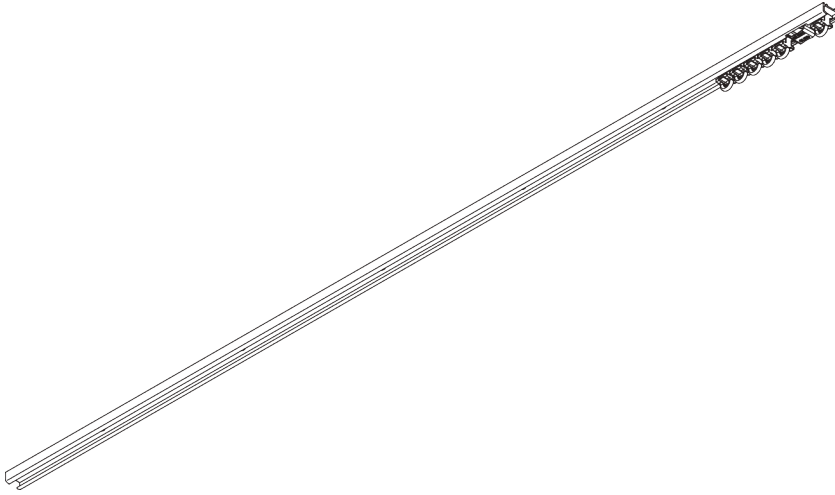
	SG 3019 Special screw 12 mm
	SG 3599 Hook
	SG 6011p Profile
	SG 6015 Spring
	SG 6065 End stop
	SG 11300 2C glider

B. OPTIONAL PARTS

	SG 3012 Hook
	SG 3025 Special screw 18 mm
	SG 3067 Connection bridge
	SG 3582 Hook
	SG 3598 Eyelet
	SG 6057 Glider
	SG 6082 Glider
	SG 10430 Draw rod 50 cm
	SG 10431 Draw rod 75 cm
	SG 10432 Draw rod 100 cm
	SG 10433 Draw rod 125 cm
	SG 10434 Draw rod 150 cm
	SG 11295 End stop
	SG 11301 2C glider on strip

	SG 11305 2C glider for direct sewing
---	--

SG 6026



PRODUCT INFORMATION

- **Operation:** hand
- **Range:** S
- **Fitting:** ceiling (center SG 7550)
- **Colours:** white RAL 9016 or anodised aluminum, special colours possible
- **Fabrics:** refer to Silent Gliss fabric collection

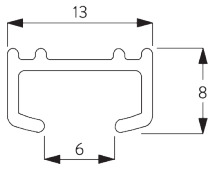
Features:

- 2-component (2C) glider technology
- Pre-drilled profile
- Bendable

SYSTEM SPECIFICATIONS

A. PROFILE

Profile and bending information

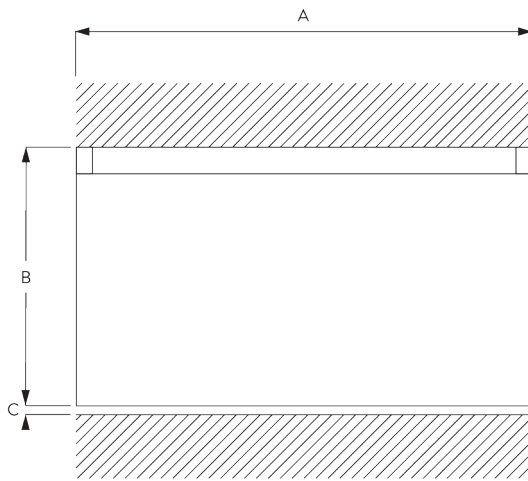


SG 6026p

Profile

Radius:
10 cm, 20 cm

B. HOW TO MEASURE



A: System width

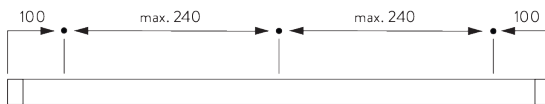
B: System height

C: Distance between floor and fabric

FITTING

A. FITTING INFORMATION

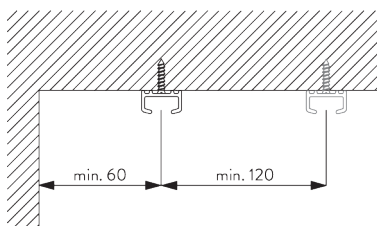
Fixing points



For detailed fitting information, visit the Silent Gliss website.

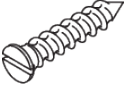


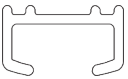


B. CEILING FITTING

Direct into wood



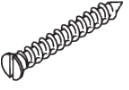
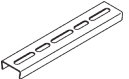



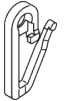

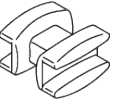
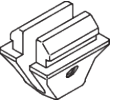
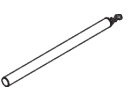
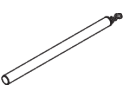
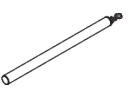


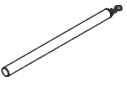
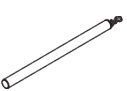
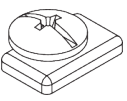

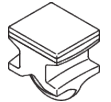
PARTS

A. STANDARD PARTS

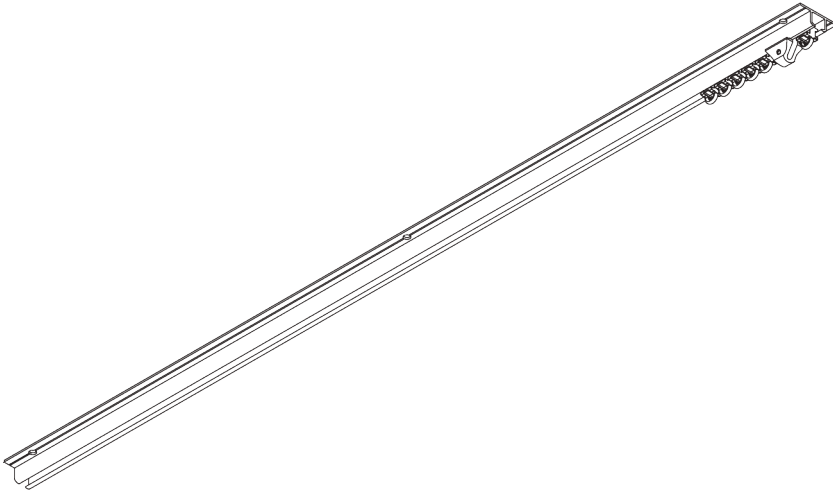
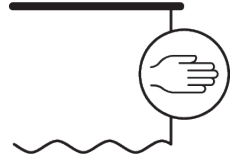
	SG 3019 Special screw 12 mm
	SG 3599 Hook
	SG 6015 Spring
	SG 6026p Profile
	SG 6065 End stop
	SG 11300 2C glider

B. OPTIONAL PARTS

	SG 3012 Hook
	SG 3020 Hook
	SG 3025 Special screw 18 mm
	SG 3067 Connection bridge
	SG 3555 Hook
	SG 3571 Hook
	SG 3582 Hook
	SG 3598 Eyelet
	SG 6057 Glider
	SG 6082 Glider
	SG 6245 Spring stop
	SG 10430 Draw rod 50 cm
	SG 10431 Draw rod 75 cm
	SG 10432 Draw rod 100 cm

	SG 10433 Draw rod 125 cm
	SG 10434 Draw rod 150 cm
	SG 11295 End stop
	SG 11301 2C glider on strip
	SG 11305 2C glider for direct sewing

SG 6035



PRODUCT INFORMATION

- **Operation:** hand
- **Range:** M - L
- **Fitting:** ceiling
- **Colours:** white RAL 9016 or anodised aluminum, special colours possible
- **Fabrics:** refer to Silent Gliss fabric collection

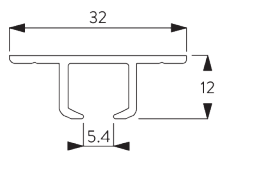
Features:

- 2-component (2C) glider technology
- Wave (2C)
- Bendable
- Pre-drilled profile

SYSTEM SPECIFICATIONS

A. PROFILE

Profile and bending information

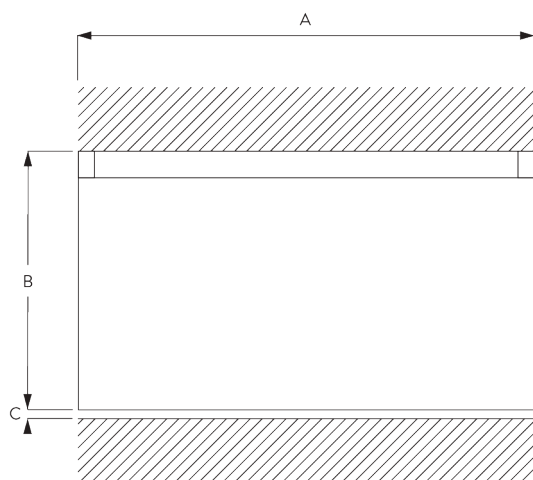


SG 6035p

Profile

Radius: >25 cm

B. HOW TO MEASURE



A: System width

B: System height

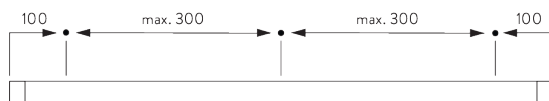
C: Distance between floor and fabric

FITTING

A. FITTING INFORMATION

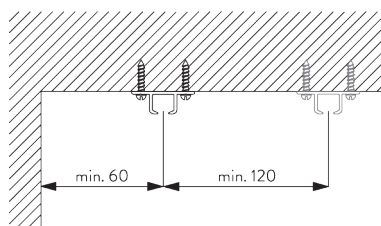
Fixing points

For detailed fitting information, visit the [Silent Gliss website](#).



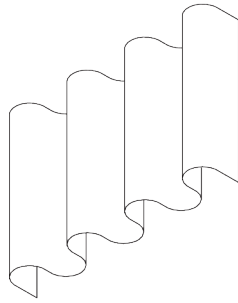
B. CEILING FITTING

Direct fitting

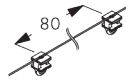


SYSTEM OPTIONS

A. WAVE



SG 11295



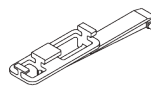
SG 11302



SG 2255



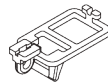
SG 2256



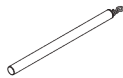
SG 6364



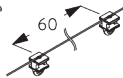
SG 6365



SG 6366



SG 10430-34



SG 11303

Standard components:

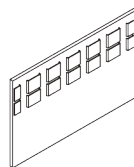
- SG 11295 End stop
- SG 11302 Wave 2C glider cord 80 mm

Optional components:

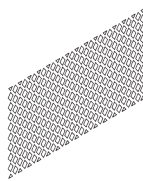
- SG 2255 Brake
- SG 2256 Brake
- SG 6364 Wave extension
- SG 6365 Wave hanger
- SG 6366 Wave carrier for draw rod
- SG 10430-34 Draw rod
- SG 11303 Wave 2C glider cord 60 mm



SG 3582



SG 6349



SG 6363



SG 10075

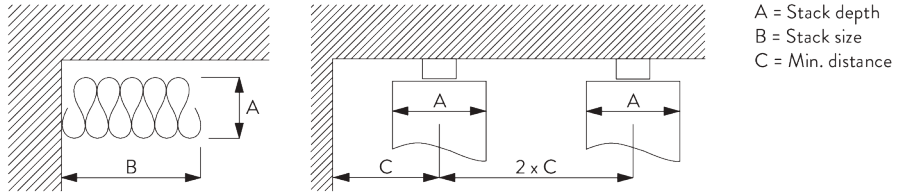


SG 10076

Curtain components:

- SG 3582 Hook
- SG 6349 Wave curtain tape
- SG 6363 Wave top hemming tape
- SG 10075 Lead weight 50 gr/m
- SG 10076 Fabric weight

Wave stack depth - 2C glider cord (standard components)






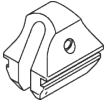

2C Glider cord SG 11302	Pockets between hooks	Approx. curtain fullness	Stack depth A	Stack size B*	Min distance C
80	6	~2.1	140	180 per metre of track	90
80	7	~2.3	160	180 per metre of track	100

2C Glider cord SG 11303	Pockets between hooks	Approx. curtain fullness	Stack depth A	Stack size B*	Min distance C
60	4	~2.1	100	230 per metre of track	70
60	5	~2.3	120	230 per metre of track	80

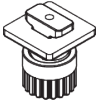

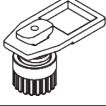


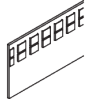



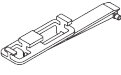
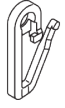
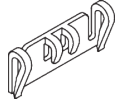

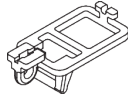


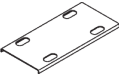
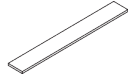

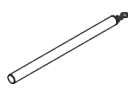

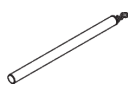

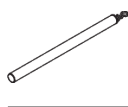



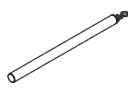
*Stack size B when using optional extension arm SG 6364 increases by 150 mm per curtain stack!

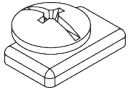
PARTS

A. STANDARD PARTS

	SG 3599 Hook
	SG 6035p Profile
	SG 6065 End stop
	SG 6086 Spring stop
	SG 11300 2C glider

B. OPTIONAL PARTS

	SG 2255 Brake		SG 6240 Roller
	SG 2256 Brake		SG 6283 Roller
	SG 3012 Hook		SG 6349 Wave curtain tape
	SG 3581 Hook		SG 6363 Wave top hemming tape
	SG 3582 Hook		SG 6364 Wave extension
	SG 3598 Eyelet		SG 6365 Wave hanger
	SG 6004 Eyelet		SG 6366 Wave carrier for draw rod
	SG 6005 Hook		SG 10075 Lead weight 50 g/m
	SG 6043 Connection bridge		SG 10076 Fabric weight
	SG 6053 Spring stop		SG 10430 Draw rod 50 cm
	SG 6057 Glider		SG 10431 Draw rod 75 cm
	SG 6082 Glider		SG 10432 Draw rod 100 cm
	SG 6094 Roller		SG 10433 Draw rod 125 cm
	SG 6098 Roller		SG 10434 Draw rod 150 cm



SG 11295

End stop



SG 11301

2C glider on strip



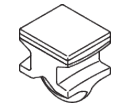
SG 11302

Wave 2C glider cord 80 mm



SG 11303

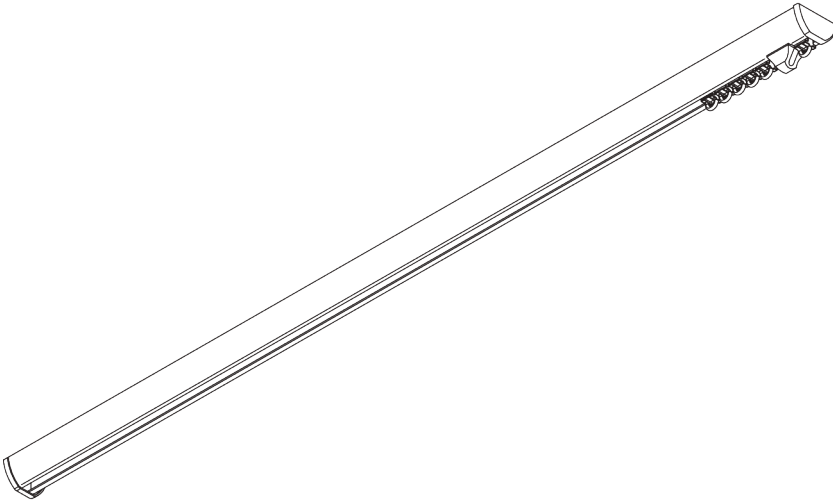
Wave 2C glider cord 60 mm



SG 11305

2C glider for direct sewing

SG 6170



PRODUCT INFORMATION

- **Operation:** hand
- **Range:** M - L
- **Fitting:** ceiling
- **Colours:** white RAL 9016 or anodised aluminum, special colours possible
- **Fabrics:** refer to Silent Gliss fabric collection

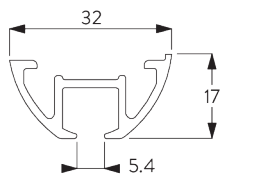
Features:

- 2-component (2C) glider technology
- Wave (2C)
- Bendable

SYSTEM SPECIFICATIONS

A. PROFILE

Profile and bending information

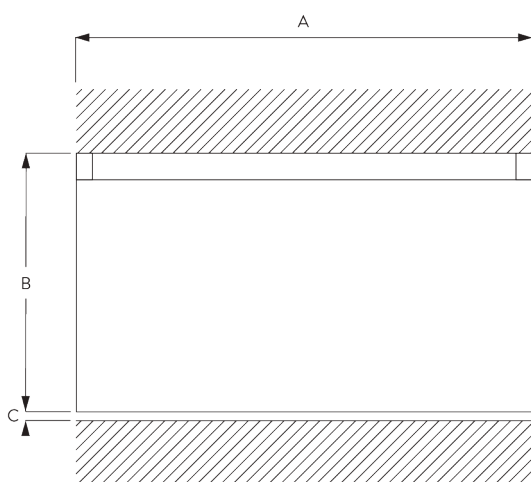


SG 6170p

Profile



B. HOW TO MEASURE



A: System width

B: System height

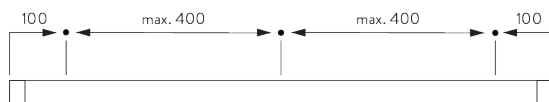
C: Distance between floor and fabric

FITTING

A. FITTING INFORMATION

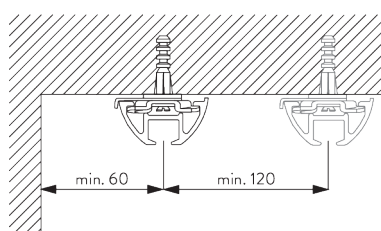
Fixing points

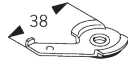
For detailed fitting information, visit the [Silent Gliss website](#).



B. CEILING FITTING

Clamp SG 3004

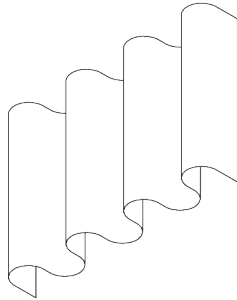




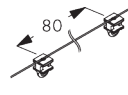
SG 3004
Clamp

SYSTEM OPTIONS

A. WAVE



SG 11295



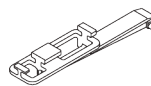
SG 11302



SG 2255



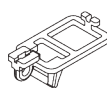
SG 2256



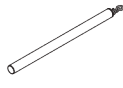
SG 6364



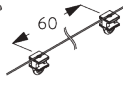
SG 6365



SG 6366



SG 10430-34



SG 11303

Standard components:

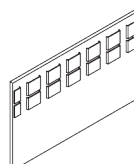
- SG 11295 End stop
- SG 11302 Wave 2C glider cord 80 mm

Optional components (min. radius >30 cm):

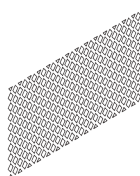
- SG 2255 Brake
- SG 2256 Brake
- SG 6364 Wave extension
- SG 6365 Wave hanger
- SG 6366 Wave carrier for draw rod
- SG 10430-34 Draw rod
- SG 11303 Wave 2C glider cord 60 mm



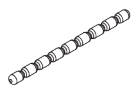
SG 3582



SG 6349



SG 6363



SG 10075

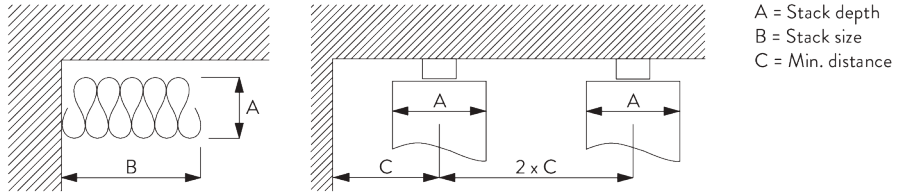


SG 10076

Curtain components:

- SG 3582 Hook
- SG 6349 Wave curtain tape
- SG 6363 Wave iron tape
- SG 10075 Lead weight 50 gr/m
- SG 10076 Fabric weight

Wave stack depth - 2C glider cord (standard components)






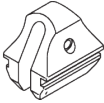



2C Glider cord SG 11302	Pockets between hooks	Approx. curtain fullness	Stack depth A	Stack size B*	Min distance C
80	6	~2.1	140	180 per metre of track	90
80	7	~2.3	160	180 per metre of track	100

2C Glider cord SG 11303	Pockets between hooks	Approx. curtain fullness	Stack depth A	Stack size B*	Min distance C
60	4	~2.1	100	230 per metre of track	70
60	5	~2.3	120	230 per metre of track	80

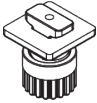
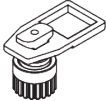





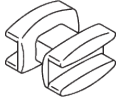
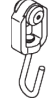

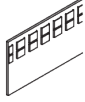

*Stack size B when using optional extension arm SG 6364 increases by 150 mm per curtain stack!

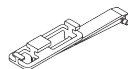
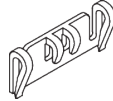
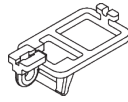
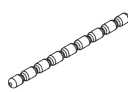

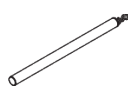
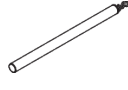
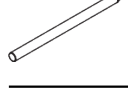
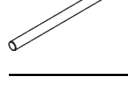



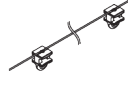
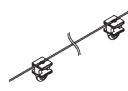
PARTS

A. STANDARD PARTS

	SG 3004 Clamp
	SG 3599 Hook
	SG 6065 End stop
	SG 6086 Spring stop
	SG 6170p Profile
	SG 6172 End cover
	SG 11300 2C glider

B. OPTIONAL PARTS

	SG 2255 Brake
	SG 2256 Brake
	SG 3008 Connection bridge
	SG 3012 Hook
	SG 3582 Hook
	SG 6004 Eyelet
	SG 6005 Hook
	SG 6053 Spring stop
	SG 6082 Glider
	SG 6094 Roller
	SG 6098 Roller
	SG 6283 Roller
	SG 6349 Wave curtain tape
	SG 6363 Wave top hemming tape

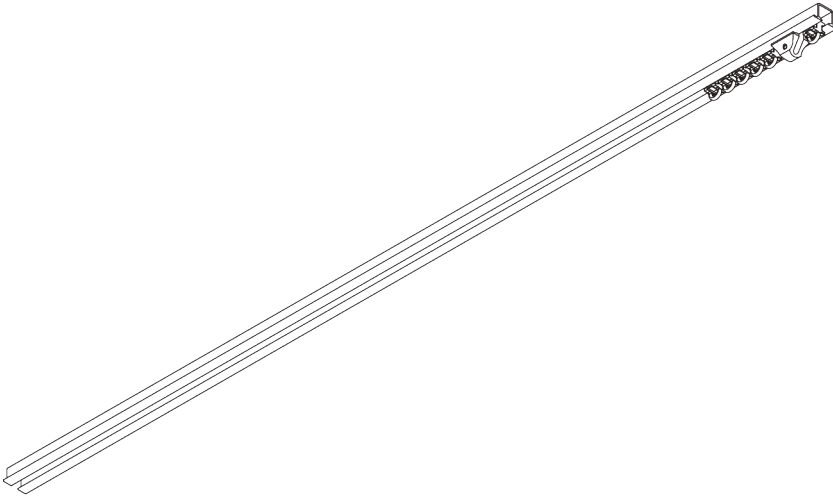
	SG 6364 Wave extension
	SG 6365 Wave hanger
	SG 6366 Wave carrier for draw rod
	SG 10075 Lead weight 50 g/m
	SG 10076 Fabric weight
	SG 10430 Draw rod 50 cm
	SG 10431 Draw rod 75 cm
	SG 10432 Draw rod 100 cm
	SG 10433 Draw rod 125 cm
	SG 10434 Draw rod 150 cm
	SG 11295 End stop
	SG 11301 2C glider on strip
	SG 11302 Wave 2C glider cord 80 mm
	SG 11303 Wave 2C glider cord 60 mm



SG 11305

2C glider for direct sewing

SG 6243



PRODUCT INFORMATION

- **Operation:** hand
- **Range:** S - M
- **Fitting:** recess
- **Colours:** white RAL 9016 or anodised aluminum, special colours possible
- **Fabrics:** refer to Silent Gliss fabric collection

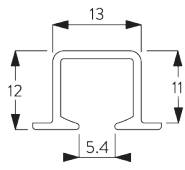
Features:

- 2-component (2C) glider technology
- Wave (2C)
- Bendable
- Pre-drilled profile

SYSTEM SPECIFICATIONS

A. PROFILE

Profile and bending information

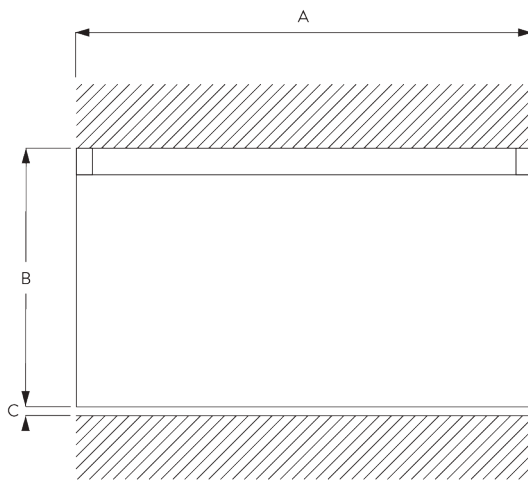


SG 6243p

Profile

Radius:
✓ 20 cm, >25 cm

B. HOW TO MEASURE

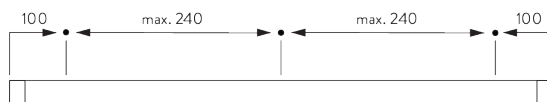


A: System width
B: System height
C: Distance between floor and fabric

FITTING

A. FITTING INFORMATION

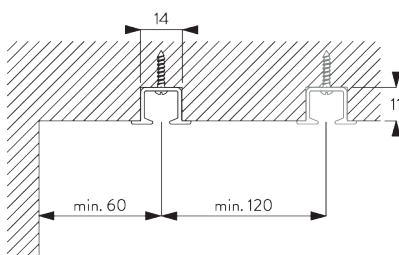
Fixing points



For detailed fitting information, visit the [Silent Gliss website](#).

B. RECESS FITTING

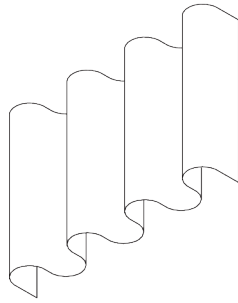
Direct into wood



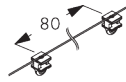
Recess channel: 11 x 14 mm

SYSTEM OPTIONS

A. WAVE



SG 11295



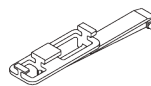
SG 11302



SG 2255



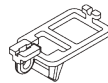
SG 2256



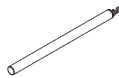
SG 6364



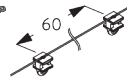
SG 6365



SG 6366



SG 10430-34



SG 11303

Standard components:

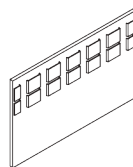
- SG 11295 End stop
- SG 11302 Wave 2C glider cord 80 mm

Optional components (min. radius >25 cm):

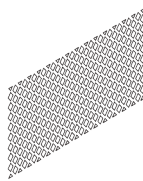
- SG 2255 Brake
- SG 2256 Brake
- SG 6364 Wave extension
- SG 6365 Wave hanger
- SG 6366 Wave carrier for draw rod
- SG 10430-34 Draw rod
- SG 11303 Wave 2C glider cord 60 mm



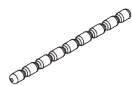
SG 3582



SG 6349



SG 6363



SG 10075

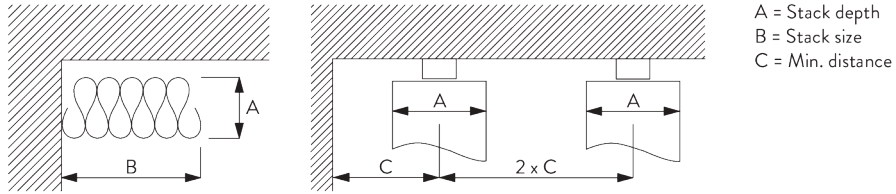


SG 10076

Curtain components:

- SG 3582 Hook
- SG 6349 Wave curtain tape
- SG 6363 Wave top hemming tape
- SG 10075 Lead weight 50 gr/m
- SG 10076 Fabric weight

Wave stack depth - 2C glider cord (standard components)









2C Glider cord SG 11302	Pockets between hooks	Approx. curtain fullness	Stack depth A	Stack size B*	Min distance C
80	6	~2.1	140	180 per metre of track	90
80	7	~2.3	160	180 per metre of track	100

2C Glider cord SG 11303	Pockets between hooks	Approx. curtain fullness	Stack depth A	Stack size B*	Min distance C
60	4	~2.1	100	230 per metre of track	70
60	5	~2.3	120	230 per metre of track	80

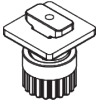
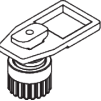


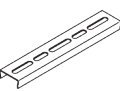
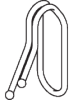
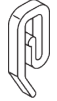
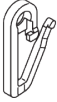






*Stack size B when using optional extension arm SG 6364 increases by 150 mm per curtain!



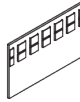

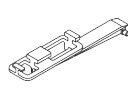
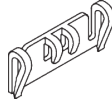
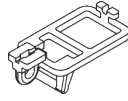
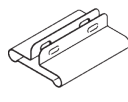

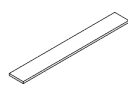
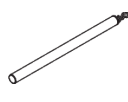
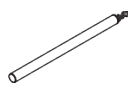
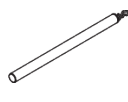
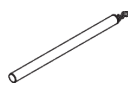
PARTS

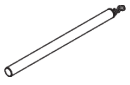
A. STANDARD PARTS

	SG 3599 Hook
	SG 6065 End stop
	SG 6086 Spring stop
	SG 6243p Profile
	SG 10717 Countersunk head screw 2.2x19
	SG 11300 2C glider

B. OPTIONAL PARTS

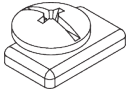
	SG 2255 Brake
	SG 2256 Brake
	SG 3012 Hook
	SG 3020 Hook
	SG 3067 Connection bridge
	SG 3581 Hook
	SG 3582 Hook
	SG 3598 Eyelet
	SG 6053 Spring stop
	SG 6057 Glider
	SG 6064 End stop
	SG 6082 Glider
	SG 6094 Roller
	SG 6098 Roller

	SG 6240 Roller
	SG 6283 Roller
	SG 6349 Wave curtain tape
	SG 6363 Wave top hemming tape
	SG 6364 Wave extension
	SG 6365 Wave hanger
	SG 6366 Wave carrier for draw rod
	SG 7002 Profile protector
	SG 10075 Lead weight 50 g/m
	SG 10076 Fabric weight
	SG 10430 Draw rod 50 cm
	SG 10431 Draw rod 75 cm
	SG 10432 Draw rod 100 cm
	SG 10433 Draw rod 125 cm



SG 10434

Draw rod 150 cm



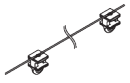
SG 11295

End stop



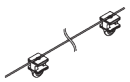
SG 11301

2C glider on strip



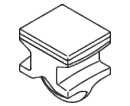
SG 11302

Wave 2C glider cord 80 mm



SG 11303

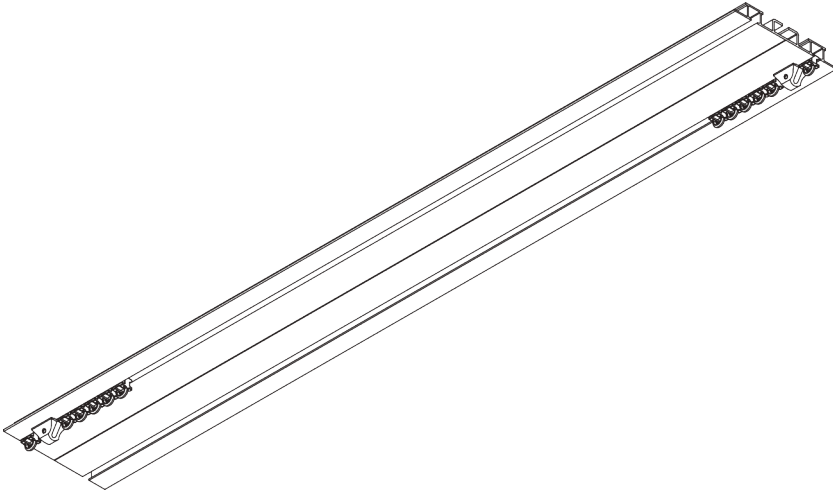
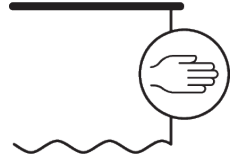
Wave 2C glider cord 60 mm



SG 11305

2C glider for direct sewing

SG 6244



PRODUCT INFORMATION

- **Operation:** hand
- **Range:** M - L
- **Fitting:** recess
- **Colours:** white RAL 9016, special colours possible
- **Fabrics:** refer to Silent Gliss fabric collection

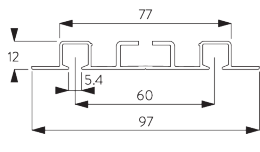
Features:

- 2-component (2C) glider technology

SYSTEM SPECIFICATIONS

A. PROFILE

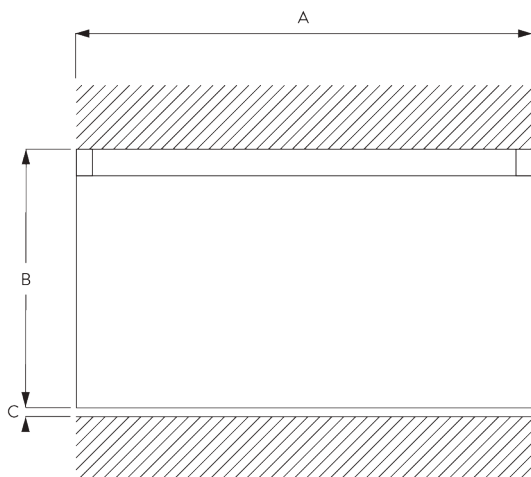
Profile information



SG 6244p

Profile

B. HOW TO MEASURE



A: System width

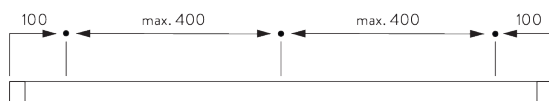
B: System height

C: Distance between floor and fabric

FITTING

A. FITTING INFORMATION

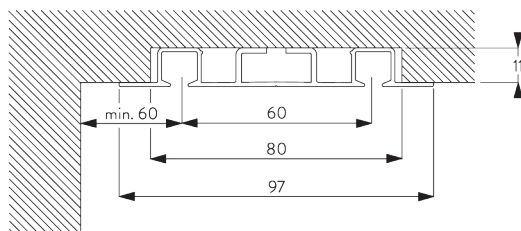
Fixing points



For detailed fitting information, visit the [Silent Gliss website](#).





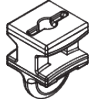
B. RECESS FITTING

Direct fitting



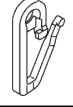




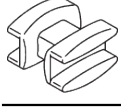
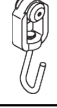
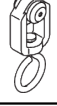

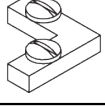
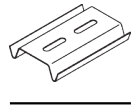



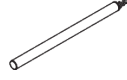
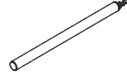
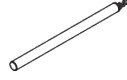
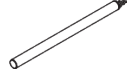
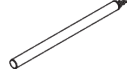
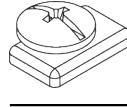
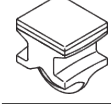
PARTS

A. STANDARD PARTS

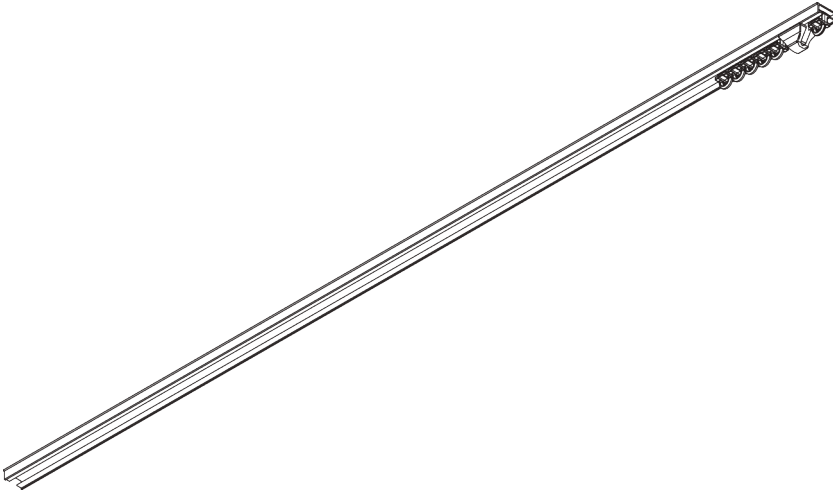
	SG 3599 Hook
	SG 6065 End stop
	SG 6086 Spring stop
	SG 6244p Profile
	SG 11300 2C glider

B. OPTIONAL PARTS

	SG 3581 Hook
	SG 3582 Hook
	SG 3598 Eyelet
	SG 6004 Eyelet
	SG 6005 Hook
	SG 6053 Spring stop
	SG 6057 Glider
	SG 6082 Glider
	SG 6094 Roller
	SG 6098 Roller
	SG 6240 Roller
	SG 6246 Corner connection
	SG 6248 Connection bridge
	SG 6283 Roller

	SG 10430 Draw rod 50 cm
	SG 10431 Draw rod 75 cm
	SG 10432 Draw rod 100 cm
	SG 10433 Draw rod 125 cm
	SG 10434 Draw rod 150 cm
	SG 11295 End stop
	SG 11305 2C glider for direct sewing

SG 6250



PRODUCT INFORMATION

- **Operation:** hand
- **Range:** S - M
- **Fitting:** recess
- **Colours:** white RAL 9016
- **Fabrics:** refer to Silent Gliss fabric collection

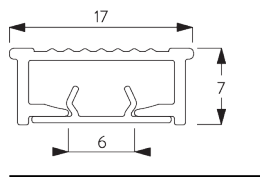
Features:

- 2-component (2C) glider technology
- Wave (2C)
- Bendable

SYSTEM SPECIFICATIONS

A. PROFILE

Profile and bending information

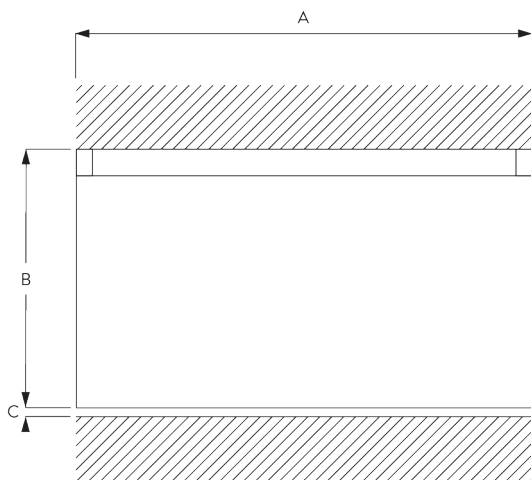


SG 11220

Profile with cover

Radius:
10 cm, 20 cm

B. HOW TO MEASURE



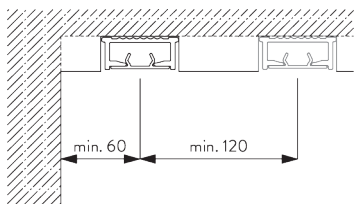
A: System width
B: System height
C: Distance between floor and fabric

FITTING

A. FITTING INFORMATION

For detailed fitting information, visit the Silent Gliss website, login section.

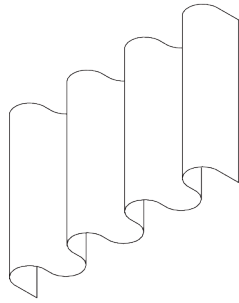
B. RECESS FITTING



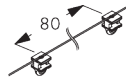
Adhesive assembly exclusively on raw concrete.

SYSTEM OPTIONS

A. WAVE



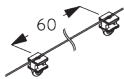
SG 11295



SG 11302

Standard components:

- SG 11295 End stop
- SG 11302 Wave 2C glider cord 80 mm



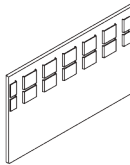
SG 11303

Optional components:

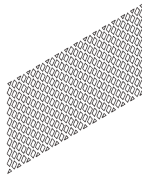
- SG 11303 Wave 2C glider cord 60 mm



SG 3582



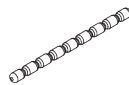
SG 6349



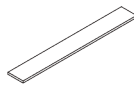
SG 6363

Curtain components:

- SG 3582 Hook
- SG 6349 Wave curtain tape
- SG 6363 Wave top hemming tape
- SG 10075 Lead weight 50 gr/m
- SG 10076 Fabric weight

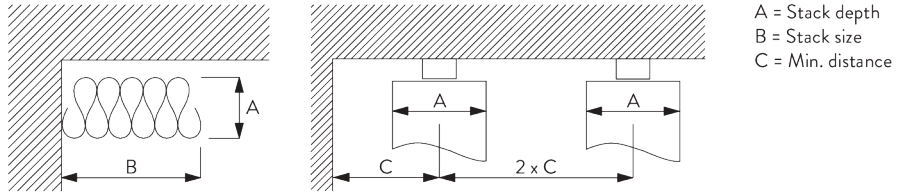


SG 10075



SG 10076

Wave stack depth - 2C glider cord (standard components)



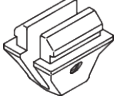
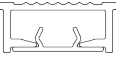



2C Glider cord SG 11302	Pockets between hooks	Approx. curtain fullness	Stack depth A	Stack size B*	Min distance C
80	6	~2.1	140	180 per metre of track	90
80	7	~2.3	160	180 per metre of track	100





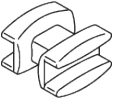



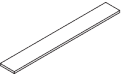
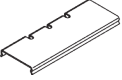
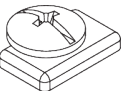

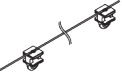
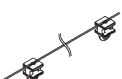
2C Glider cord SG 11303	Pockets between hooks	Approx. curtain fullness	Stack depth A	Stack size B*	Min distance C
60	4	~2.1	100	230 per metre of track	70
60	5	~2.3	120	230 per metre of track	80


PARTS

A. STANDARD PARTS

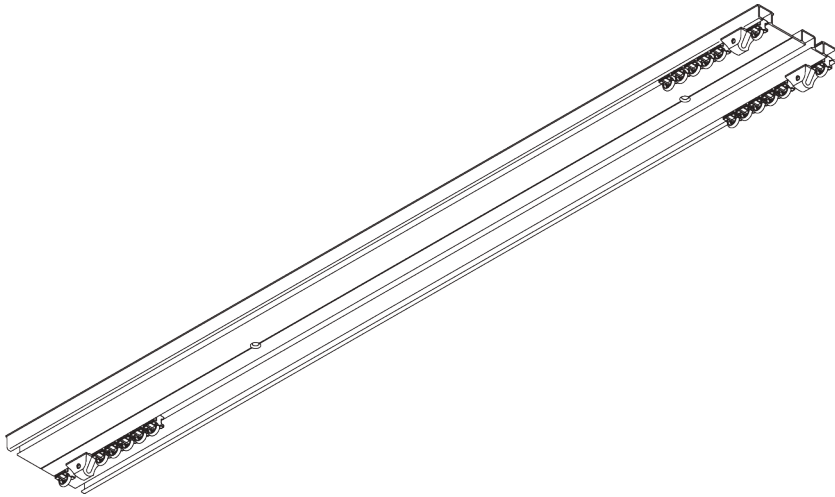
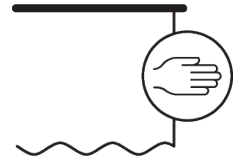
	SG 3599 Hook
	SG 6065 End stop
	SG 6245 Spring stop
	SG 11220 Profile with cover
	SG 11300 2C glider

B. OPTIONAL PARTS

	SG 3012 Hook
	SG 3582 Hook
	SG 3598 Eyelet
	SG 6057 Glider
	SG 6082 Glider
	SG 6349 Wave curtain tape
	SG 6363 Wave top hemming tape
	SG 10075 Lead weight 50 g/m
	SG 10076 Fabric weight
	SG 11222 Connector
	SG 11295 End stop
	SG 11301 2C glider on strip
	SG 11302 Wave 2C glider cord 80 mm
	SG 11303 Wave 2C glider cord 60 mm

	SG 11305 2C glider for direct sewing
---	--

SG 6293



PRODUCT INFORMATION

- **Operation:** hand
- **Range:** M - L
- **Fitting:** ceiling
- **Colours:** white RAL 9016 or anodised aluminum, special colours possible
- **Fabrics:** refer to Silent Gliss fabric collection

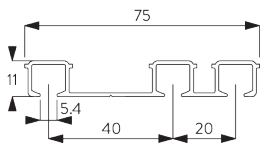
Features:

- 2-component (2C) glider technology
- Pre-drilled profile

SYSTEM SPECIFICATIONS

A. PROFILE

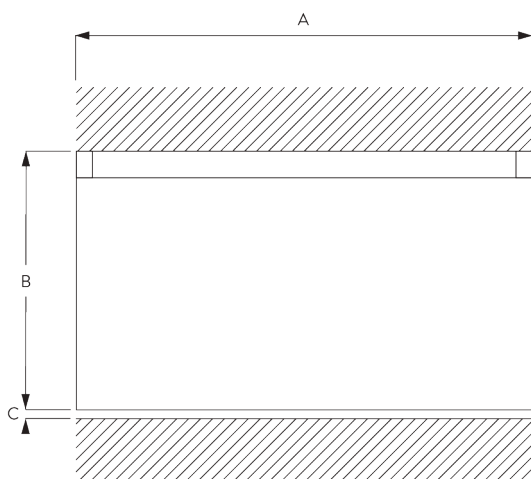
Profile information



SG 6293p

Profile

B. HOW TO MEASURE



A: System width

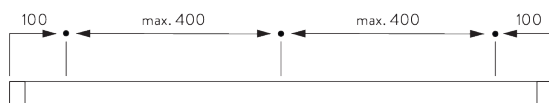
B: System height

C: Distance between floor and fabric

FITTING

A. FITTING INFORMATION

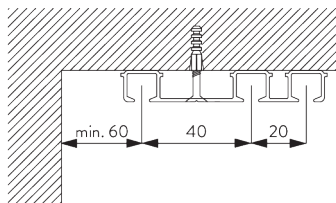
Fixing points



For detailed fitting information, visit the *Silent Gliss* website.



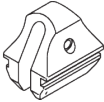


B. CEILING FITTING

Direct fitting


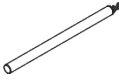
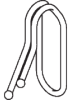
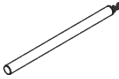
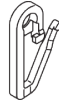
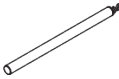

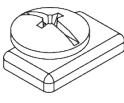


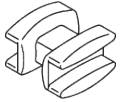
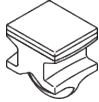



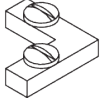
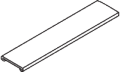

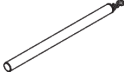
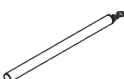


PARTS

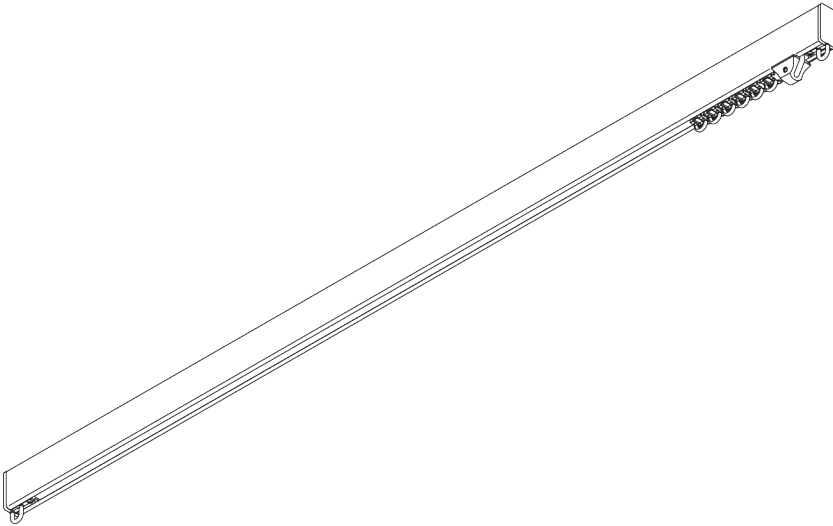
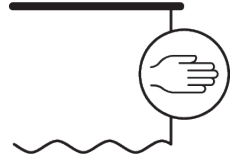
A. STANDARD PARTS

	SG 3599 Hook
	SG 6065 End stop
	SG 6086 Spring stop
	SG 6293p Profile
	SG 11300 2C glider

B. OPTIONAL PARTS

	SG 3012 Hook		SG 10432 Draw rod 100 cm
	SG 3581 Hook		SG 10433 Draw rod 125 cm
	SG 3598 Eyelet		SG 10434 Draw rod 150 cm
	SG 6053 Spring stop		SG 11295 End stop
	SG 6057 Glider		SG 11301 2C glider on strip
	SG 6082 Glider		SG 11305 2C glider for direct sewing
	SG 6094 Roller		
	SG 6098 Roller		
	SG 6240 Roller		
	SG 6246 Corner connection		
	SG 6269 Connection bridge		
	SG 6283 Roller		
	SG 10430 Draw rod 50 cm		
	SG 10431 Draw rod 75 cm		

SG 6380



PRODUCT INFORMATION

- **Operation:** hand
- **Range:** M - L
- **Fitting:** ceiling, wall
- **Colours:** white RAL 9016 or anodised aluminum, special colours possible
- **Fabrics:** refer to Silent Gliss fabric collection

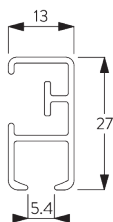
Features:

- 2-component (2C) glider technology
- Wave (2C)
- Bendable

SYSTEM SPECIFICATIONS

A. PROFILE

Profile and bending information

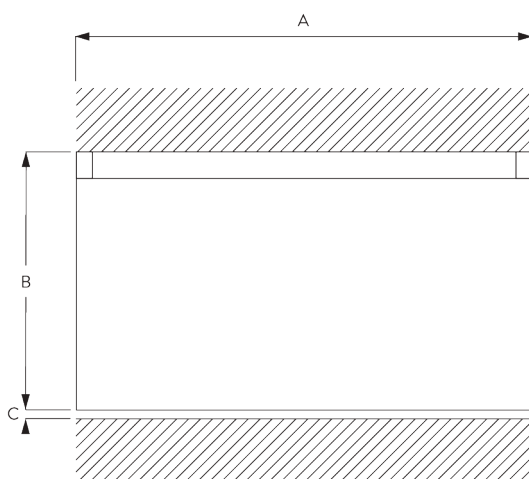


SG 6380p

Profile

Radius:
✓ 10 cm, >25 cm

B. HOW TO MEASURE



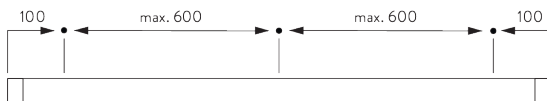
A: System width
B: System height
C: Distance between floor and fabric

FITTING

A. FITTING INFORMATION

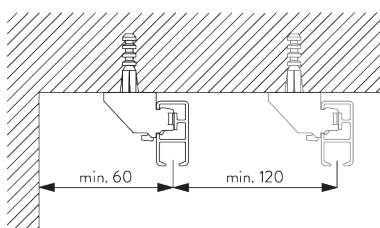
Fixing points

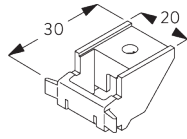
For detailed fitting information, visit the [Silent Gliss website](#).



B. CEILING FITTING

Bracket SG 3603

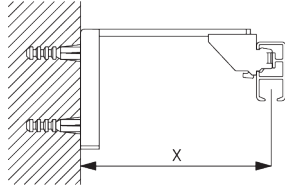




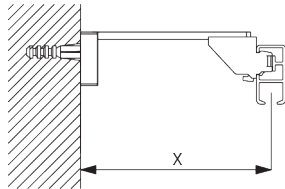
SG 3603
Bracket

C. WALL FITTING

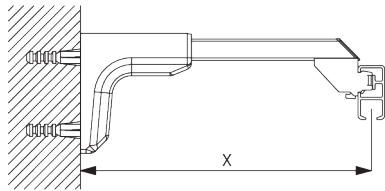
Smart Fix



Smart Fix SG 11200 - SG 11205 and bracket SG 3603:
Screw SG 10492 (M4x8) needed.

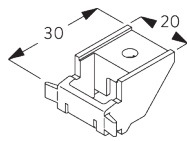


Square Smart Fix SG 11210 - SG 11215 and bracket SG 3603:
Screw SG 10492 (M4x8) needed.



Universal Smart Fix SG 11154 - SG 11156 and bracket SG 3603:
Screw SG 10277 (M4x12) needed.

Smart Fix	X mm
SG 11200 / SG 11210	72
SG 11201 / SG 11211	92
SG 11202 / SG 11212	112
SG 11203 / SG 11213	132
SG 11204 / SG 11214	162
SG 11205 / SG 11215	212
SG 11154	122-150
SG 11155	152-180
SG 11156	202-230



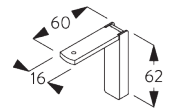
SG 3603
Bracket



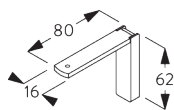
SG 10277
Pan head screw M4x12



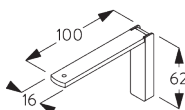
SG 10492
Pan head screw M4x8



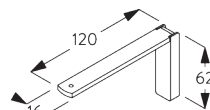
SG 11200
Smart Fix 60 mm



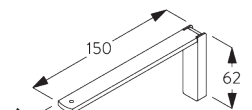
SG 11201
Smart Fix 80 mm



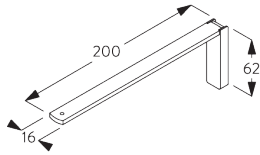
SG 11202
Smart Fix 100 mm



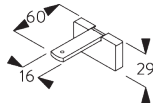
SG 11203
Smart Fix 120 mm



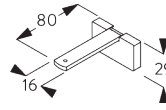
SG 11204
Smart Fix 150 mm



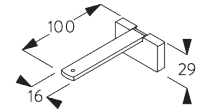
SG 11205
Smart Fix 200 mm



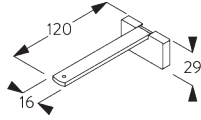
SG 11210
Square Smart Fix 60 mm



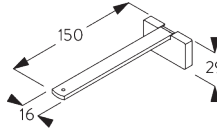
SG 11211
Square Smart Fix 80 mm



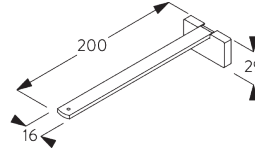
SG 11212
Square Smart Fix 100 mm



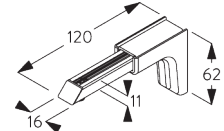
SG 11213
Square Smart Fix 120 mm



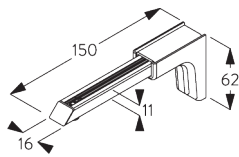
SG 11214
Square Smart Fix 150 mm



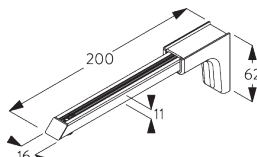
SG 11215
Square Smart Fix 200 mm



SG 11154
Universal Smart Fix 120 mm

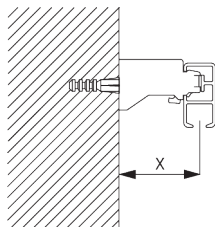


SG 11155
Universal Smart Fix 150 mm

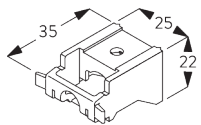


SG 11156
Universal Smart Fix 200 mm

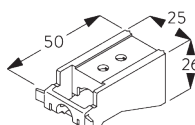
**Universal Brackets
SG 3630, SG 3655,
SG 3660**



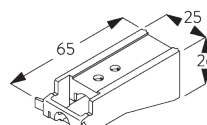
Bracket	X mm
SG 3630	35
SG 3655	50
SG 3660	65



SG 3630
Bracket 35 mm



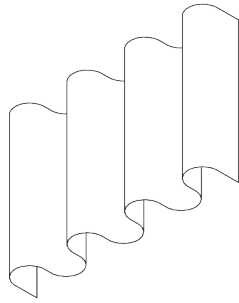
SG 3655
Bracket 50 mm



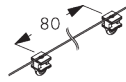
SG 3660
Bracket 65 mm

SYSTEM OPTIONS

A. WAVE



SG 11295



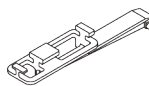
SG 11302



SG 2255



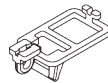
SG 2256



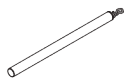
SG 6364



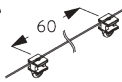
SG 6365



SG 6366



SG 10430-34



SG 11303

Standard components:

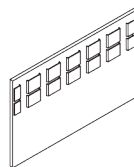
- SG 11295 End stop
- SG 11302 Wave 2C glider cord 80 mm

Optional components (min. radius >25 cm):

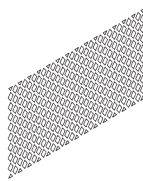
- SG 2255 Brake
- SG 2256 Brake
- SG 6364 Wave extension
- SG 6365 Wave hanger
- SG 6366 Wave carrier for draw rod
- SG 10430-34 Draw rod
- SG 11303 Wave 2C glider cord 60 mm



SG 3582



SG 6349



SG 6363



SG 10075

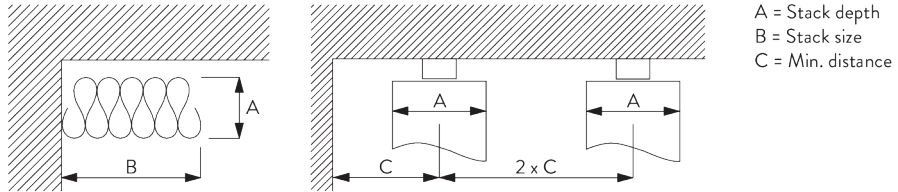


SG 10076

Curtain components:

- SG 3582 Hook
- SG 6349 Wave curtain tape
- SG 6363 Wave top hemming tape
- SG 10075 Lead weight 50 gr/m
- SG 10076 Fabric weight

Wave stack depth - 2C glider cord (standard components)




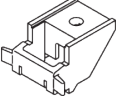





2C Glider cord SG 11302	Pockets between hooks	Approx. curtain fullness	Stack depth A	Stack size B*	Min distance C
80	6	~2.1	140	180 per metre of track	90
80	7	~2.3	160	180 per metre of track	100

2C Glider cord SG 11303	Pockets between hooks	Approx. curtain fullness	Stack depth A	Stack size B*	Min distance C
60	4	~2.1	100	230 per metre of track	70
60	5	~2.3	120	230 per metre of track	80

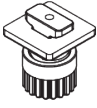

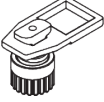











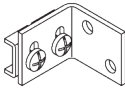
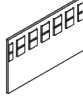
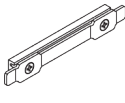

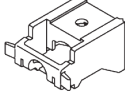
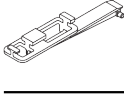
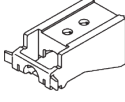
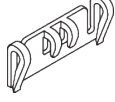
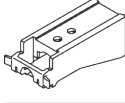
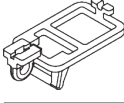



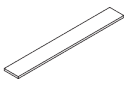
*Stack size B when using optional extension arm SG 6364 increases by 150 mm per curtain stack!

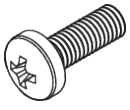
PARTS

A. STANDARD PARTS

	SG 3599 Hook
	SG 3603 Bracket
	SG 6065 End stop
	SG 6086 Spring stop
	SG 6380p Profile
	SG 6381 End cover
	SG 11300 2C glider

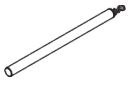
B. OPTIONAL PARTS

	SG 2255 Brake		SG 6053 Spring stop
	SG 2256 Brake		SG 6057 Glider
	SG 3012 Hook		SG 6082 Glider
	SG 3555 Hook		SG 6094 Roller
	SG 3581 Hook		SG 6098 Roller
	SG 3582 Hook		SG 6240 Roller
	SG 3598 Eyelet		SG 6283 Roller
	SG 3618 Wall bracket		SG 6349 Wave curtain tape
	SG 3620 Connection bridge		SG 6363 Wave top hemming tape
	SG 3630 Bracket 35 mm		SG 6364 Wave extension
	SG 3655 Bracket 50 mm		SG 6365 Wave hanger
	SG 3660 Bracket 65 mm		SG 6366 Wave carrier for draw rod
	SG 6004 Eyelet		SG 10075 Lead weight 50 g/m
	SG 6005 Hook		SG 10076 Fabric weight



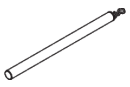
SG 10277

Pan head screw M4x12



SG 10430

Draw rod 50 cm



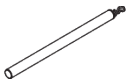
SG 10431

Draw rod 75 cm



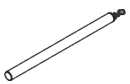
SG 10432

Draw rod 100 cm



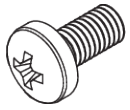
SG 10433

Draw rod 125 cm



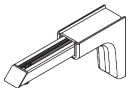
SG 10434

Draw rod 150 cm



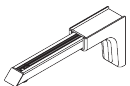
SG 10492

Pan head screw M4x8



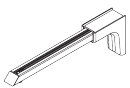
SG 11154

Universal Smart Fix 120 mm



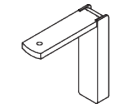
SG 11155

Universal Smart Fix 150 mm



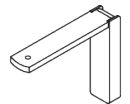
SG 11156

Universal Smart Fix 200 mm



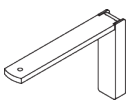
SG 11200

Smart Fix 60 mm



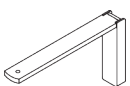
SG 11201

Smart Fix 80 mm



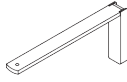
SG 11202

Smart Fix 100 mm



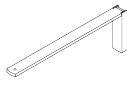
SG 11203

Smart Fix 120 mm



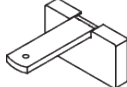
SG 11204

Smart Fix 150 mm



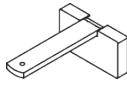
SG 11205

Smart Fix 200 mm



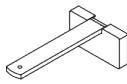
SG 11210

Square Smart Fix 60 mm



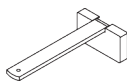
SG 11211

Square Smart Fix 80 mm



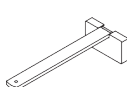
SG 11212

Square Smart Fix 100 mm



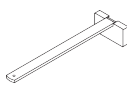
SG 11213

Square Smart Fix 120 mm



SG 11214

Square Smart Fix 150 mm



SG 11215

Square Smart Fix 200 mm



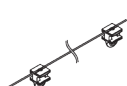
SG 11295

End stop



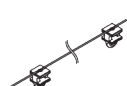
SG 11301

2C glider on strip



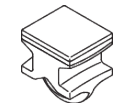
SG 11302

Wave 2C glider cord 80 mm



SG 11303

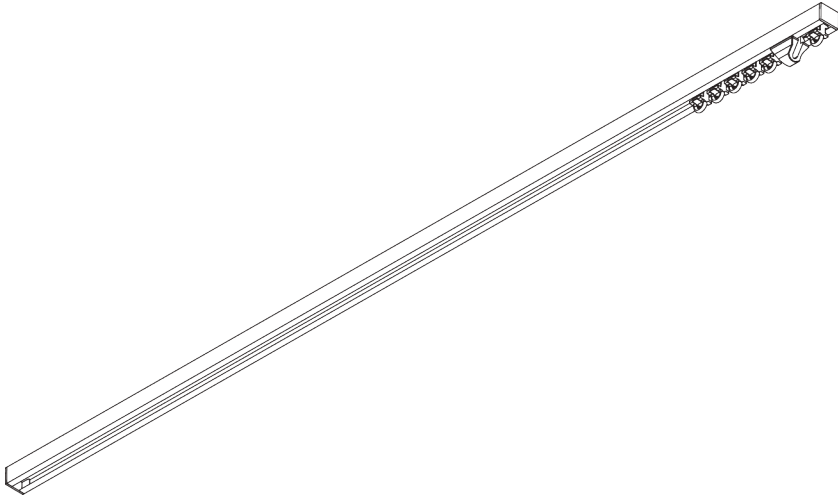
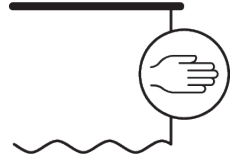
Wave 2C glider cord 60 mm



SG 11305

2C glider for direct sewing

SG 6465



PRODUCT INFORMATION

- **Operation:** hand
- **Range:** S - M
- **Fitting:** ceiling, recess
- **Colours:** white RAL 9016, black RAL 9005 or anodised aluminum, special colours possible (recess profile only in white RAL 9016, black RAL 9005 or special color)
- **Fabrics:** refer to Silent Gliss fabric collection

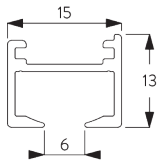
Features:

- 2-component (2C) glider technology
- Wave (2C)
- Bendable
- Bendable recess profile

SYSTEM SPECIFICATIONS

A. PROFILE

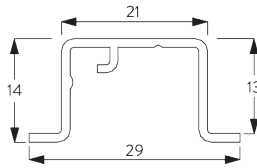
Profile and bending information



SG 6466

Profile

Radius:
✓ 8 cm, 12 cm, 16 cm,
>25 cm

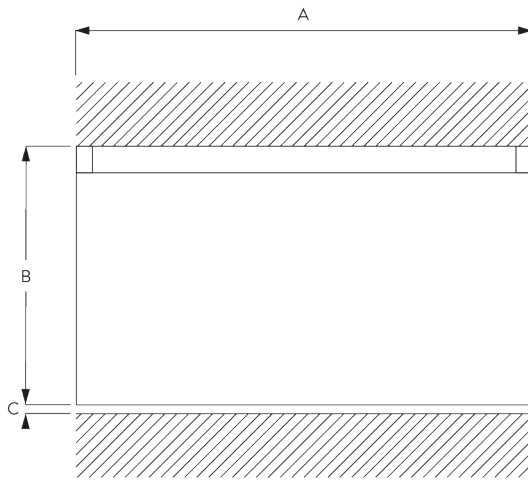


SG 11231

Recess profile

Radius:
✓ >27 cm

B. HOW TO MEASURE



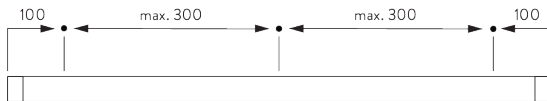
A: System width
B: System height
C: Distance between floor and fabric

FITTING

A. FITTING INFORMATION

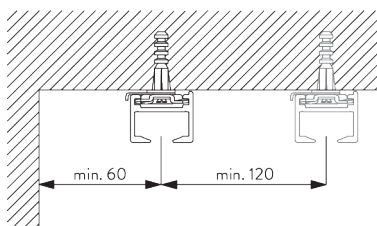
For detailed fitting information, visit the [Silent Gliss website](#).

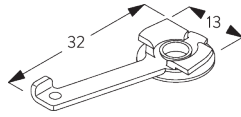
Fixing points



B. CEILING FITTING

Clamp SG 3060



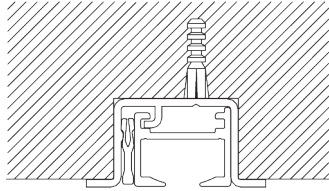


SG 3060

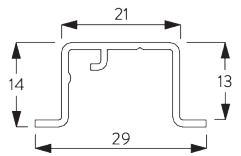
Clamp

C. RECESS FITTING

Recess profile
SG 11231

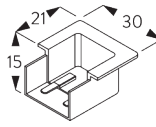


One wedge SG 11237 per fixing point.
For detailed recess fitting, visit the Silent Gliss website.



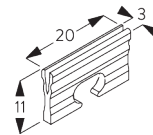
SG 11231

Recess profile



SG 11239

Recess Mask

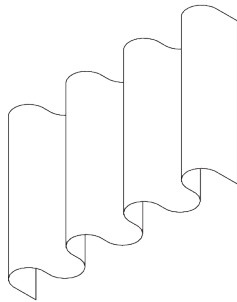


SG 11237

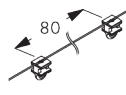
Wedge

SYSTEM OPTIONS

A. WAVE



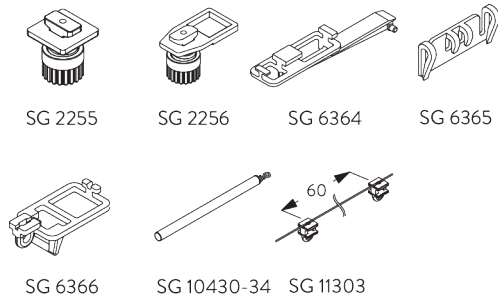
SG 11295



SG 11302

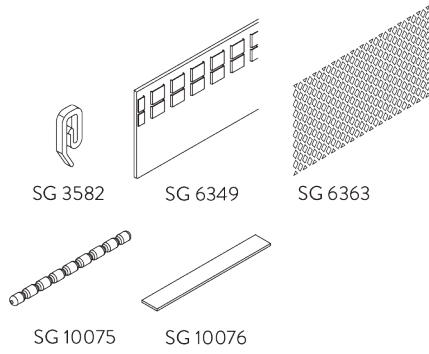
Standard components:

- SG 11295 End stop
- SG 11302 Wave 2C glider cord 80 mm



Optional components (min. radius >25 cm):

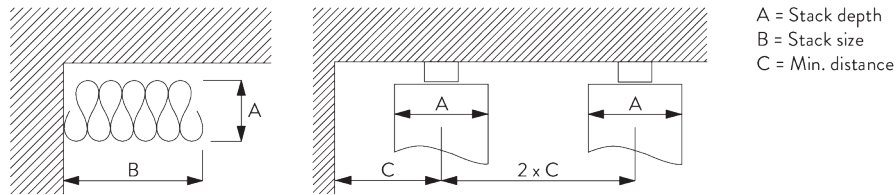
- SG 2255 Brake
- SG 2256 Brake
- SG 6364 Wave extension
- SG 6365 Wave hanger
- SG 6366 Wave carrier for draw rod
- SG 10430-34 Draw rod
- SG 11303 Wave 2C glider cord 60 mm



Curtain components:

- SG 3582 Hook
- SG 6349 Wave curtain tape
- SG 6363 Wave top hemming tape
- SG 10075 Lead weight 50 gr/m
- SG 10076 Fabric weight

Wave stack depth - 2C glider cord (standard components)



A = Stack depth
B = Stack size
C = Min. distance

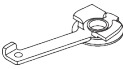


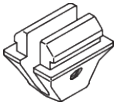
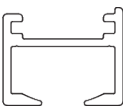
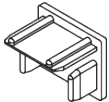

2C Glider cord SG 11302	Pockets between hooks	Approx. curtain fullness	Stack depth A	Stack size B*	Min distance C
80	6	~2.1	140	180 per metre of track	90
80	7	~2.3	160	180 per metre of track	100

2C Glider cord SG 11303	Pockets between hooks	Approx. curtain fullness	Stack depth A	Stack size B*	Min distance C
60	4	~2.1	100	230 per metre of track	70
60	5	~2.3	120	230 per metre of track	80

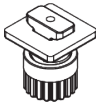
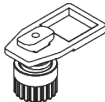





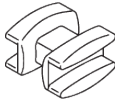


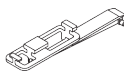
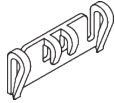
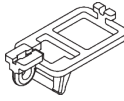
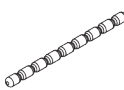
*Stack size B when using optional extension SG 6364 arm increases by 150 mm per curtain stack!

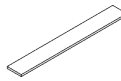
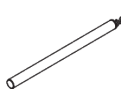
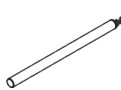
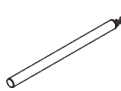
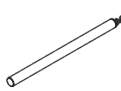
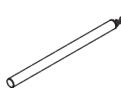
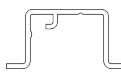
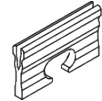
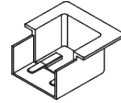
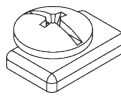

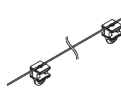
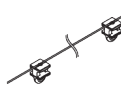

PARTS

A. STANDARD PARTS

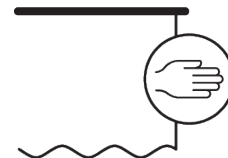
	SG 3060 Clamp
	SG 3599 Hook
	SG 6065 End stop
	SG 6245 Spring stop
	SG 6466 Profile
	SG 6471 End cover
	SG 11300 2C glider

B. OPTIONAL PARTS

	SG 2255 Brake
	SG 2256 Brake
	SG 3012 Hook
	SG 3062 Connection bridge
	SG 3582 Hook
	SG 3598 Eyelet
	SG 6057 Glider
	SG 6082 Glider
	SG 6349 Wave curtain tape
	SG 6363 Wave top hemming tape
	SG 6364 Wave extension
	SG 6365 Wave hanger
	SG 6366 Wave carrier for draw rod
	SG 10075 Lead weight 50 g/m

	SG 10076 Fabric weight
	SG 10430 Draw rod 50 cm
	SG 10431 Draw rod 75 cm
	SG 10432 Draw rod 100 cm
	SG 10433 Draw rod 125 cm
	SG 10434 Draw rod 150 cm
	SG 11231 Recess profile
	SG 11237 Wedge
	SG 11239 Recess Mask
	SG 11295 End stop
	SG 11301 2C glider on strip
	SG 11302 Wave 2C glider cord 80 mm
	SG 11303 Wave 2C glider cord 60 mm
	SG 11305 2C glider for direct sewing

SG 6475



PRODUCT INFORMATION

- **Operation:** hand
- **Range:** S - M
- **Fitting:** ceiling
- **Colours:** white RAL 9016 or anodised aluminum, special colours possible
- **Fabrics:** refer to Silent Gliss fabric collection

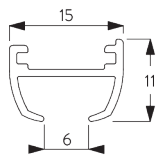
Features:

- 2-component (2C) glider technology
- Wave (2C)
- Bendable

SYSTEM SPECIFICATION

A. PROFILE

Profile and bending information

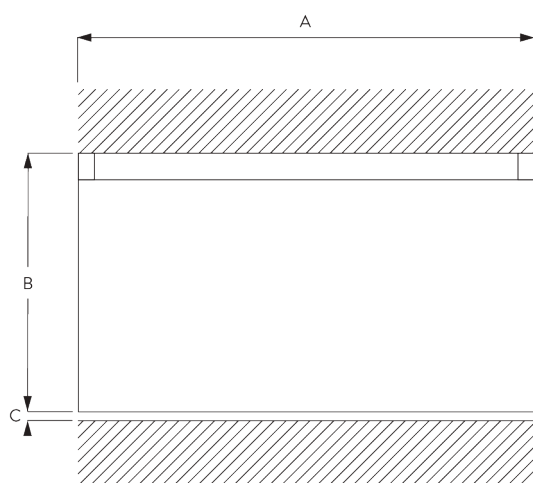


SG 6475p

Profile

Radius:
8 cm, 12 cm, 16 cm,
>25 cm

B. HOW TO MEASURE



A: System width

B: System height

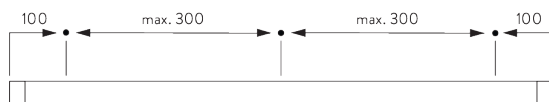
C: Distance between floor and fabric

FITTING

A. FITTING INFORMATION

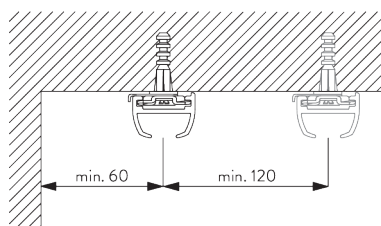
Fixing points

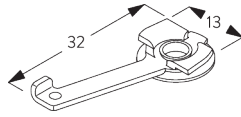
For detailed fitting information, visit the [Silent Gliss website](#).



B. CEILING FITTING

Clamp SG 3060



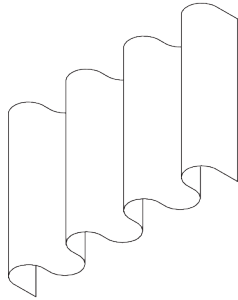


SG 3060

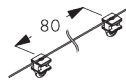
Clamp

SYSTEM OPTIONS

A. WAVE



SG 11295



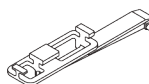
SG 11302



SG 2255



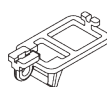
SG 2256



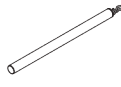
SG 6364



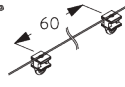
SG 6365



SG 6366



SG 10430-34



SG 11303

Standard components:

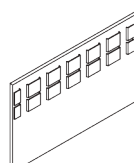
- SG 11295 End stop
- SG 11302 Wave 2C glider cord 80 mm

Optional components (min. radius >25 cm):

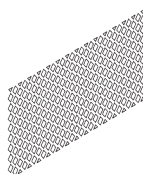
- SG 2255 Brake
- SG 2256 Brake
- SG 6364 Wave extension
- SG 6365 Wave hanger
- SG 6366 Wave carrier for draw rod
- SG 10430-34 Draw rod
- SG 11303 Wave 2C glider cord 60 mm



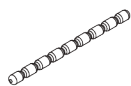
SG 3582



SG 6349



SG 6363



SG 10075

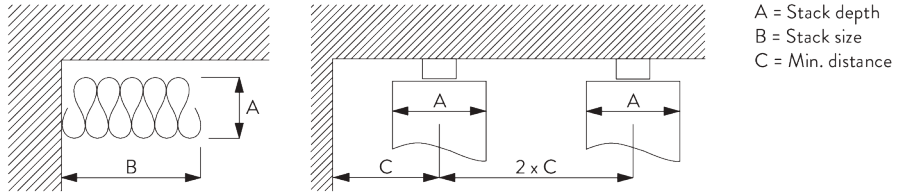


SG 10076

Curtain components:

- SG 3582 Hook
- SG 6349 Wave curtain tape
- SG 6363 Wave top hemming tape
- SG 10075 Lead weight 50 gr/m
- SG 10076 Fabric weight

Wave stack depth - 2C glider cord (standard components)



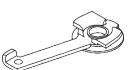


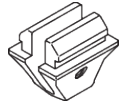

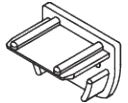

2C Glider cord SG 11302	Pockets between hooks	Approx. curtain fullness	Stack depth A	Stack size B*	Min distance C
80	6	~2.1	140	180 per metre of track	90
80	7	~2.3	160	180 per metre of track	100

2C Glider cord SG 11303	Pockets between hooks	Approx. curtain fullness	Stack depth A	Stack size B*	Min distance C
60	4	~2.1	100	230 per metre of track	70
60	5	~2.3	120	230 per metre of track	80

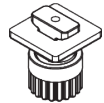
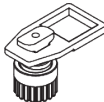




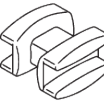


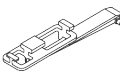
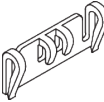
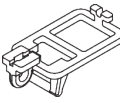


*Stack size B when using optional extension arm SG 6364 increases by 150 mm per curtain stack!

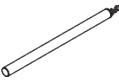
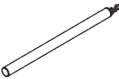
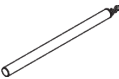
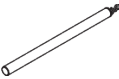
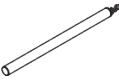
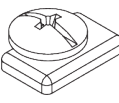

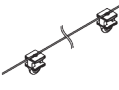
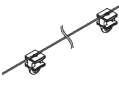
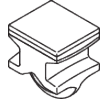
PARTS

A. STANDARD PARTS

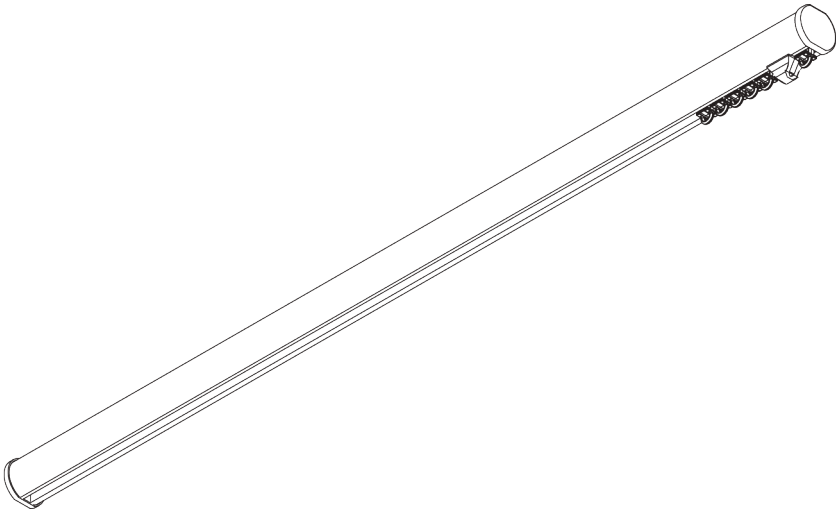
	SG 3060 Clamp
	SG 3599 Hook
	SG 6065 End stop
	SG 6245 Spring stop
	SG 6475p Profile
	SG 6476 End cover
	SG 11300 2C glider

B. OPTIONAL PARTS

	SG 2255 Brake
	SG 2256 Brake
	SG 3012 Hook
	SG 3062 Connection bridge
	SG 3582 Hook
	SG 6057 Glider
	SG 6082 Glider
	SG 6349 Wave curtain tape
	SG 6363 Wave top hemming tape
	SG 6364 Wave extension
	SG 6365 Wave hanger
	SG 6366 Wave carrier for draw rod
	SG 10075 Lead weight 50 g/m
	SG 10076 Fabric weight

	SG 10430 Draw rod 50 cm
	SG 10431 Draw rod 75 cm
	SG 10432 Draw rod 100 cm
	SG 10433 Draw rod 125 cm
	SG 10434 Draw rod 150 cm
	SG 11295 End stop
	SG 11301 2C glider on strip
	SG 11302 Wave 2C glider cord 80 mm
	SG 11303 Wave 2C glider cord 60 mm
	SG 11305 2C glider for direct sewing

SG 6815



PRODUCT INFORMATION

- **Operation:** hand
- **Range:** S - M
- **Fitting:** ceiling, wall
- **Colours:** white RAL 9016 or anodised aluminum, special colours possible
- **Fabrics:** refer to Silent Gliss fabric collection

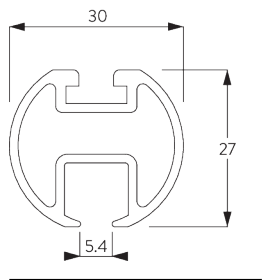
Features:

- 2-component (2C) glider technology
- Wave (2C)
- Bendable

SYSTEM SPECIFICATIONS

A. PROFILE

Profile and bending information



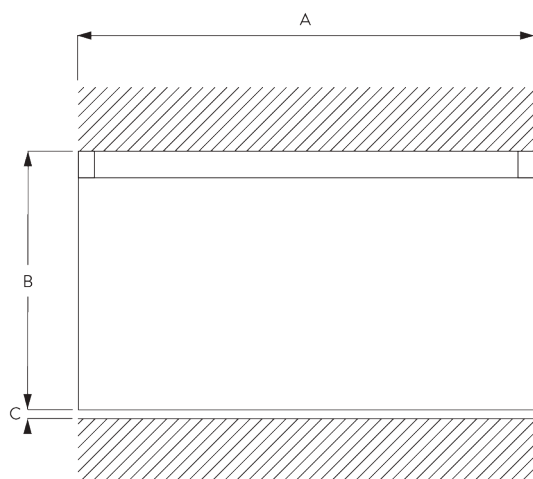
SG 6103p

Profile

Radius: >25 cm



B. HOW TO MEASURE



A: System width

B: System height

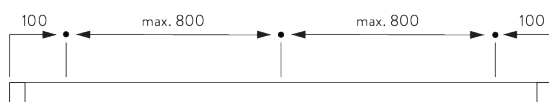
C: Distance between floor and fabric

FITTING

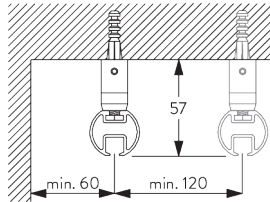
A. FITTING INFORMATION

Fixing points

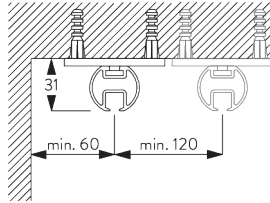
For detailed fitting information, visit the [Silent Gliss website](#).



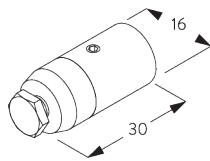
B. CEILING FITTING



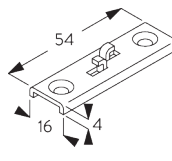
Mini hanger SG 6175



Bracket SG 6124



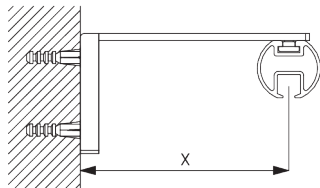
SG 6175
Mini hanger



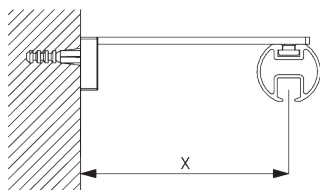
SG 6124
Bracket

C. WALL FITTING

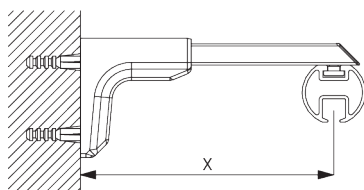
Smart Fix



Smart Fix with slot SG 11206 - SG 11208:
Screw SG 10492 (M4x8) needed.

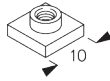


Square Smart Fix with slot SG 11216 - SG 11218:
Screw SG 10492 (M4x8) needed.



Universal Smart Fix SG 11154 - SG 11156:
Screw SG 11131 (M4x6) needed.

Smart Fix	X mm
SG 11206 / SG 11216	33-51
SG 11207 / SG 11217	53-71
SG 11208 / SG 11218	73-91
SG 11154	102-130
SG 11155	132-160
SG 11156	182-210



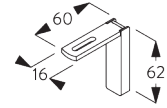
SG 6117
Slot nut



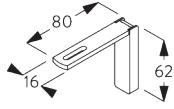
SG 10492
Pan head screw M4x8



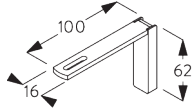
SG 11131
Pan head screw with flange
M4x6



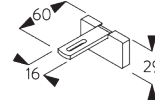
SG 11206
Smart Fix with slot 60 mm



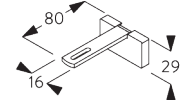
SG 11207
Smart Fix with slot 80 mm



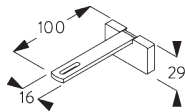
SG 11208
Smart Fix with slot 100 mm



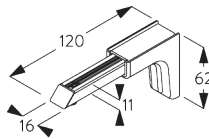
SG 11216
Square Smart Fix with slot 60
mm



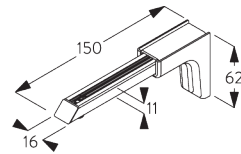
SG 11217
Square Smart Fix with slot 80
mm



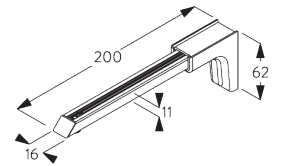
SG 11218
Square Smart Fix with slot
100 mm



SG 11154
Universal Smart Fix 120 mm



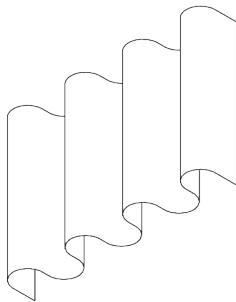
SG 11155
Universal Smart Fix 150 mm



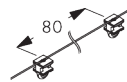
SG 11156
Universal Smart Fix 200 mm

SYSTEM OPTIONS

A. WAVE



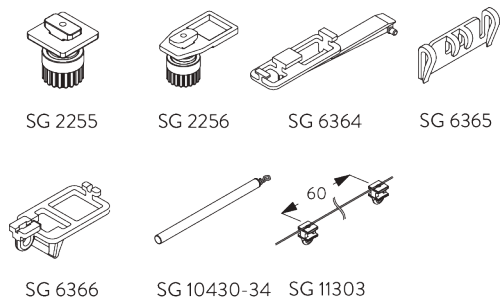
SG 11295



SG 11302

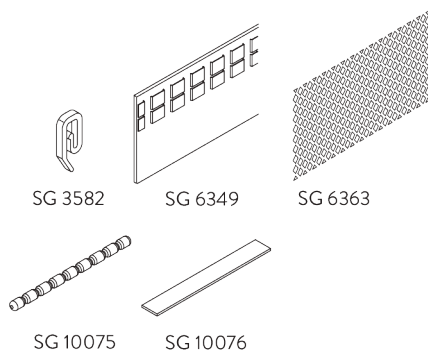
Standard components:

- SG 11295 End stop
- SG 11302 Wave 2C glider cord 80 mm



Optional components:

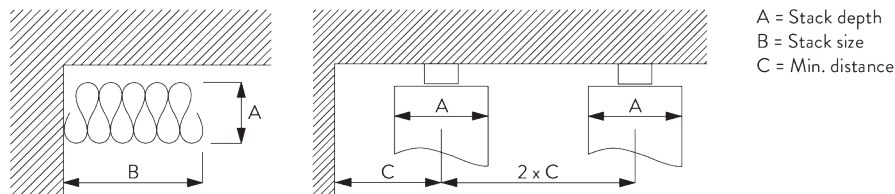
- SG 2255 Brake
- SG 2256 Brake
- SG 6364 Wave extension
- SG 6365 Wave hanger
- SG 6366 Wave carrier for draw rod
- SG 10430-34 Draw rod
- SG 11303 Wave 2C glider cord 60 mm



Curtain components:

- SG 3582 Hook
- SG 6349 Wave curtain tape
- SG 6363 Wave top hemming tape
- SG 10075 Lead weight 50 gr/m
- SG 10076 Fabric weight

Wave stack depth - 2C glider cord (standard components)



A = Stack depth
 B = Stack size
 C = Min. distance



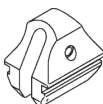

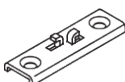
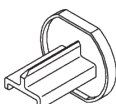

2C Glider cord SG 11302	Pockets between hooks	Approx. curtain fullness	Stack depth A	Stack size B*	Min distance C
80	6	~2.1	140	180 per metre of track	90
80	7	~2.3	160	180 per metre of track	100

2C Glider cord SG 11303	Pockets between hooks	Approx. curtain fullness	Stack depth A	Stack size B*	Min distance C
60	4	~2.1	100	230 per metre of track	70
60	5	~2.3	120	230 per metre of track	80

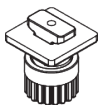
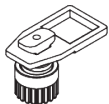



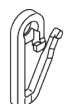






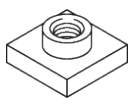
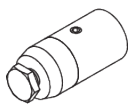
*Stack size B when using optional extension arm SG 6364 increases by 150 mm per curtain stack!





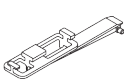
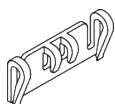
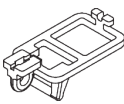
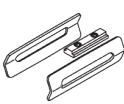
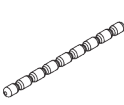
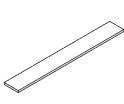
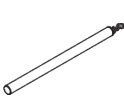
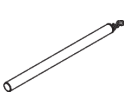

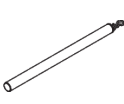
PARTS

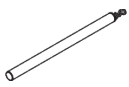
A. STANDARD PARTS

	SG 3599 Hook
	SG 6065 End stop
	SG 6086 Spring stop
	SG 6103p Profile
	SG 6124 Bracket
	SG 6630 End cover
	SG 11300 2C glider

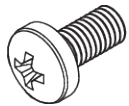
B. OPTIONAL PARTS

	SG 2255 Brake
	SG 2256 Brake
	SG 3012 Hook
	SG 3581 Hook
	SG 3582 Hook
	SG 3598 Eyelet
	SG 6004 Eyelet
	SG 6053 Spring stop
	SG 6057 Glider
	SG 6082 Glider
	SG 6094 Roller
	SG 6098 Roller
	SG 6117 Slot nut
	SG 6175 Mini hanger

	SG 6240 Roller
	SG 6283 Roller
	SG 6349 Wave curtain tape
	SG 6363 Wave top hemming tape
	SG 6364 Wave extension
	SG 6365 Wave hanger
	SG 6366 Wave carrier for draw rod
	SG 6635 Connection bridge set
	SG 10075 Lead weight 50 g/m
	SG 10076 Fabric weight
	SG 10430 Draw rod 50 cm
	SG 10431 Draw rod 75 cm
	SG 10432 Draw rod 100 cm
	SG 10433 Draw rod 125 cm



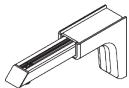
SG 10434
Draw rod 150 cm



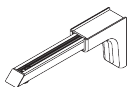
SG 10492
Pan head screw M4x8



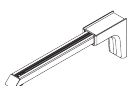
SG 11131
Pan head screw with flange M4x6



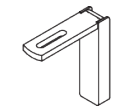
SG 11154
Universal Smart Fix 120 mm



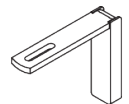
SG 11155
Universal Smart Fix 150 mm



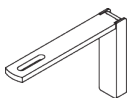
SG 11156
Universal Smart Fix 200 mm



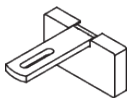
SG 11206
Smart Fix with slot 60 mm



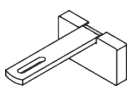
SG 11207
Smart Fix with slot 80 mm



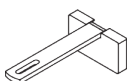
SG 11208
Smart Fix with slot 100 mm



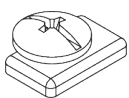
SG 11216
Square Smart Fix with slot 60 mm



SG 11217
Square Smart Fix with slot 80 mm



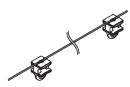
SG 11218
Square Smart Fix with slot 100 mm



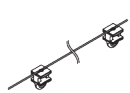
SG 11295
End stop



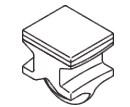
SG 11301
2C glider on strip



SG 11302
Wave 2C glider cord 80 mm

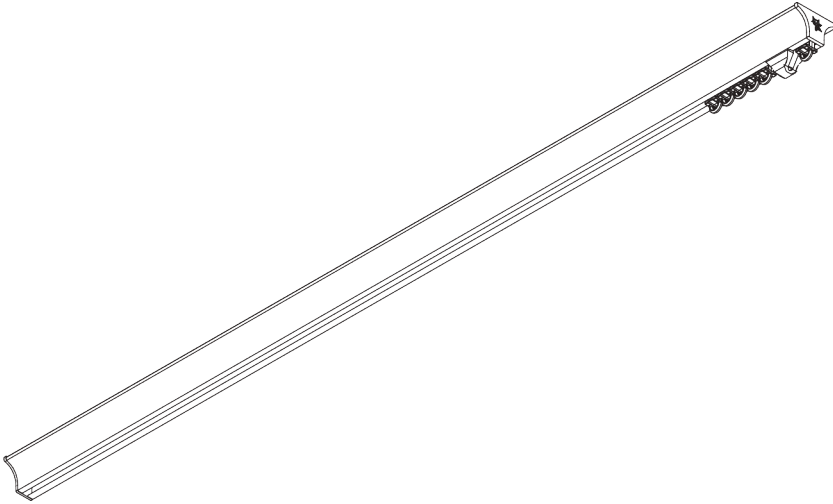


SG 11303
Wave 2C glider cord 60 mm



SG 11305
2C glider for direct sewing

SG 6820



PRODUCT INFORMATION

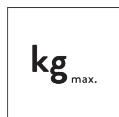
- **Operation:** hand
- **Range:** S - M
- **Fitting:** ceiling
- **Colours:** white RAL 9016 or anodised aluminum, special colours possible
- **Fabrics:** refer to Silent Gliss fabric collection

Features:

- 2-component (2C) glider technology
- Wave (2C)
- Symmetrical funnel design
- Bendable

SYSTEM SPECIFICATIONS

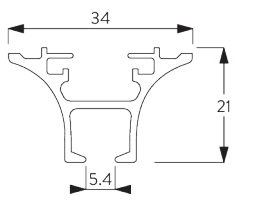
A. SYSTEM DIMENSIONS



10 kg

B. PROFILE

Profile and bending information



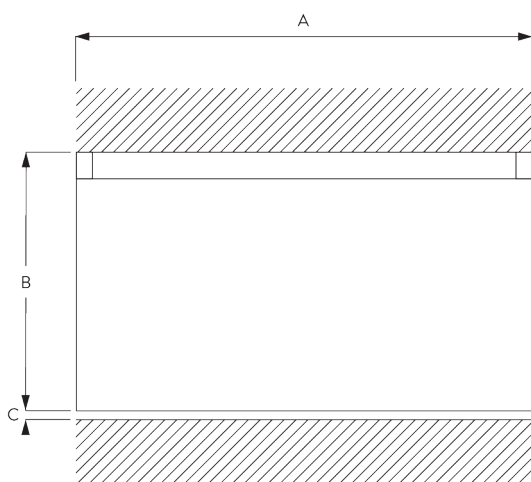
SG 6821

Profile Funnel

Radius: >27 cm



C. HOW TO MEASURE



A: System width

B: System height

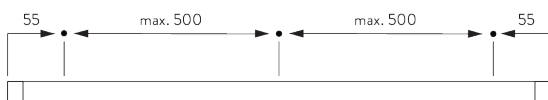
C: Distance between floor and fabric

FITTING

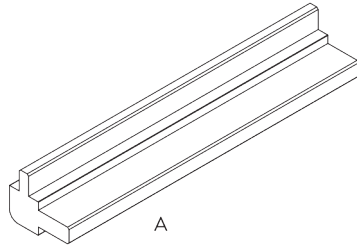
A. FITTING INFORMATION

For detailed fitting information, visit the Silent Gliss website.

Fixing points



Fitting Tool

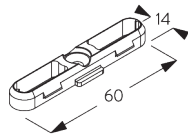
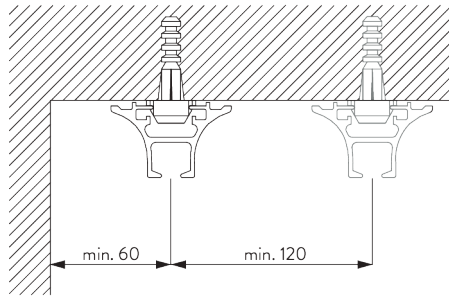


A: Funnel fitting tool SG 6827

For fitting / removing of the funnel profile.

B. CEILING FITTING

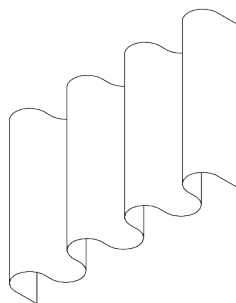
Clip SG 11236



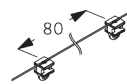
SG 11236
Clip

SYSTEM OPTIONS

A. WAVE



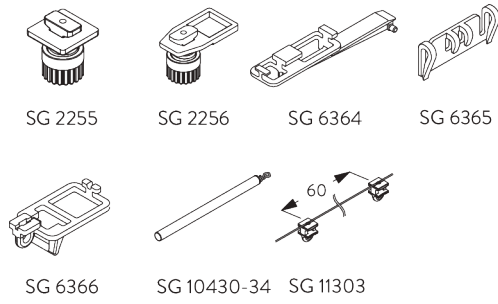
SG 11295



SG 11302

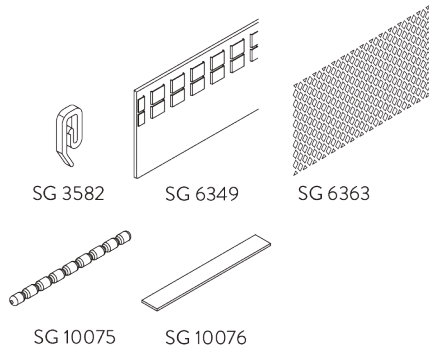
Standard components:

- SG 11295 End stop
- SG 11302 Wave 2C glider cord 80 mm



Optional components:

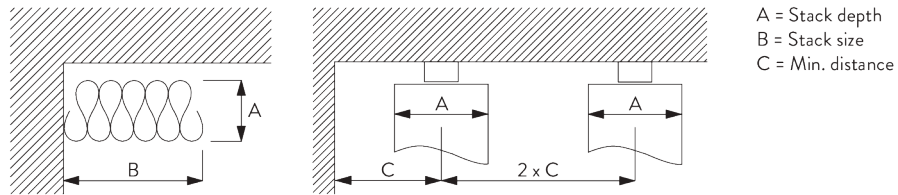
- SG 2255 Brake
- SG 2256 Brake
- SG 6364 Wave extension
- SG 6365 Wave hanger
- SG 6366 Wave carrier for draw rod
- SG 10430-34 Draw rod
- SG 11303 Wave 2C glider cord 60 mm



Curtain components:

- SG 3582 Hook
- SG 6349 Wave curtain tape
- SG 6363 Wave iron tape
- SG 10075 Lead weight 50 gr/m
- SG 10076 Fabric weight

Wave stack depth - 2C glider cord (standard components)



A = Stack depth
B = Stack size
C = Min. distance






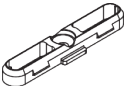

2C Glider cord SG 11302	Pockets between hooks	Approx. curtain fullness	Stack depth A	Stack size B*	Min distance C
80	6	~2.1	140	180 per metre of track	90
80	7	~2.3	160	180 per metre of track	100

2C Glider cord SG 11303	Pockets between hooks	Approx. curtain fullness	Stack depth A	Stack size B*	Min distance C
60	4	~2.1	100	230 per metre of track	70
60	5	~2.3	120	230 per metre of track	80

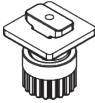
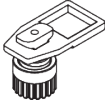


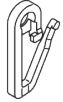
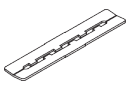




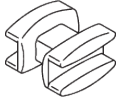



*Stack size B when using optional extension arm SG 6364 increases by 150 mm per curtain stack!



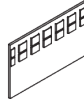
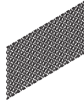
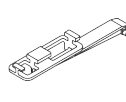
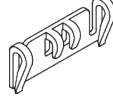
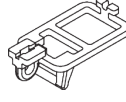

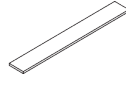

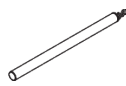
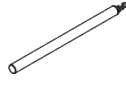
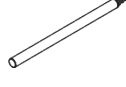
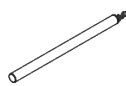
PARTS

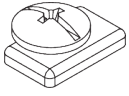
A. STANDARD PARTS

	SG 3599 Hook
	SG 6065 End stop
	SG 6086 Spring stop
	SG 6821 Profile Funnel
	SG 6823 End cover
	SG 11236 Clip
	SG 11300 2C glider

B. OPTIONAL PARTS

	SG 2255 Brake
	SG 2256 Brake
	SG 3012 Hook
	SG 3582 Hook
	SG 3598 Eyelet
	SG 3802 Connection bridge
	SG 6004 Eyelet
	SG 6005 Hook
	SG 6053 Spring stop
	SG 6057 Glider
	SG 6082 Glider
	SG 6094 Roller
	SG 6098 Roller
	SG 6146 Hook

	SG 6240 Roller
	SG 6283 Roller
	SG 6349 Wave curtain tape
	SG 6363 Wave top hemming tape
	SG 6364 Wave extension
	SG 6365 Wave hanger
	SG 6366 Wave carrier for draw rod
	SG 10075 Lead weight 50 g/m
	SG 10076 Fabric weight
	SG 10430 Draw rod 50 cm
	SG 10431 Draw rod 75 cm
	SG 10432 Draw rod 100 cm
	SG 10433 Draw rod 125 cm
	SG 10434 Draw rod 150 cm



SG 11295

End stop



SG 11301

2C glider on strip



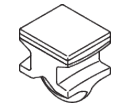
SG 11302

Wave 2C glider cord 80 mm



SG 11303

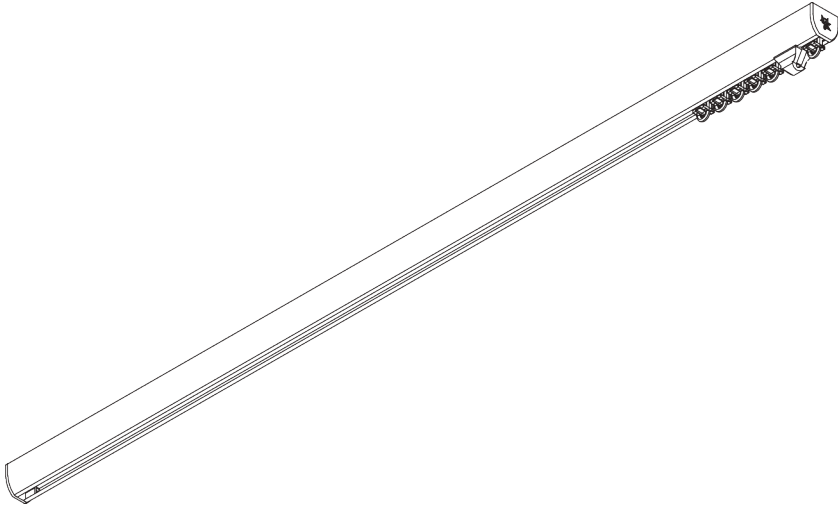
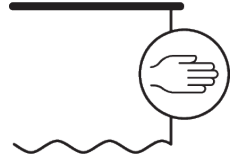
Wave 2C glider cord 60 mm



SG 11305

2C glider for direct sewing

SG 6840



PRODUCT INFORMATION

- **Operation:** hand
- **Range:** M - L
- **Fitting:** ceiling, wall
- **Colours:** white RAL 9016, black RAL 9005 or anodised aluminum, special colours possible
- **Fabrics:** refer to Silent Gliss fabric collection

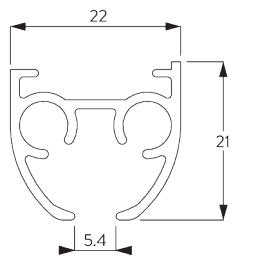
Features:

- 2-component (2C) glider technology
- Wave (2C)
- Bendable

SYSTEM SPECIFICATIONS

A. PROFILE

Profile and bending information

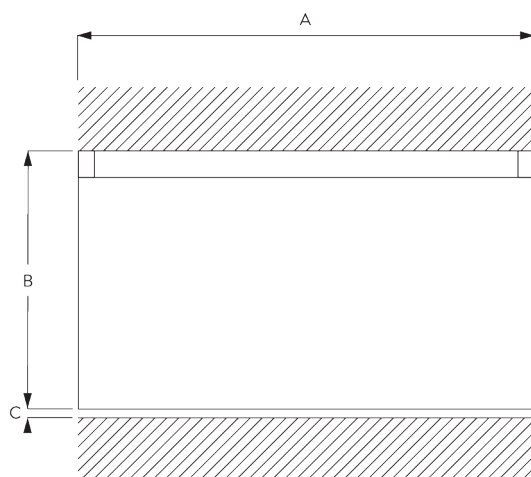


SG 3841

Profile

Radius:
✓ 20 cm, >30 cm

B. HOW TO MEASURE



A: System width

B: System height

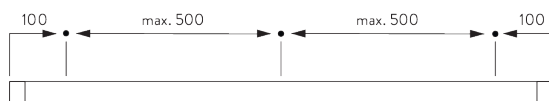
C: Distance between floor and fabric

FITTING

A. FITTING INFORMATION

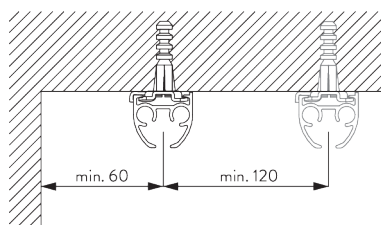
Fixing points

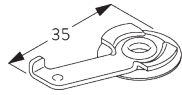
For detailed fitting information, visit the [Silent Gliss website](#).



B. CEILING FITTING

Clamp SG 3825

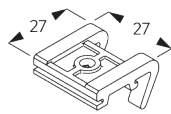
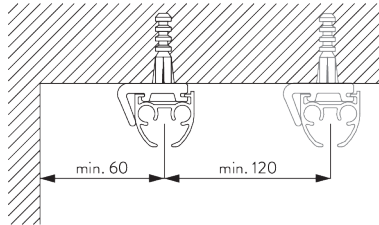




SG 3825

Clamp

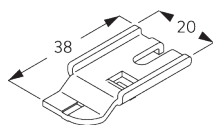
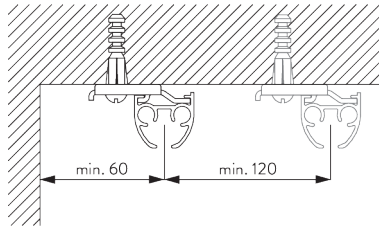
Bracket SG 3826



SG 3826

Bracket

Bracket SG 3832

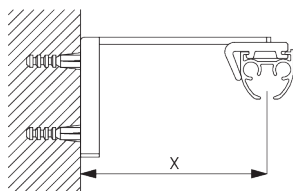


SG 3832

Bracket

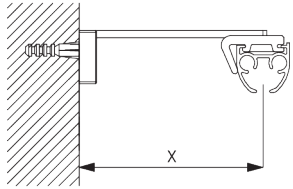
C. WALL FITTING

Smart Fix



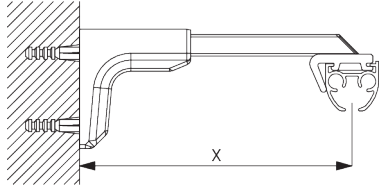
Smart Fix SG 11200 - SG 11205 and bracket SG 3826:
Screw SG 10492 (M4x8) needed.

Smart Fix	X mm (SG 3826 / SG 3825)	X mm (SG 3832)
SG 11200 / SG 11210	52	70
SG 11201 / SG 11211	72	90
SG 11202 / SG 11212	92	110
SG 11203 / SG 11213	112	130
SG 11204 / SG 11214	142	160
SG 11205 / SG 11215	192	210
SG 11154	102-130	120-148
SG 11155	132-160	150-178
SG 11156	182-210	200-228



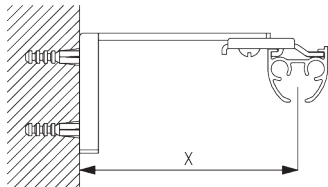
**Square Smart Fix SG 11210 - SG 11215 and bracket
SG 3826:**

Screw SG 10492 (M4x8) needed.



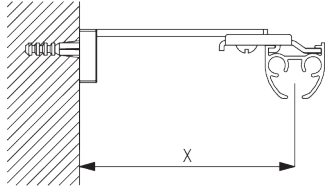
**Universal Smart Fix SG 11154 - SG 11156 and bracket
SG 3826:**

Screw SG 10277 (M4x12) needed.



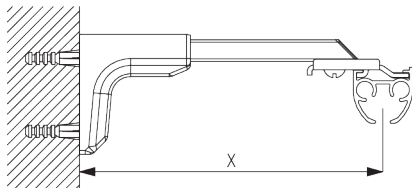
Smart Fix SG 11200 - SG 11205 and bracket SG 3832:

Screw SG 10492 (M4x8) needed.



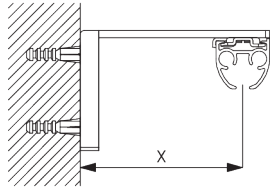
**Square Smart Fix SG 11210 - SG 11215 and bracket
SG 3832:**

Screw SG 10492 (M4x8) needed.

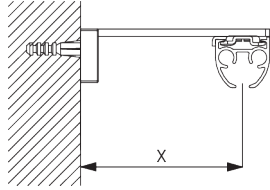


**Universal Smart Fix SG 11154 - SG 11156 and bracket
SG 3832:**

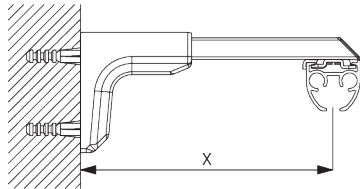
Screw SG 10407 (M4x10) needed.



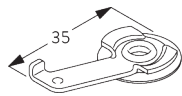
Smart Fix SG 11200 - SG 11205 and clamp SG 3825:
Screw SG 10074 (M4x8) needed.



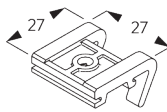
Square Smart Fix SG 11210 - SG 11215 and clamp SG 3825:
Screw SG 10074 (M4x8) needed.



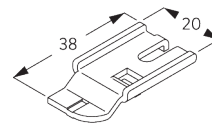
Universal Smart Fix SG 11154 - SG 11156 and clamp SG 3825:
Screw SG 11158 (M4x12) needed.



SG 3825
Clamp



SG 3826
Bracket



SG 3832
Bracket



SG 10074
Countersunk head screw
M4x8



SG 10277
Pan head screw M4x12



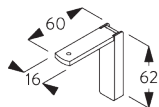
SG 10407
Pan head screw M4x10



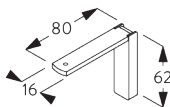
SG 10492
Pan head screw M4x8



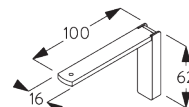
SG 11158
Countersunk head screw
M4x12



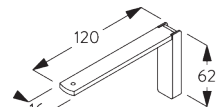
SG 11200
Smart Fix 60 mm



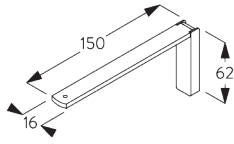
SG 11201
Smart Fix 80 mm



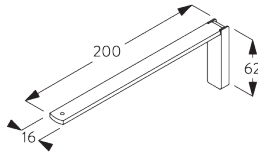
SG 11202
Smart Fix 100 mm



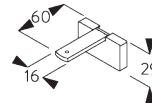
SG 11203
Smart Fix 120 mm



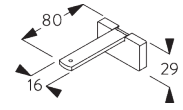
SG 11204
Smart Fix 150 mm



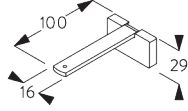
SG 11205
Smart Fix 200 mm



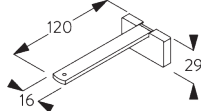
SG 11210
Square Smart Fix 60 mm



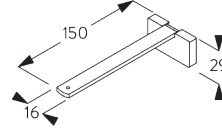
SG 11211
Square Smart Fix 80 mm



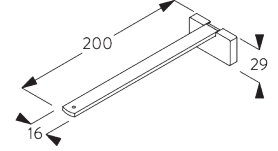
SG 11212
Square Smart Fix 100 mm



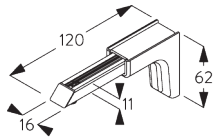
SG 11213
Square Smart Fix 120 mm



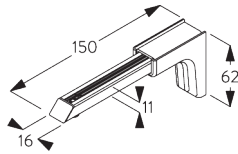
SG 11214
Square Smart Fix 150 mm



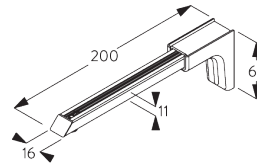
SG 11215
Square Smart Fix 200 mm



SG 11154
Universal Smart Fix 120 mm

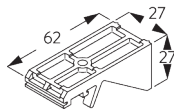
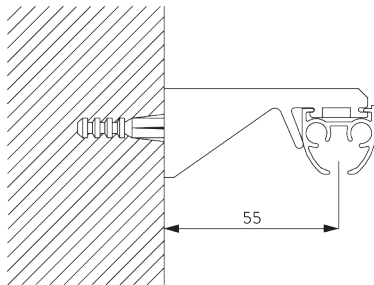


SG 11155
Universal Smart Fix 150 mm



SG 11156
Universal Smart Fix 200 mm

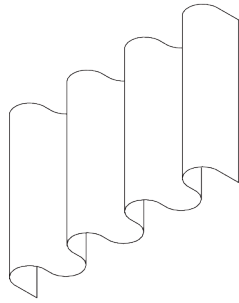
Bracket SG 3836



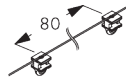
SG 3836
Bracket

SYSTEM OPTIONS

A. WAVE



SG 11295



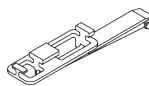
SG 11302



SG 2255



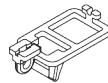
SG 2256



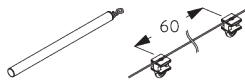
SG 6364



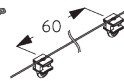
SG 6365



SG 6366



SG 10430-34



SG 11303

Standard components:

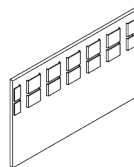
- SG 11295 End stop
- SG 11302 Wave 2C glider cord 80 mm

Optional components (min. Radius: >30 cm):

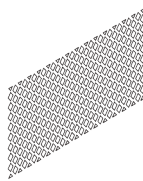
- SG 2255 Brake
- SG 2256 Brake
- SG 6364 Wave extension
- SG 6365 Wave hanger
- SG 6366 Wave carrier for draw rod
- SG 10430-34 Draw rod
- SG 11303 Wave 2C glider cord 60 mm



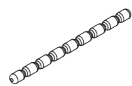
SG 3582



SG 6349



SG 6363



SG 10075

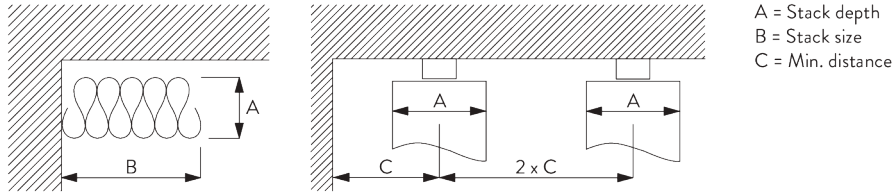


SG 10076

Curtain components:

- SG 3582 Hook
- SG 6349 Wave curtain tape
- SG 6363 Wave top hemming tape
- SG 10075 Lead weight 50 gr/m
- SG 10076 Fabric weight

Wave stack depth - 2C glider cord (standard components)




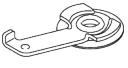




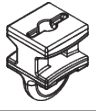
2C Glider cord SG 11302	Pockets between hooks	Approx. curtain fullness	Stack depth A	Stack size B*	Min distance C
80	6	~2.1	140	180 per metre of track	90
80	7	~2.3	160	180 per metre of track	100

2C Glider cord SG 11303	Pockets between hooks	Approx. curtain fullness	Stack depth A	Stack size B*	Min distance C
60	4	~2.1	100	230 per metre of track	70
60	5	~2.3	120	230 per metre of track	80

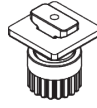
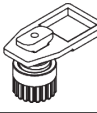

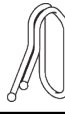

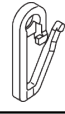
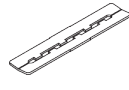
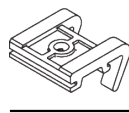
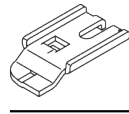
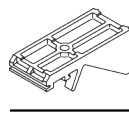


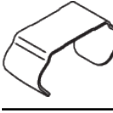

*Stack size B when using optional extension arm SG 6364 increases by 150 mm per curtain stack!

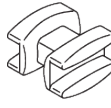




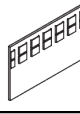
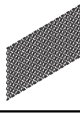
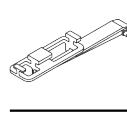
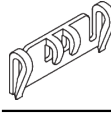
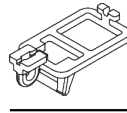
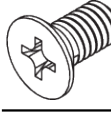
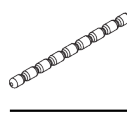
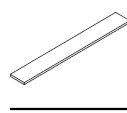
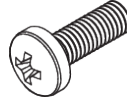
PARTS

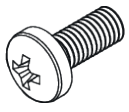
A. STANDARD PARTS

	SG 3599 Hook
	SG 3825 Clamp
	SG 3841 Profile
	SG 3842 End cover
	SG 6065 End stop
	SG 6086 Spring stop
	SG 11300 2C glider

B. OPTIONAL PARTS

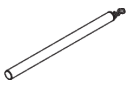
	SG 2255 Brake
	SG 2256 Brake
	SG 3012 Hook
	SG 3581 Hook
	SG 3582 Hook
	SG 3598 Eyelet
	SG 3802 Connection bridge
	SG 3826 Bracket
	SG 3832 Bracket
	SG 3836 Bracket
	SG 6004 Eyelet
	SG 6005 Hook
	SG 6053 Spring stop
	SG 6057 Glider

	SG 6082 Glider
	SG 6094 Roller
	SG 6098 Roller
	SG 6240 Roller
	SG 6283 Roller
	SG 6349 Wave curtain tape
	SG 6363 Wave top hemming tape
	SG 6364 Wave extension
	SG 6365 Wave hanger
	SG 6366 Wave carrier for draw rod
	SG 10074 Countersunk head screw M4x8
	SG 10075 Lead weight 50 g/m
	SG 10076 Fabric weight
	SG 10277 Pan head screw M4x12



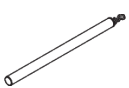
SG 10407

Pan head screw M4x10



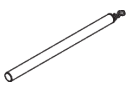
SG 10430

Draw rod 50 cm



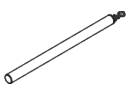
SG 10431

Draw rod 75 cm



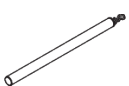
SG 10432

Draw rod 100 cm



SG 10433

Draw rod 125 cm



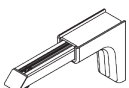
SG 10434

Draw rod 150 cm



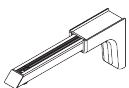
SG 10492

Pan head screw M4x8



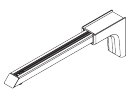
SG 11154

Universal Smart Fix 120 mm



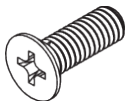
SG 11155

Universal Smart Fix 150 mm



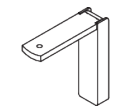
SG 11156

Universal Smart Fix 200 mm



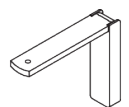
SG 11158

Countersunk head screw M4x12



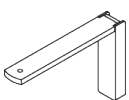
SG 11200

Smart Fix 60 mm



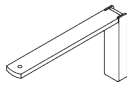
SG 11201

Smart Fix 80 mm



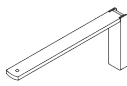
SG 11202

Smart Fix 100 mm



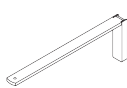
SG 11203

Smart Fix 120 mm



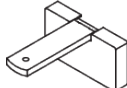
SG 11204

Smart Fix 150 mm



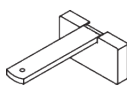
SG 11205

Smart Fix 200 mm



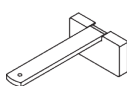
SG 11210

Square Smart Fix 60 mm



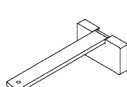
SG 11211

Square Smart Fix 80 mm



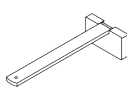
SG 11212

Square Smart Fix 100 mm



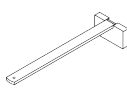
SG 11213

Square Smart Fix 120 mm



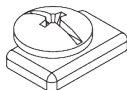
SG 11214

Square Smart Fix 150 mm



SG 11215

Square Smart Fix 200 mm



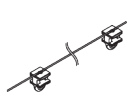
SG 11295

End stop



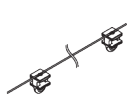
SG 11301

2C glider on strip



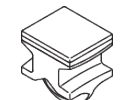
SG 11302

Wave 2C glider cord 80 mm



SG 11303

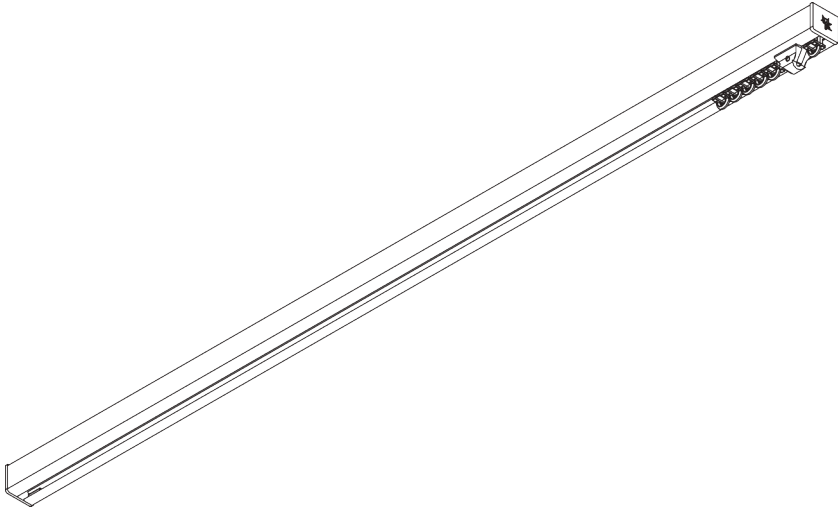
Wave 2C glider cord 60 mm



SG 11305

2C glider for direct sewing

SG 6870



PRODUCT INFORMATION

- **Operation:** hand
- **Range:** M - L
- **Fitting:** ceiling, wall, recess
- **Colours:** white RAL 9016, black RAL 9005 or anodised aluminum, special colours possible (recess profile only in white RAL 9016, black RAL 9005 or special color)
- **Fabrics:** refer to Silent Gliss fabric collection

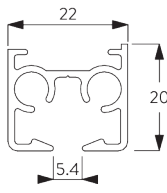
Features:

- 2-component (2C) glider technology
- Wave (2C)
- Bendable
- Bendable recess profile

SYSTEM SPECIFICATIONS

A. PROFILE

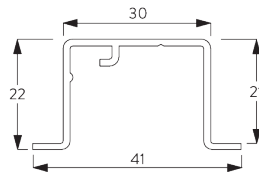
Profile and bending information



SG 11190

Profile

Radius:  >26 cm

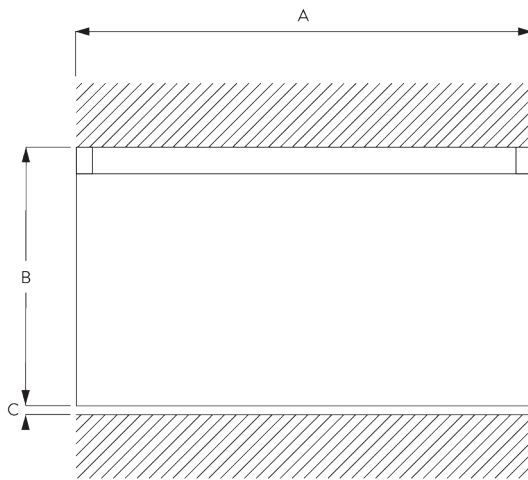


SG 11230

Recess profile

Radius:  >50 cm

B. HOW TO MEASURE

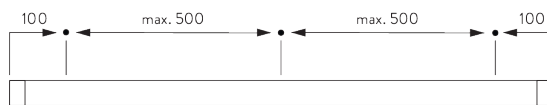


A: System width
B: System height
C: Distance between floor and fabric

FITTING

A. FITTING INFORMATION

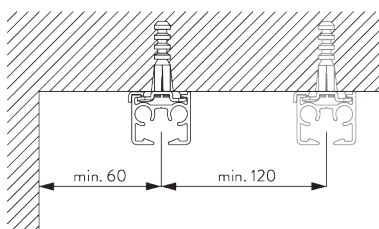
Fixing points

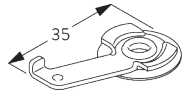


For detailed fitting information, visit the [Silent Gliss website](#).

B. CEILING FITTING

Clamp SG 3825

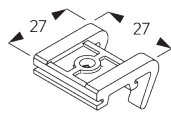
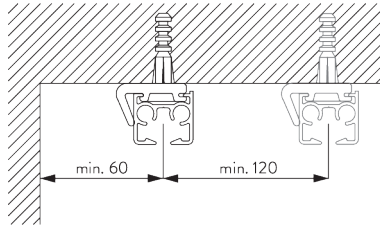




SG 3825

Clamp

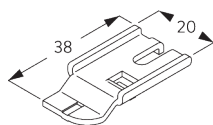
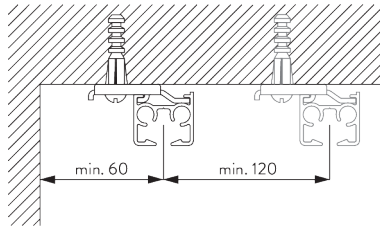
Bracket SG 3826



SG 3826

Bracket

Bracket SG 3832

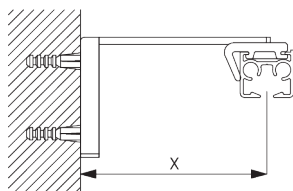


SG 3832

Bracket

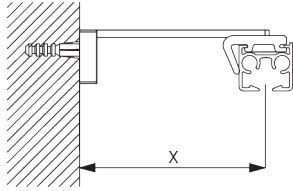
C. WALL FITTING

Smart Fix

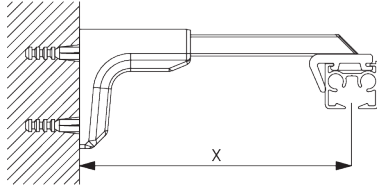


Smart Fix SG 11200 - SG 11205 and bracket SG 3826:
Screw SG 10492 (M4x8) needed.

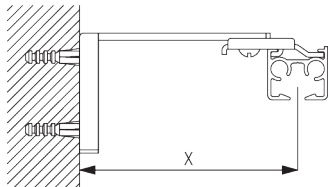
Smart Fix	X mm (SG 3826 / SG 3825)	X mm (SG 3832)
SG 11200 / SG 11210	52	70
SG 11201 / SG 11211	72	90
SG 11202 / SG 11212	92	110
SG 11203 / SG 11213	112	130
SG 11204 / SG 11214	142	160
SG 11205 / SG 11215	192	210
SG 11154	102-130	120-148
SG 11155	132-160	150-178
SG 11156	182-210	200-228



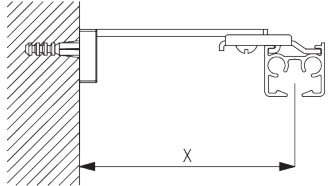
Square Smart Fix SG 11210 - SG 11215 and bracket SG 3826:
Screw SG 10492 (M4x8) needed.



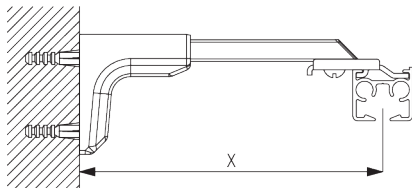
Universal Smart Fix SG 11154 - SG 11156 and bracket SG 3826:
Screw SG 10277 (M4x12) needed.



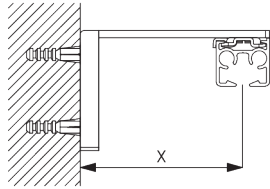
Smart Fix SG 11200 - SG 11205 and bracket SG 3832:
Screw SG 10492 (M4x8) needed.



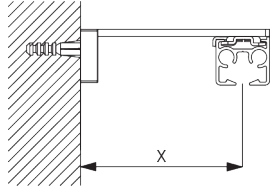
Square Smart Fix SG 11210 - SG 11215 and bracket SG 3832:
Screw SG 10492 (M4x8) needed.



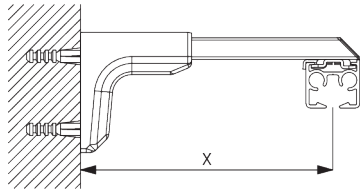
Universal Smart Fix SG 11154 - SG 11156 and bracket SG 3832:
Screw SG 10407 (M4x10) needed.



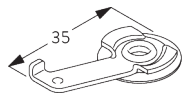
Smart Fix SG 11200 - SG 11205 and clamp SG 3825:
Screw SG 10074 (M4x8) needed.



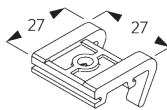
Square Smart Fix SG 11210 - SG 11215 and clamp SG 3825:
Screw SG 10074 (M4x8) needed.



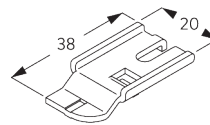
Universal Smart Fix SG 11154 - SG 11156 and clamp SG 3825:
Screw SG 11158 (M4x12) needed.



SG 3825
Clamp



SG 3826
Bracket



SG 3832
Bracket



SG 10074
Countersunk head screw
M4x8



SG 10277
Pan head screw M4x12



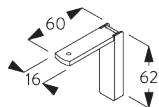
SG 10407
Pan head screw M4x10



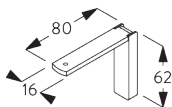
SG 10492
Pan head screw M4x8



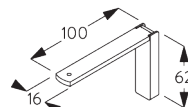
SG 11158
Countersunk head screw
M4x12



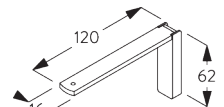
SG 11200
Smart Fix 60 mm



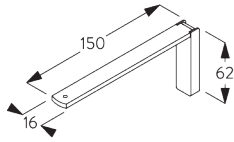
SG 11201
Smart Fix 80 mm



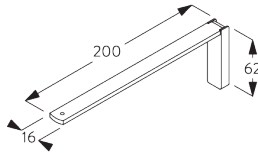
SG 11202
Smart Fix 100 mm



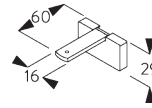
SG 11203
Smart Fix 120 mm



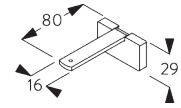
SG 11204
Smart Fix 150 mm



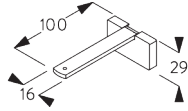
SG 11205
Smart Fix 200 mm



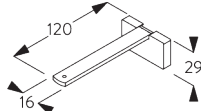
SG 11210
Square Smart Fix 60 mm



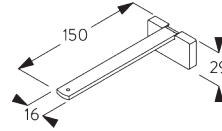
SG 11211
Square Smart Fix 80 mm



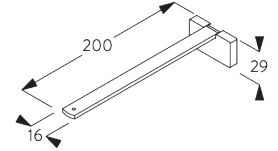
SG 11212
Square Smart Fix 100 mm



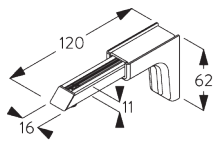
SG 11213
Square Smart Fix 120 mm



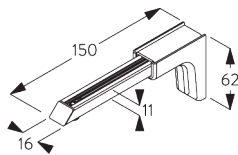
SG 11214
Square Smart Fix 150 mm



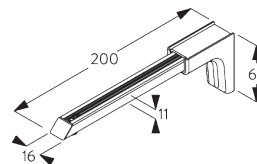
SG 11215
Square Smart Fix 200 mm



SG 11154
Universal Smart Fix 120 mm

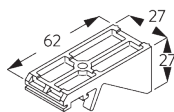
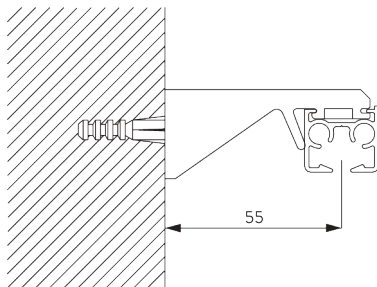


SG 11155
Universal Smart Fix 150 mm



SG 11156
Universal Smart Fix 200 mm

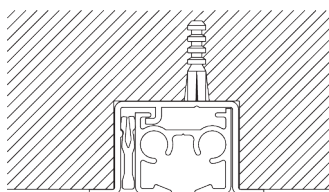
Bracket SG 3836



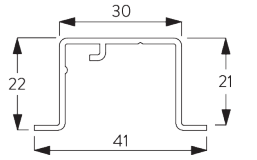
SG 3836
Bracket

D. RECESS FITTING

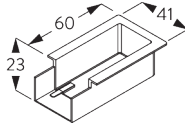
Recess profile SG 11230



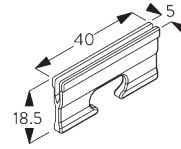
One wedge SG 10157 per fixing point.
For detailed recess fitting, visit the Silent Gliss website.



SG 11230
Recess profile



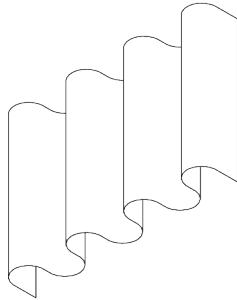
SG 11238
Recess Mask



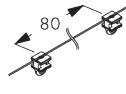
SG 10157
Wedge

SYSTEM OPTIONS

A. WAVE



SG 11295



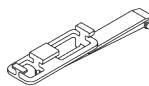
SG 11302



SG 2255



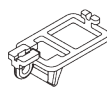
SG 2256



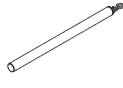
SG 6364



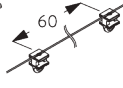
SG 6365



SG 6366



SG 10430-34



SG 11303

Standard components:

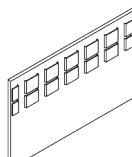
- SG 11295 End stop
- SG 11302 Wave 2C glider cord 80 mm

Optional components:

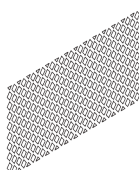
- SG 2255 Brake
- SG 2256 Brake
- SG 6364 Wave extension
- SG 6365 Wave hanger
- SG 6366 Wave carrier for draw rod
- SG 10430-34 Draw rod
- SG 11303 Wave 2C glider cord 60 mm



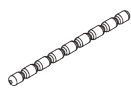
SG 3582



SG 6349



SG 6363



SG 10075

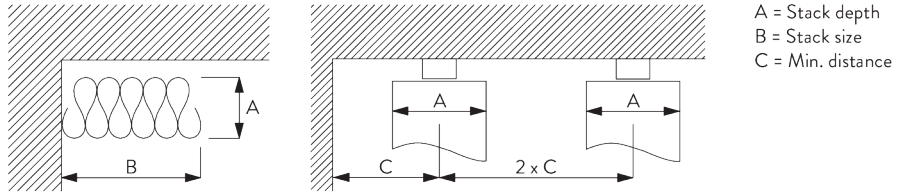


SG 10076

Curtain components:

- SG 3582 Hook
- SG 6349 Wave curtain tape
- SG 6363 Wave top hemming tape
- SG 10075 Lead weight 50 gr/m
- SG 10076 Fabric weight

Wave stack depth - 2C glider cord (standard components)






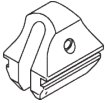



2C Glider cord SG 11302	Pockets between hooks	Approx. curtain fullness	Stack depth A	Stack size B*	Min distance C
80	6	~2.1	140	180 per metre of track	90
80	7	~2.3	160	180 per metre of track	100

2C Glider cord SG 11303	Pockets between hooks	Approx. curtain fullness	Stack depth A	Stack size B*	Min distance C
60	4	~2.1	100	230 per metre of track	70
60	5	~2.3	120	230 per metre of track	80

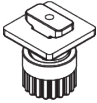
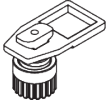




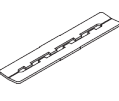
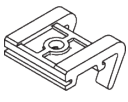
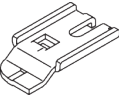
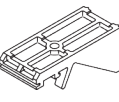




*Stack size B when using optional extension arm SG 6364 increases by 150 mm per curtain stack!

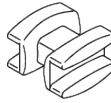





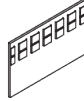
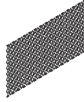
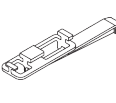
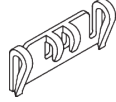
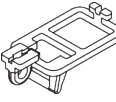
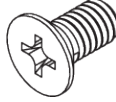

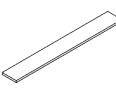
PARTS

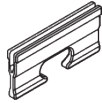
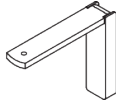

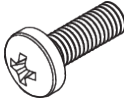
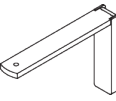
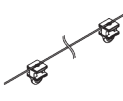

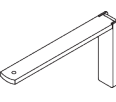
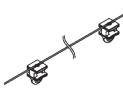
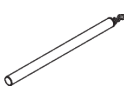
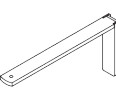
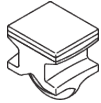
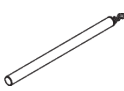
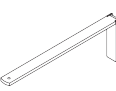
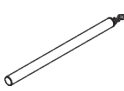
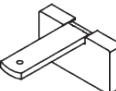
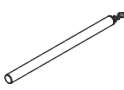
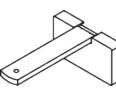
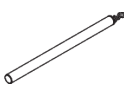
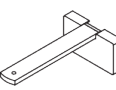
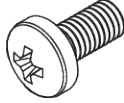
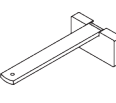
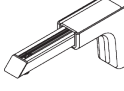
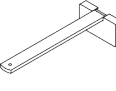
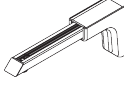
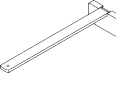
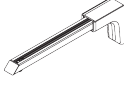
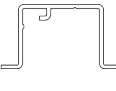
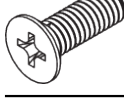
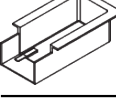
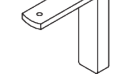

A. STANDARD PARTS

	SG 3599 Hook
	SG 3825 Clamp
	SG 6065 End stop
	SG 6086 Spring stop
	SG 11190 Profile
	SG 11233 End cover
	SG 11300 2C glider

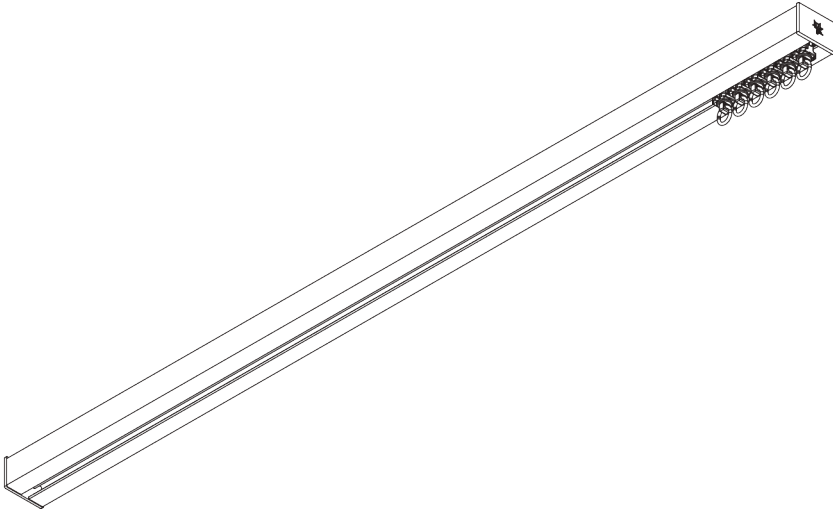
B. OPTIONAL PARTS

	SG 2255 Brake
	SG 2256 Brake
	SG 3012 Hook
	SG 3581 Hook
	SG 3582 Hook
	SG 3598 Eyelet
	SG 3802 Connection bridge
	SG 3826 Bracket
	SG 3832 Bracket
	SG 3836 Bracket
	SG 6004 Eyelet
	SG 6005 Hook
	SG 6053 Spring stop
	SG 6057 Glider

	SG 6082 Glider
	SG 6094 Roller
	SG 6098 Roller
	SG 6146 Hook
	SG 6240 Roller
	SG 6283 Roller
	SG 6349 Wave curtain tape
	SG 6363 Wave top hemming tape
	SG 6364 Wave extension
	SG 6365 Wave hanger
	SG 6366 Wave carrier for draw rod
	SG 10074 Countersunk head screw M4x8
	SG 10075 Lead weight 50 g/m
	SG 10076 Fabric weight

	SG 10157 Wedge		SG 11201 Smart Fix 80 mm		SG 11301 2C glider on strip
	SG 10277 Pan head screw M4x12		SG 11202 Smart Fix 100 mm		SG 11302 Wave 2C glider cord 80 mm
	SG 10407 Pan head screw M4x10		SG 11203 Smart Fix 120 mm		SG 11303 Wave 2C glider cord 60 mm
	SG 10430 Draw rod 50 cm		SG 11204 Smart Fix 150 mm		SG 11305 2C glider for direct sewing
	SG 10431 Draw rod 75 cm		SG 11205 Smart Fix 200 mm		
	SG 10432 Draw rod 100 cm		SG 11210 Square Smart Fix 60 mm		
	SG 10433 Draw rod 125 cm		SG 11211 Square Smart Fix 80 mm		
	SG 10434 Draw rod 150 cm		SG 11212 Square Smart Fix 100 mm		
	SG 10492 Pan head screw M4x8		SG 11213 Square Smart Fix 120 mm		
	SG 11154 Universal Smart Fix 120 mm		SG 11214 Square Smart Fix 150 mm		
	SG 11155 Universal Smart Fix 150 mm		SG 11215 Square Smart Fix 200 mm		
	SG 11156 Universal Smart Fix 200 mm		SG 11230 Recess profile		
	SG 11158 Countersunk head screw M4x12		SG 11238 Recess Mask		
	SG 11200 Smart Fix 60 mm		SG 11295 End stop		

SG 6970



PRODUCT INFORMATION

- **Operation:** hand
- **Range:** M - L
- **Fitting:** ceiling, wall, recess
- **Colours:** white RAL 9016, black RAL 9005 or anodised aluminum, special colours possible (recess profile only in white RAL 9016, black RAL 9005 or special color)
- **Fabrics:** refer to Silent Gliss fabric collection

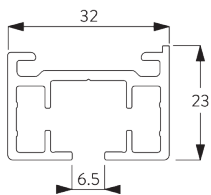
Features:

- 2-component (2C) roller technology
- Wave (2C)
- Bendable
- Bendable recess profile

SYSTEM SPECIFICATIONS

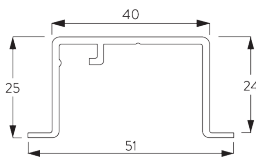
A. PROFILE

Profile and bending information



SG 10850

Profile

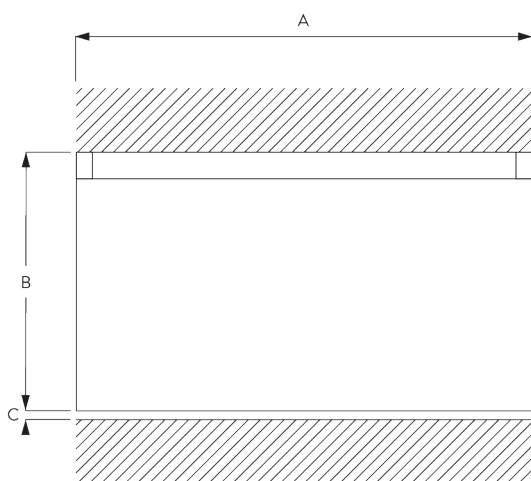


SG 10862

Recess profile



B. HOW TO MEASURE



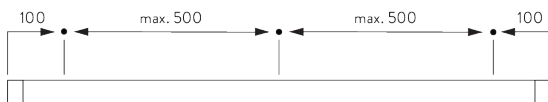
A: System width
B: System height
C: Distance between floor and fabric

FITTING

A. FITTING INFORMATION

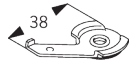
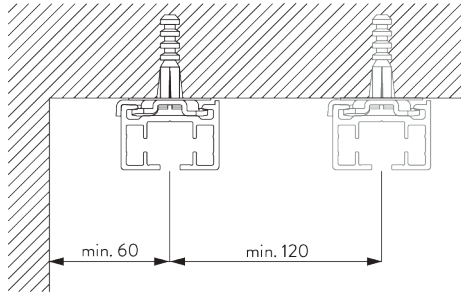
Fixing points

For detailed fitting information, visit the [Silent Gliss website](#).



B. CEILING FITTING

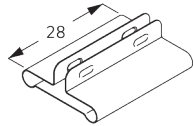
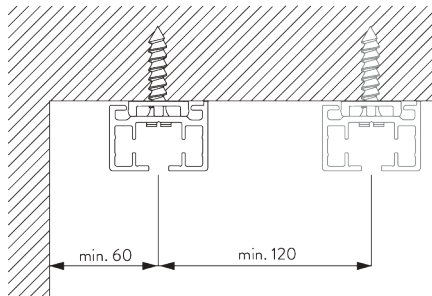
Clamp SG 3004



SG 3004

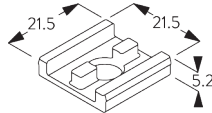
Clamp

Direct fitting



SG 7002

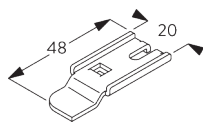
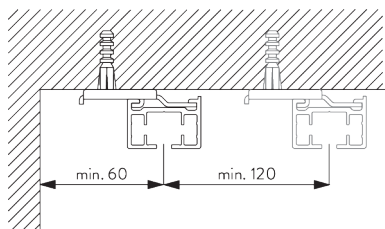
Profile protector



SG 10865

Support plate

Bracket SG 3041

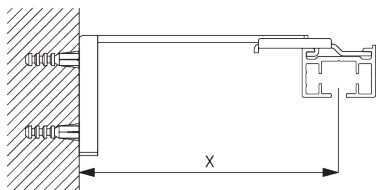


SG 3041

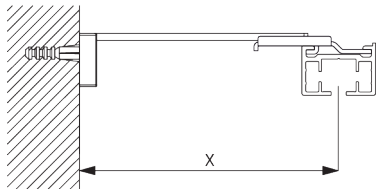
Bracket

C. WALL FITTING

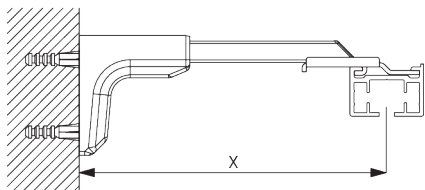
Smart Fix



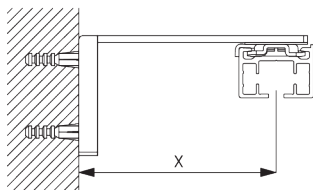
Smart Fix SG 11200 - SG 1205 and bracket SG 3041:
Screw SG 10492 (M4x8) needed.



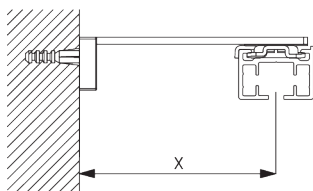
Square Smart Fix SG 11210 - SG 1215 and bracket SG 3041:
Screw SG 10492 (M4x8) needed.



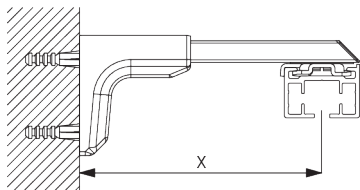
Universal Smart Fix SG 11154 - SG 1156 and bracket SG 3041:
Screw SG 10407 (M4x10) needed.



Smart Fix SG 11201 - SG 1205 and clamp SG 3004:
Screw SG 10074 (M4x8) needed.

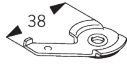


Square Smart Fix SG 11211 - SG 1215 and clamp SG 3004:
Screw SG 10074 (M4x8) needed.

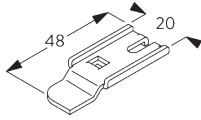


Universal Smart Fix SG 11154 - SG 1156 and clamp SG 3004:
Screw SG 11158 (M4x12) needed.

Smart Fix	X mm (SG 3041)	X mm (SG 3004)
SG 11200 / SG 11210	83	
SG 11201 / SG 11211	103	72
SG 11202 / SG 11212	123	92
SG 11203 / SG 11213	143	112
SG 11204 / SG 11214	173	142
SG 11205 / SG 11215	223	192
SG 11154	128-156	102-130
SG 11155	158-186	132-160
SG 11156	208-236	182-210



SG 3004
Clamp



SG 3041
Bracket



SG 10074
Countersunk head screw
M4x8



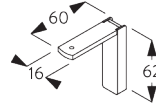
SG 10407
Pan head screw M4x10



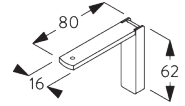
SG 10492
Pan head screw M4x8



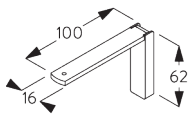
SG 11158
Countersunk head screw
M4x12



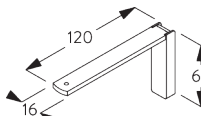
SG 11200
Smart Fix 60 mm



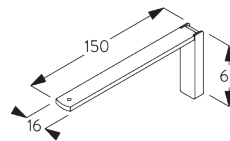
SG 11201
Smart Fix 80 mm



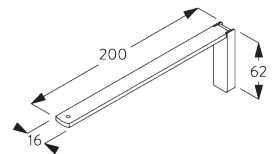
SG 11202
Smart Fix 100 mm



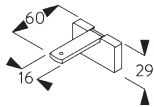
SG 11203
Smart Fix 120 mm



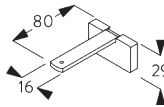
SG 11204
Smart Fix 150 mm



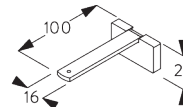
SG 11205
Smart Fix 200 mm



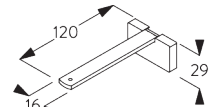
SG 11210
Square Smart Fix 60 mm



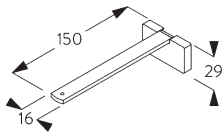
SG 11211
Square Smart Fix 80 mm



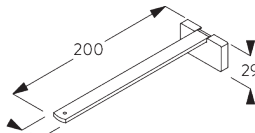
SG 11212
Square Smart Fix 100 mm



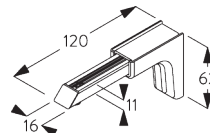
SG 11213
Square Smart Fix 120 mm



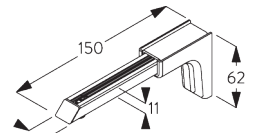
SG 11214
Square Smart Fix 150 mm



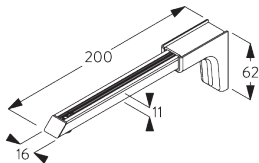
SG 11215
Square Smart Fix 200 mm



SG 11154
Universal Smart Fix 120 mm



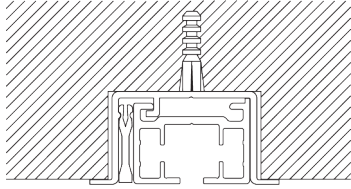
SG 11155
Universal Smart Fix 150 mm



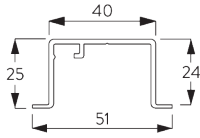
SG 11156
Universal Smart Fix 200 mm

D. RECESS FITTING

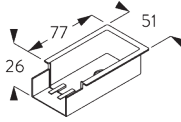
Recess profile SG 10862



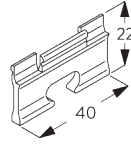
One wedge SG 5118 per fixing point.
For detailed recess fitting, visit the Silent Gliss website.



SG 10862
Recess profile



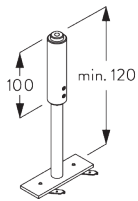
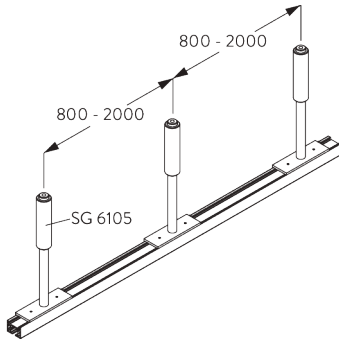
SG 10864
Recess mask



SG 5118
Wedge

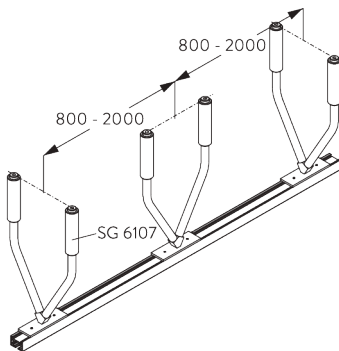
E. SUSPENDED FITTING

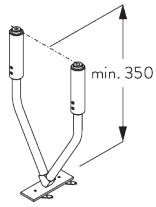
Hanger SG 6105



SG 6105
Hanger with plate

V-hanger SG 6107

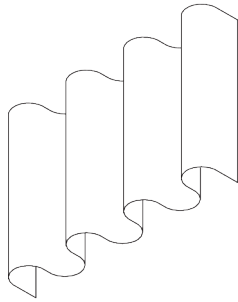




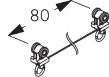
SG 6107
V-Hanger with plate

SYSTEM OPTIONS

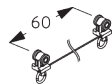
A. WAVE



SG 11295



SG 10852



SG 10869

Standard components:

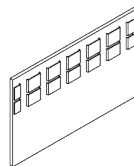
- SG 11295 End stop
- SG 10852 Wave 2C roller cord 80 mm

Optional components:

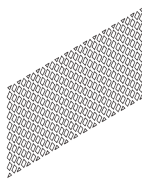
- SG 10869 Wave 2C roller cord 60 mm



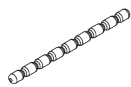
SG 3582



SG 6349



SG 6363



SG 10075

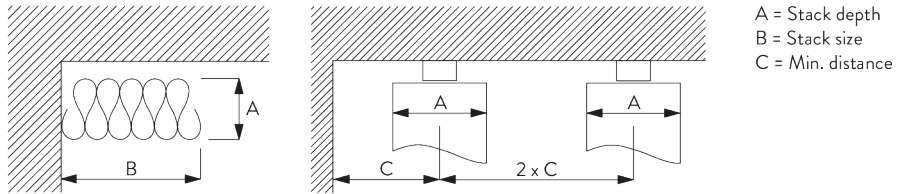


SG 10076

Curtain components:

- SG 3582 Hook
- SG 6349 Wave curtain tape
- SG 6363 Wave top hemming tape
- SG 10075 Lead weight 50 gr/m
- SG 10076 Fabric weight

Wave stack depth - 2C roller cord (standard components)




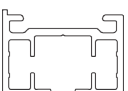
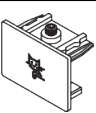
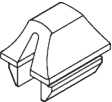


2C Roller cord SG 10852	Pockets between hooks	Approx. curtain fullness	Stack depth A	Stack size B	Min distance C
80	6	~2.1	140	210 per metre of track	90
80	7	~2.3	160	210 per metre of track	100


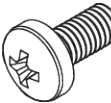
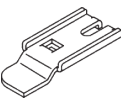


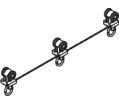
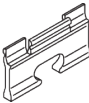
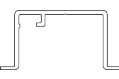

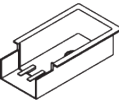
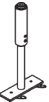
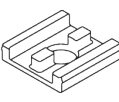
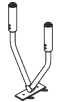
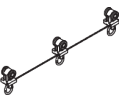

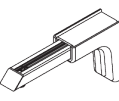
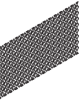
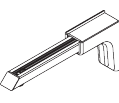
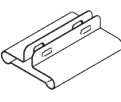
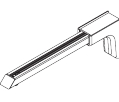
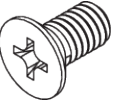
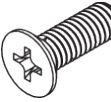

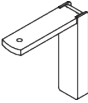
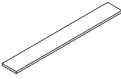
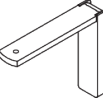
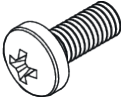
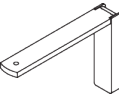
2C Roller cord SG 10869	Pockets between hooks	Approx. curtain fullness	Stack depth A	Stack size B	Min distance C
60	4	~2.1	100	260 per metre of track	70
60	5	~2.3	120	260 per metre of track	80

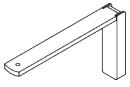
PARTS

A. STANDARD PARTS

	SG 3004 Clamp
	SG 3581 Hook
	SG 10840 2C roller
	SG 10850 Profile
	SG 11235 End cover
	SG 11465 Spring stop

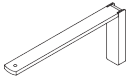
B. OPTIONAL PARTS

	SG 3012 Hook		SG 10492 Pan head screw M4x8
	SG 3041 Bracket		SG 10831 Connection bridge
	SG 3582 Hook		SG 10852 Wave 2C roller cord 80 mm
	SG 5118 Wedge		SG 10862 Recess profile
	SG 6005 Hook		SG 10864 Recess mask
	SG 6105 Hanger with plate		SG 10865 Support plate
	SG 6107 V-Hanger with plate		SG 10869 Wave 2C roller cord 60 mm
	SG 6349 Wave curtain tape		SG 11154 Universal Smart Fix 120 mm
	SG 6363 Wave top hemming tape		SG 11155 Universal Smart Fix 150 mm
	SG 7002 Profile protector		SG 11156 Universal Smart Fix 200 mm
	SG 10074 Countersunk head screw M4x8		SG 11158 Countersunk head screw M4x12
	SG 10075 Lead weight 50 g/m		SG 11200 Smart Fix 60 mm
	SG 10076 Fabric weight		SG 11201 Smart Fix 80 mm
	SG 10407 Pan head screw M4x10		SG 11202 Smart Fix 100 mm



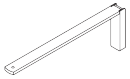
SG 11203

Smart Fix 120 mm



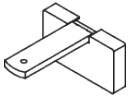
SG 11204

Smart Fix 150 mm



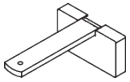
SG 11205

Smart Fix 200 mm



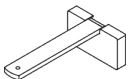
SG 11210

Square Smart Fix 60 mm



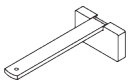
SG 11211

Square Smart Fix 80 mm



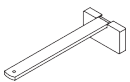
SG 11212

Square Smart Fix 100 mm



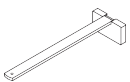
SG 11213

Square Smart Fix 120 mm



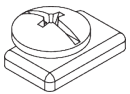
SG 11214

Square Smart Fix 150 mm



SG 11215

Square Smart Fix 200 mm



SG 11295

End stop

The Architects of Silence

Silent Gliss is the leading global supplier of premium interior window treatments. Since 1952 we have been tirelessly committed to the development of the world's smoothest, quietest systems using state of the art technology.

Driven by customer needs, Silent Gliss offers functional and durable products. Expert technical advice coupled with installation and support services complete the offer. Silent Gliss stands for innovative, sustainable, tailor made solutions, exceptional design and first-class quality.

Silent Gliss GmbH

Belgradplatz 5 / Office 3
1100 Vienna

Austria

T +43 (0) 1 615 02 73

F +43 (0) 1 615 02 73 88

info@silentgliss.at

silentgliss.at

silentgliss-cee.com

silentgliss-russia.com