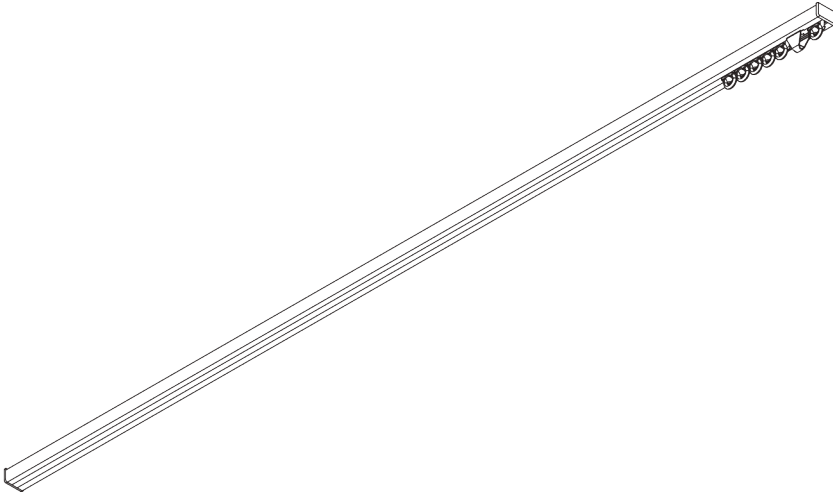


SG 1070



PRODUCT INFORMATION

- **Operation:** hand
- **Range:** S
- **Fitting:** ceiling
- **Colours:** white RAL 9016 or anodised aluminum, special colours possible
- **Fabrics:** refer to Silent Gliss fabric collection

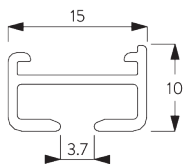
Features:

- Bendable

SYSTEM SPECIFICATIONS

A. PROFILE

Profile and bending information

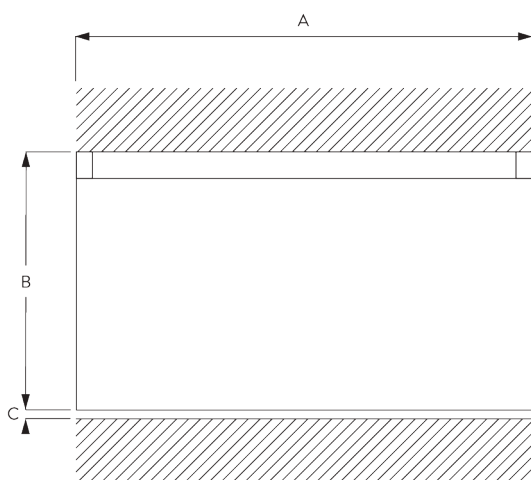


SG 1071

Profile

Radius:
8 cm, 12 cm, 16 cm,
>25 cm

B. HOW TO MEASURE



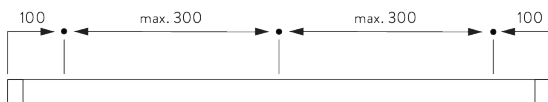
A: System width
B: System height
C: Distance between floor and fabric

FITTING

A. FITTING INFORMATION

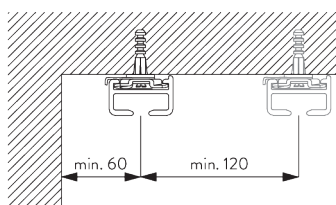
For detailed fitting information, visit the [Silent Gliss website](#).

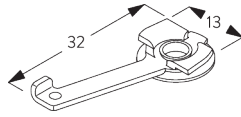
Fixing points



B. CEILING FITTING

Clamp SG 3060



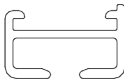
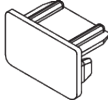
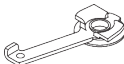






SG 3060



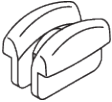



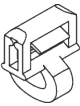
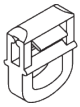


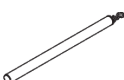
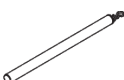
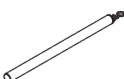
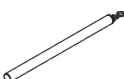
Clamp

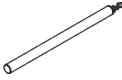
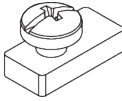
PARTS

A. STANDARD PARTS

| | |
|--|-------------------------------|
|  | SG 1071 Profile |
|  | SG 1072 End cover |
|  | SG 3060 Clamp |
|  | SG 3070 End stop |
|  | SG 3085 Spring stop |
|  | SG 3533 Glider |
|  | SG 3599 Hook |

B. OPTIONAL PARTS

| | |
|---|--|
|  | SG 3012 Hook |
|  | SG 3062 Connection bridge |
|  | SG 3511 Glider |
|  | SG 3534 Glider 3533 on strip |
|  | SG 3535 Glider |
|  | SG 3537 Glider |
|  | SG 3547 Glider |
|  | SG 3548 Glider |
|  | SG 3549 Click glider with hook |
|  | SG 3582 Hook |
|  | SG 10430 Draw rod 50 cm |
|  | SG 10431 Draw rod 75 cm |
|  | SG 10432 Draw rod 100 cm |
|  | SG 10433 Draw rod 125 cm |

| | |
|---|------------------------------------|
|  | SG 10434 Draw rod 150 cm |
|  | SG 11335 End stop |