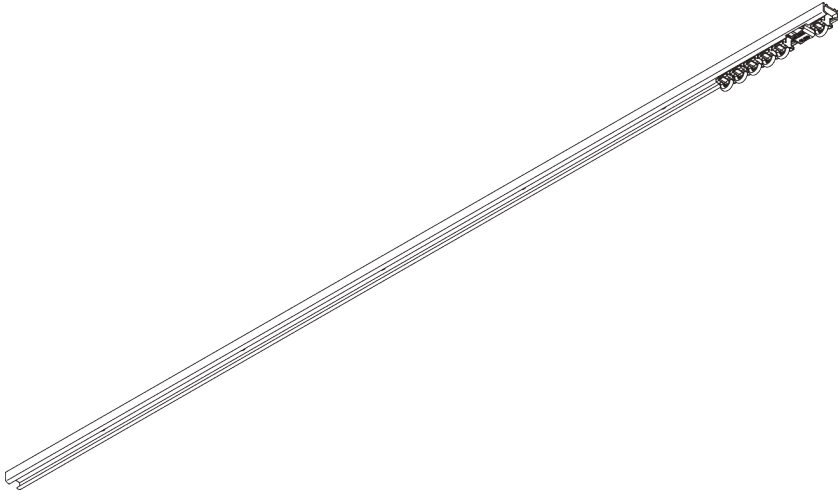


# SG 6026

---



## PRODUCT INFORMATION

- **Operation:** hand
- **Range:** S
- **Fitting:** ceiling (center SG 7550)
- **Colours:** white RAL 9016 or anodised aluminum, special colours possible
- **Fabrics:** refer to Silent Gliss fabric collection

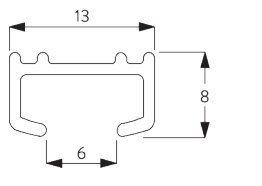
### **Features:**

- 2-component (2C) glider technology
- Pre-drilled profile
- Bendable

# SYSTEM SPECIFICATIONS

## A. PROFILE

Profile and bending information

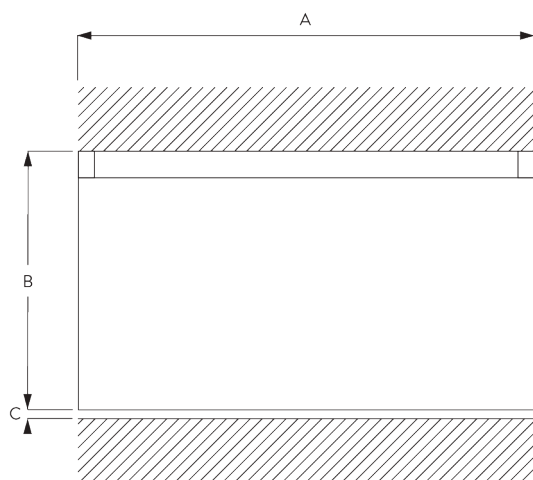


SG 6026p

Profile

Radius:  
10 cm, 20 cm

## B. HOW TO MEASURE

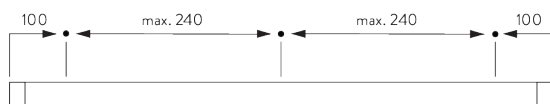


A: System width  
B: System height  
C: Distance between floor and fabric

# FITTING

## A. FITTING INFORMATION

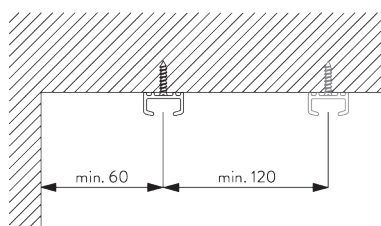
Fixing points



For detailed fitting information, visit the Silent Gliss website.

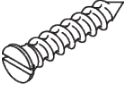


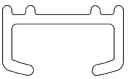


## B. CEILING FITTING

Direct into wood



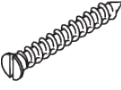
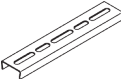



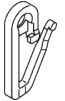

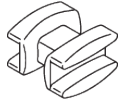
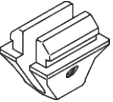
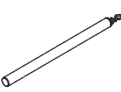
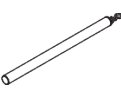
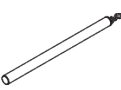


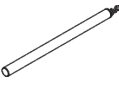
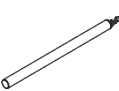
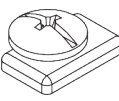

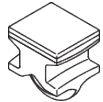
# PARTS

## A. STANDARD PARTS

	<b>SG 3019</b> Special screw 12 mm
	<b>SG 3599</b> Hook
	<b>SG 6015</b> Spring
	<b>SG 6026p</b> Profile
	<b>SG 6065</b> End stop
	<b>SG 11300</b> 2C glider

## B. OPTIONAL PARTS

	<b>SG 3012</b> Hook
	<b>SG 3020</b> Hook
	<b>SG 3025</b> Special screw 18 mm
	<b>SG 3067</b> Connection bridge
	<b>SG 3555</b> Hook
	<b>SG 3571</b> Hook
	<b>SG 3582</b> Hook
	<b>SG 3598</b> Eyelet
	<b>SG 6057</b> Glider
	<b>SG 6082</b> Glider
	<b>SG 6245</b> Spring stop
	<b>SG 10430</b> Draw rod 50 cm
	<b>SG 10431</b> Draw rod 75 cm
	<b>SG 10432</b> Draw rod 100 cm

	<b>SG 10433</b> Draw rod 125 cm
	<b>SG 10434</b> Draw rod 150 cm
	<b>SG 11295</b> End stop
	<b>SG 11301</b> 2C glider on strip
	<b>SG 11305</b> 2C glider for direct sewing

