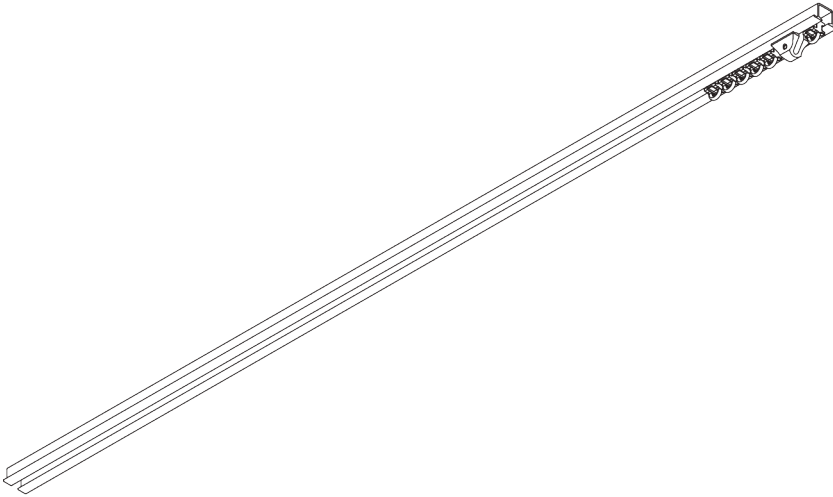


SG 6243



PRODUCT INFORMATION

- **Operation:** hand
- **Range:** S - M
- **Fitting:** recess
- **Colours:** white RAL 9016 or anodised aluminum, special colours possible
- **Fabrics:** refer to Silent Gliss fabric collection

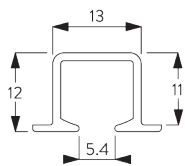
Features:

- 2-component (2C) glider technology
- Wave (2C)
- Bendable
- Pre-drilled profile

SYSTEM SPECIFICATIONS

A. PROFILE

Profile and bending information

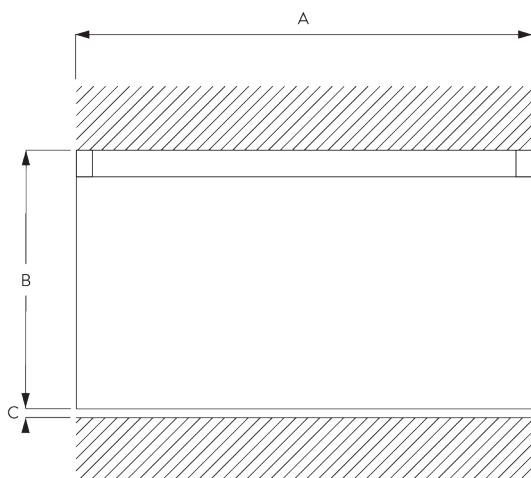


SG 6243p

Profile

Radius:
✓ 20 cm, >25 cm

B. HOW TO MEASURE



A: System width

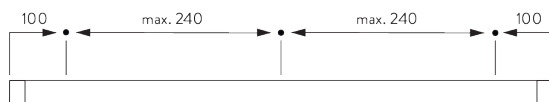
B: System height

C: Distance between floor and fabric

FITTING

A. FITTING INFORMATION

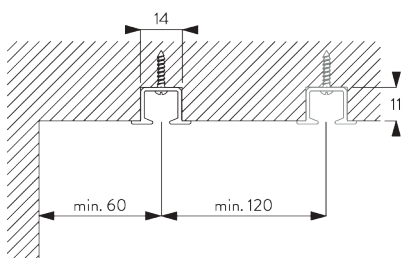
Fixing points



For detailed fitting information, visit the [Silent Gliss website](#).

B. RECESS FITTING

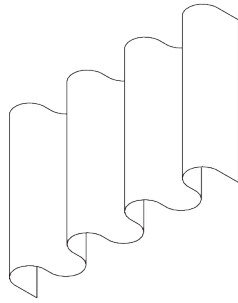
Direct into wood



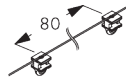
Recess channel: 11 x 14 mm

SYSTEM OPTIONS

A. WAVE



SG 11295



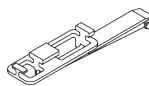
SG 11302



SG 2255



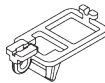
SG 2256



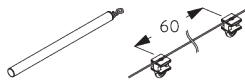
SG 6364



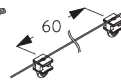
SG 6365



SG 6366



SG 10430-34



SG 11303

Standard components:

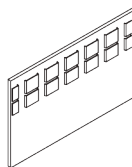
- SG 11295 End stop
- SG 11302 Wave 2C glider cord 80 mm

Optional components (min. radius >25 cm):

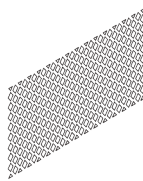
- SG 2255 Brake
- SG 2256 Brake
- SG 6364 Wave extension
- SG 6365 Wave hanger
- SG 6366 Wave carrier for draw rod
- SG 10430-34 Draw rod
- SG 11303 Wave 2C glider cord 60 mm



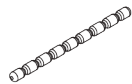
SG 3582



SG 6349



SG 6363



SG 10075

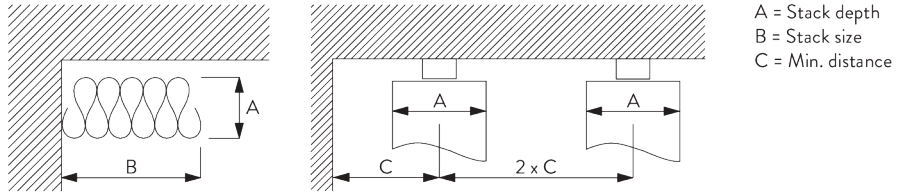


SG 10076

Curtain components:

- SG 3582 Hook
- SG 6349 Wave curtain tape
- SG 6363 Wave top hemming tape
- SG 10075 Lead weight 50 gr/m
- SG 10076 Fabric weight

Wave stack depth - 2C glider cord (standard components)









2C Glider cord SG 11302	Pockets between hooks	Approx. curtain fullness	Stack depth A	Stack size B*	Min distance C
80	6	~2.1	140	180 per metre of track	90
80	7	~2.3	160	180 per metre of track	100

2C Glider cord SG 11303	Pockets between hooks	Approx. curtain fullness	Stack depth A	Stack size B*	Min distance C
60	4	~2.1	100	230 per metre of track	70
60	5	~2.3	120	230 per metre of track	80

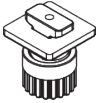
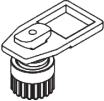


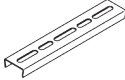
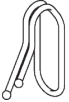

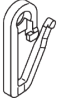






*Stack size B when using optional extension arm SG 6364 increases by 150 mm per curtain!



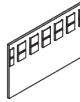

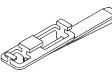
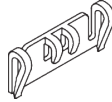
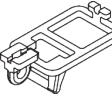
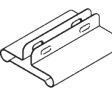

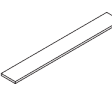
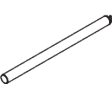
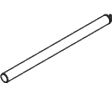
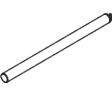
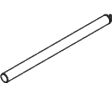
PARTS

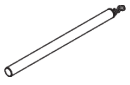
A. STANDARD PARTS

	SG 3599 Hook
	SG 6065 End stop
	SG 6086 Spring stop
	SG 6243p Profile
	SG 10717 Countersunk head screw 2.2x19
	SG 11300 2C glider

B. OPTIONAL PARTS

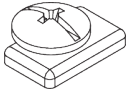
	SG 2255 Brake
	SG 2256 Brake
	SG 3012 Hook
	SG 3020 Hook
	SG 3067 Connection bridge
	SG 3581 Hook
	SG 3582 Hook
	SG 3598 Eyelet
	SG 6053 Spring stop
	SG 6057 Glider
	SG 6064 End stop
	SG 6082 Glider
	SG 6094 Roller
	SG 6098 Roller

	SG 6240 Roller
	SG 6283 Roller
	SG 6349 Wave curtain tape
	SG 6363 Wave top hemming tape
	SG 6364 Wave extension
	SG 6365 Wave hanger
	SG 6366 Wave carrier for draw rod
	SG 7002 Profile protector
	SG 10075 Lead weight 50 g/m
	SG 10076 Fabric weight
	SG 10430 Draw rod 50 cm
	SG 10431 Draw rod 75 cm
	SG 10432 Draw rod 100 cm
	SG 10433 Draw rod 125 cm



SG 10434

Draw rod 150 cm



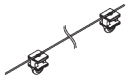
SG 11295

End stop



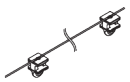
SG 11301

2C glider on strip



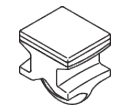
SG 11302

Wave 2C glider cord 80 mm



SG 11303

Wave 2C glider cord 60 mm



SG 11305

2C glider for direct sewing
