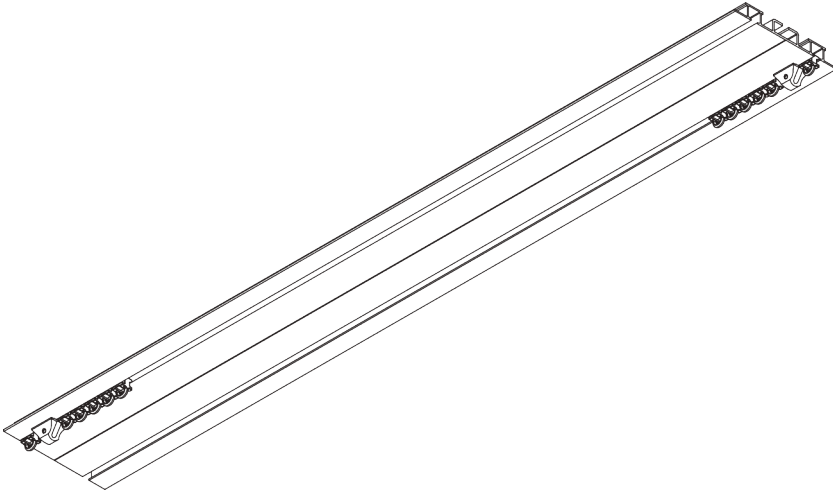


SG 6244



PRODUCT INFORMATION

- **Operation:** hand
- **Range:** M - L
- **Fitting:** recess
- **Colours:** white RAL 9016, special colours possible
- **Fabrics:** refer to Silent Gliss fabric collection

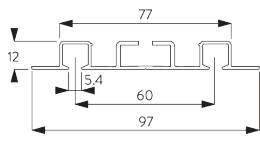
Features:

- 2-component (2C) glider technology

SYSTEM SPECIFICATIONS

A. PROFILE

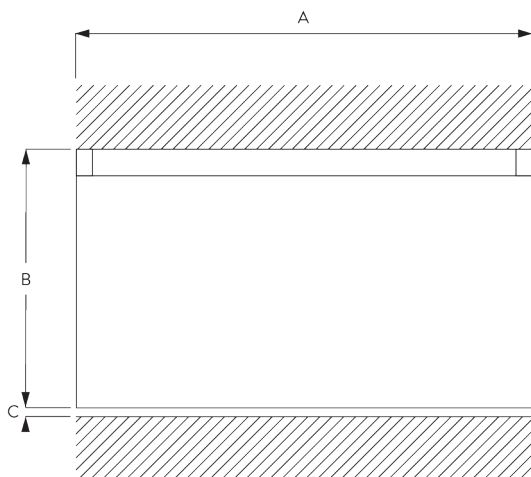
Profile information



SG 6244p

Profile

B. HOW TO MEASURE



A: System width

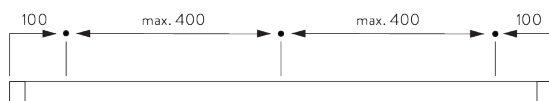
B: System height

C: Distance between floor and fabric

FITTING

A. FITTING INFORMATION

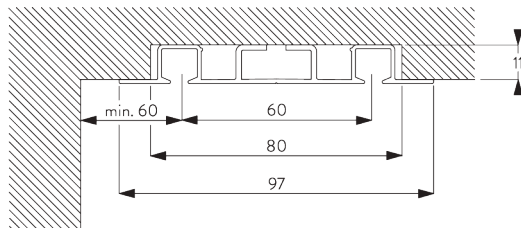
Fixing points



For detailed fitting information, visit the [Silent Gliss website](#).





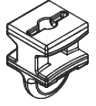
B. RECESS FITTING

Direct fitting



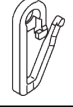




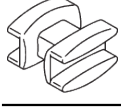
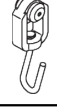
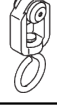

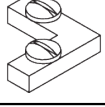
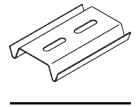



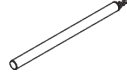
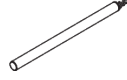
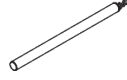
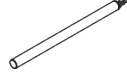
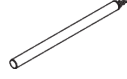
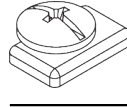
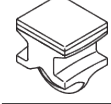
PARTS

A. STANDARD PARTS

	SG 3599 Hook
	SG 6065 End stop
	SG 6086 Spring stop
	SG 6244p Profile
	SG 11300 2C glider

B. OPTIONAL PARTS

	SG 3581 Hook
	SG 3582 Hook
	SG 3598 Eyelet
	SG 6004 Eyelet
	SG 6005 Hook
	SG 6053 Spring stop
	SG 6057 Glider
	SG 6082 Glider
	SG 6094 Roller
	SG 6098 Roller
	SG 6240 Roller
	SG 6246 Corner connection
	SG 6248 Connection bridge
	SG 6283 Roller

	SG 10430 Draw rod 50 cm
	SG 10431 Draw rod 75 cm
	SG 10432 Draw rod 100 cm
	SG 10433 Draw rod 125 cm
	SG 10434 Draw rod 150 cm
	SG 11295 End stop
	SG 11305 2C glider for direct sewing

