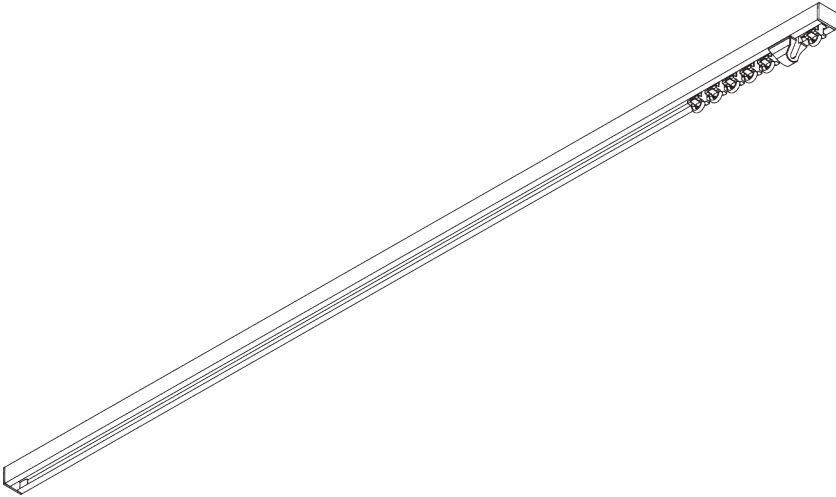


# SG 6465

---



## PRODUCT INFORMATION

- **Operation:** hand
- **Range:** S - M
- **Fitting:** ceiling, recess
- **Colours:** white RAL 9016, black RAL 9005 or anodised aluminum, special colours possible (recess profile only in white RAL 9016, black RAL 9005 or special color)
- **Fabrics:** refer to Silent Gliss fabric collection

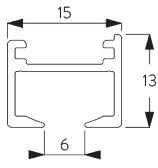
### **Features:**

- 2-component (2C) glider technology
- Wave (2C)
- Bendable
- Bendable recess profile

# SYSTEM SPECIFICATIONS

## A. PROFILE

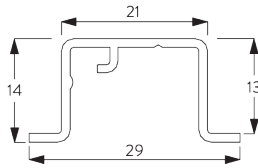
Profile and bending information



**SG 6466**

Profile

Radius:  
✓ 8 cm, 12 cm, 16 cm,  
>25 cm

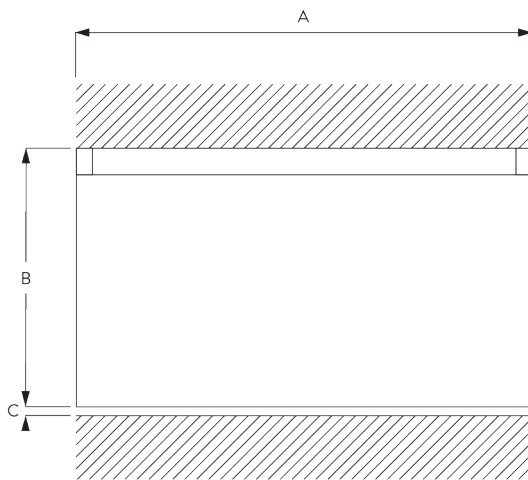


**SG 11231**

Recess profile

Radius:  
✓ >27 cm

## B. HOW TO MEASURE



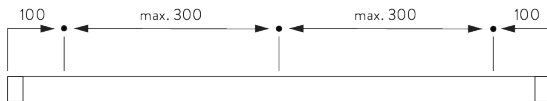
A: System width  
B: System height  
C: Distance between floor and fabric

# FITTING

## A. FITTING INFORMATION

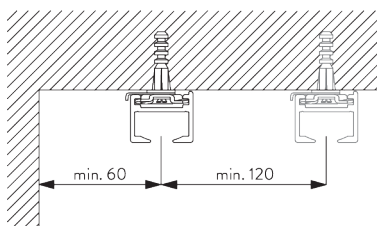
For detailed fitting information, visit the [Silent Gliss website](#).

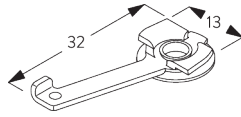
Fixing points



## B. CEILING FITTING

Clamp SG 3060



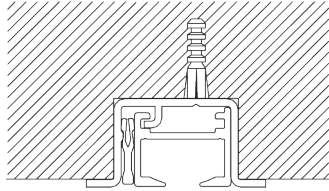


**SG 3060**

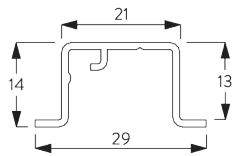
Clamp

### C. RECESS FITTING

Recess profile  
SG 11231

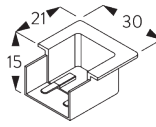


One wedge SG 11237 per fixing point.  
For detailed recess fitting, visit the Silent Gliss website.



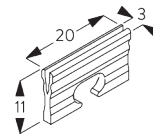
**SG 11231**

Recess profile



**SG 11239**

Recess Mask

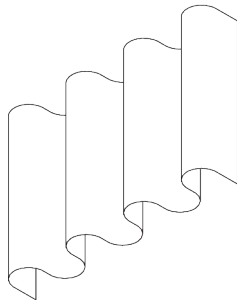


**SG 11237**

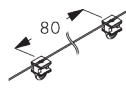
Wedge

## SYSTEM OPTIONS

### A. WAVE



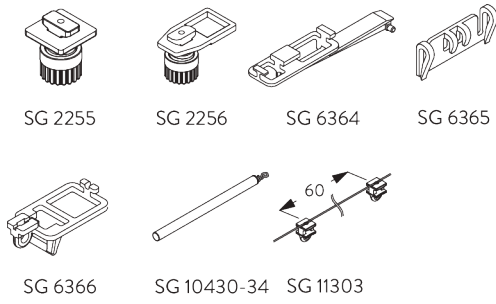
**SG 11295**



**SG 11302**

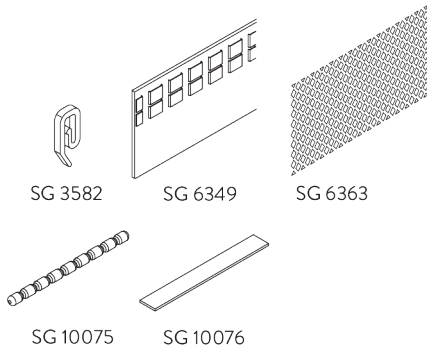
Standard components:

- SG 11295 End stop
- SG 11302 Wave 2C glider cord 80 mm



Optional components (min. radius >25 cm):

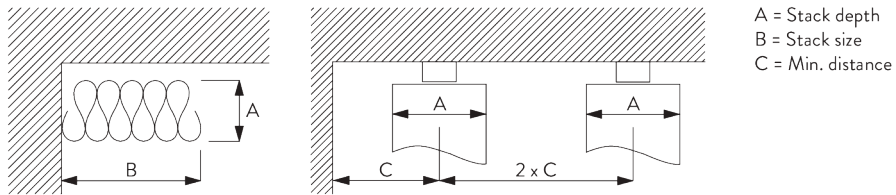
- SG 2255 Brake
- SG 2256 Brake
- SG 6364 Wave extension
- SG 6365 Wave hanger
- SG 6366 Wave carrier for draw rod
- SG 10430-34 Draw rod
- SG 11303 Wave 2C glider cord 60 mm



Curtain components:

- SG 3582 Hook
- SG 6349 Wave curtain tape
- SG 6363 Wave top hemming tape
- SG 10075 Lead weight 50 gr/m
- SG 10076 Fabric weight

Wave stack depth - 2C glider cord (standard components)



A = Stack depth  
B = Stack size  
C = Min. distance

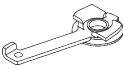


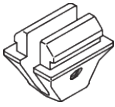
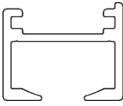
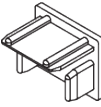

2C Glider cord SG 11302	Pockets between hooks	Approx. curtain fullness	Stack depth A	Stack size B*	Min distance C
80	6	~2.1	140	180 per metre of track	90
80	7	~2.3	160	180 per metre of track	100

2C Glider cord SG 11303	Pockets between hooks	Approx. curtain fullness	Stack depth A	Stack size B*	Min distance C
60	4	~2.1	100	230 per metre of track	70
60	5	~2.3	120	230 per metre of track	80

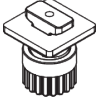
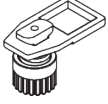


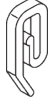
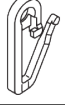


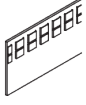

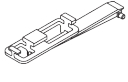
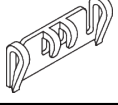
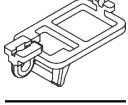

\*Stack size B when using optional extension SG 6364 arm increases by 150 mm per curtain stack!

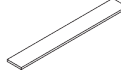
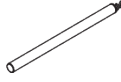
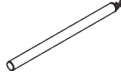




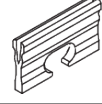
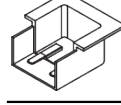
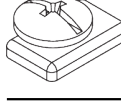
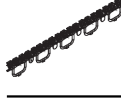
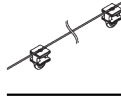
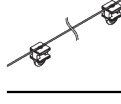

# PARTS

## A. STANDARD PARTS

	<b>SG 3060</b> Clamp
	<b>SG 3599</b> Hook
	<b>SG 6065</b> End stop
	<b>SG 6245</b> Spring stop
	<b>SG 6466</b> Profile
	<b>SG 6471</b> End cover
	<b>SG 11300</b> 2C glider

## B. OPTIONAL PARTS

	<b>SG 2255</b> Brake
	<b>SG 2256</b> Brake
	<b>SG 3012</b> Hook
	<b>SG 3062</b> Connection bridge
	<b>SG 3582</b> Hook
	<b>SG 3598</b> Eyelet
	<b>SG 6057</b> Glider
	<b>SG 6082</b> Glider
	<b>SG 6349</b> Wave curtain tape
	<b>SG 6363</b> Wave top hemming tape
	<b>SG 6364</b> Wave extension
	<b>SG 6365</b> Wave hanger
	<b>SG 6366</b> Wave carrier for draw rod
	<b>SG 10075</b> Lead weight 50 g/m

	<b>SG 10076</b> Fabric weight
	<b>SG 10430</b> Draw rod 50 cm
	<b>SG 10431</b> Draw rod 75 cm
	<b>SG 10432</b> Draw rod 100 cm
	<b>SG 10433</b> Draw rod 125 cm
	<b>SG 10434</b> Draw rod 150 cm
	<b>SG 11231</b> Recess profile
	<b>SG 11237</b> Wedge
	<b>SG 11239</b> Recess Mask
	<b>SG 11295</b> End stop
	<b>SG 11301</b> 2C glider on strip
	<b>SG 11302</b> Wave 2C glider cord 80 mm
	<b>SG 11303</b> Wave 2C glider cord 60 mm
	<b>SG 11305</b> 2C glider for direct sewing





