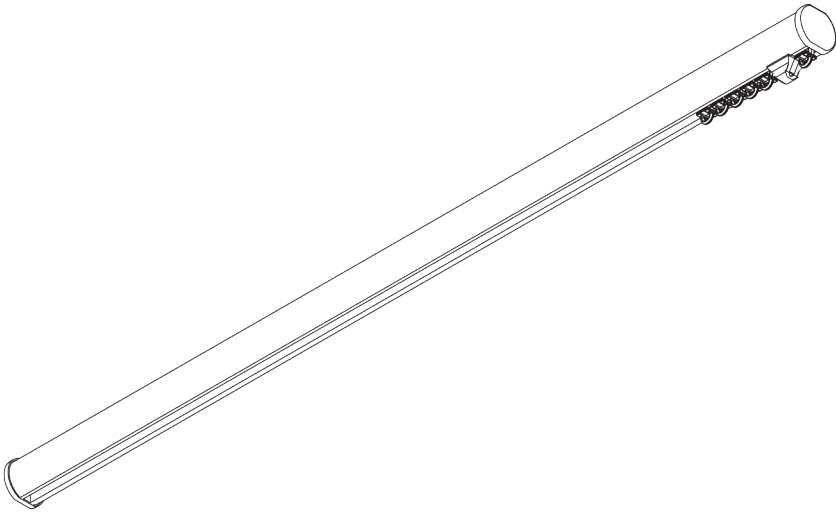


SG 6815



PRODUCT INFORMATION

- **Operation:** hand
- **Range:** S - M
- **Fitting:** ceiling, wall
- **Colours:** white RAL 9016 or anodised aluminum, special colours possible
- **Fabrics:** refer to Silent Gliss fabric collection

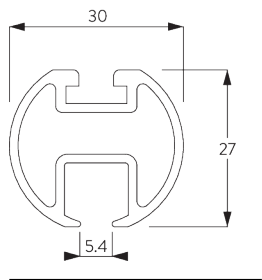
Features:

- 2-component (2C) glider technology
- Wave (2C)
- Bendable

SYSTEM SPECIFICATIONS

A. PROFILE

Profile and bending information



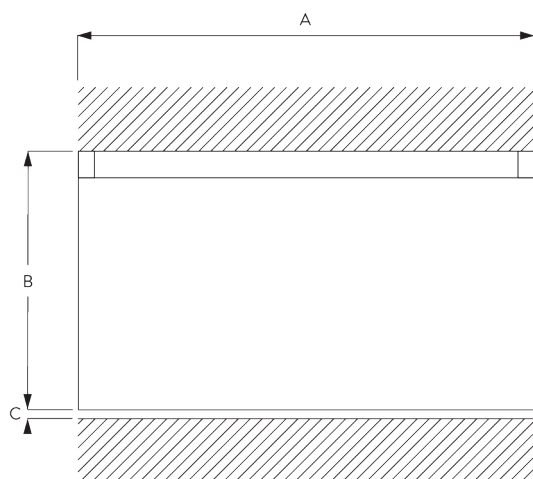
SG 6103p

Profile

Radius: >25 cm



B. HOW TO MEASURE



A: System width

B: System height

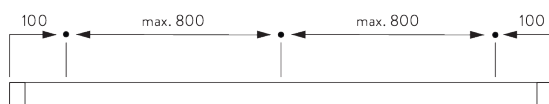
C: Distance between floor and fabric

FITTING

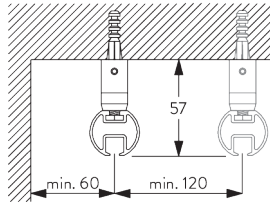
A. FITTING INFORMATION

Fixing points

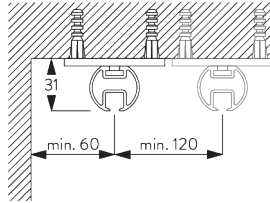
For detailed fitting information, visit the [Silent Gliss website](#).



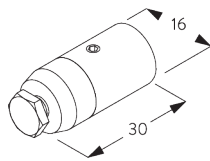
B. CEILING FITTING



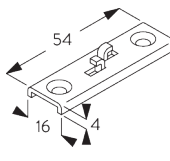
Mini hanger SG 6175



Bracket SG 6124



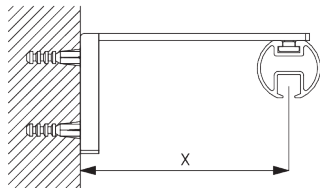
SG 6175
Mini hanger



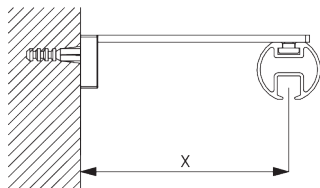
SG 6124
Bracket

C. WALL FITTING

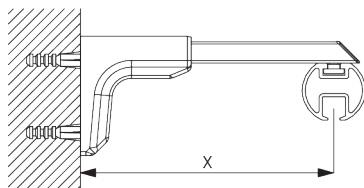
Smart Fix



Smart Fix with slot SG 11206 - SG 11208:
Screw SG 10492 (M4x8) needed.

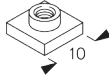


Square Smart Fix with slot SG 11216 - SG 11218:
Screw SG 10492 (M4x8) needed.



Universal Smart Fix SG 11154 - SG 11156:
Screw SG 11131 (M4x6) needed.

Smart Fix	X mm
SG 11206 / SG 11216	33-51
SG 11207 / SG 11217	53-71
SG 11208 / SG 11218	73-91
SG 11154	102-130
SG 11155	132-160
SG 11156	182-210



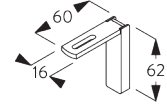
SG 6117
Slot nut



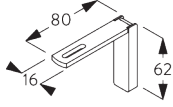
SG 10492
Pan head screw M4x8



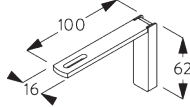
SG 11131
Pan head screw with flange
M4x6



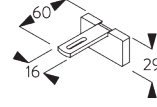
SG 11206
Smart Fix with slot 60 mm



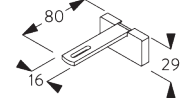
SG 11207
Smart Fix with slot 80 mm



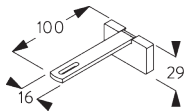
SG 11208
Smart Fix with slot 100 mm



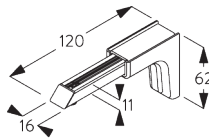
SG 11216
Square Smart Fix with slot 60
mm



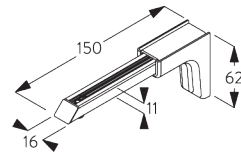
SG 11217
Square Smart Fix with slot 80
mm



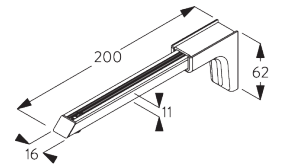
SG 11218
Square Smart Fix with slot
100 mm



SG 11154
Universal Smart Fix 120 mm



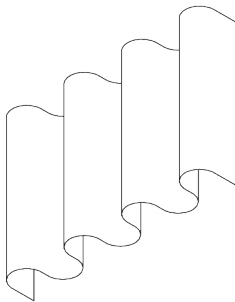
SG 11155
Universal Smart Fix 150 mm



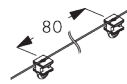
SG 11156
Universal Smart Fix 200 mm

SYSTEM OPTIONS

A. WAVE



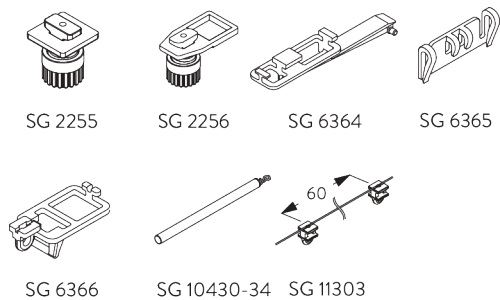
SG 11295



SG 11302

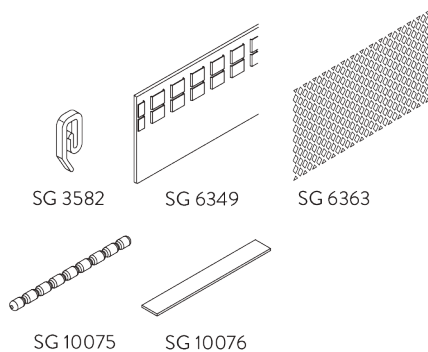
Standard components:

- SG 11295 End stop
- SG 11302 Wave 2C glider cord 80 mm



Optional components:

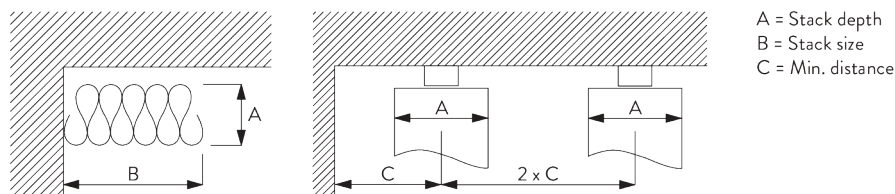
- SG 2255 Brake
- SG 2256 Brake
- SG 6364 Wave extension
- SG 6365 Wave hanger
- SG 6366 Wave carrier for draw rod
- SG 10430-34 Draw rod
- SG 11303 Wave 2C glider cord 60 mm



Curtain components:

- SG 3582 Hook
- SG 6349 Wave curtain tape
- SG 6363 Wave top hemming tape
- SG 10075 Lead weight 50 gr/m
- SG 10076 Fabric weight

Wave stack depth - 2C glider cord (standard components)



A = Stack depth
 B = Stack size
 C = Min. distance



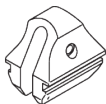

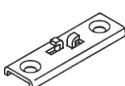
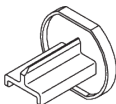

2C Glider cord SG 11302	Pockets between hooks	Approx. curtain fullness	Stack depth A	Stack size B*	Min distance C
80	6	~2.1	140	180 per metre of track	90
80	7	~2.3	160	180 per metre of track	100

2C Glider cord SG 11303	Pockets between hooks	Approx. curtain fullness	Stack depth A	Stack size B*	Min distance C
60	4	~2.1	100	230 per metre of track	70
60	5	~2.3	120	230 per metre of track	80

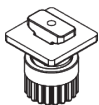
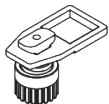



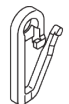



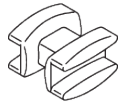


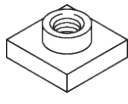
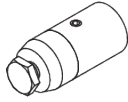
*Stack size B when using optional extension arm SG 6364 increases by 150 mm per curtain stack!





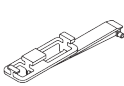
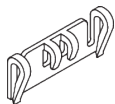
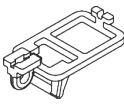
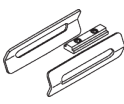

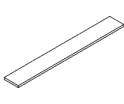
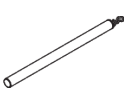
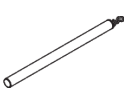

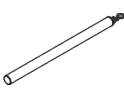
PARTS

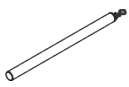
A. STANDARD PARTS

	SG 3599 Hook
	SG 6065 End stop
	SG 6086 Spring stop
	SG 6103p Profile
	SG 6124 Bracket
	SG 6630 End cover
	SG 11300 2C glider

B. OPTIONAL PARTS

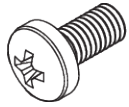
	SG 2255 Brake
	SG 2256 Brake
	SG 3012 Hook
	SG 3581 Hook
	SG 3582 Hook
	SG 3598 Eyelet
	SG 6004 Eyelet
	SG 6053 Spring stop
	SG 6057 Glider
	SG 6082 Glider
	SG 6094 Roller
	SG 6098 Roller
	SG 6117 Slot nut
	SG 6175 Mini hanger

	SG 6240 Roller
	SG 6283 Roller
	SG 6349 Wave curtain tape
	SG 6363 Wave top hemming tape
	SG 6364 Wave extension
	SG 6365 Wave hanger
	SG 6366 Wave carrier for draw rod
	SG 6635 Connection bridge set
	SG 10075 Lead weight 50 g/m
	SG 10076 Fabric weight
	SG 10430 Draw rod 50 cm
	SG 10431 Draw rod 75 cm
	SG 10432 Draw rod 100 cm
	SG 10433 Draw rod 125 cm



SG 10434

Draw rod 150 cm



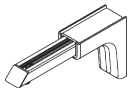
SG 10492

Pan head screw M4x8



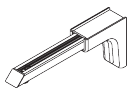
SG 11131

Pan head screw with flange M4x6



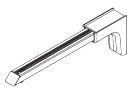
SG 11154

Universal Smart Fix 120 mm



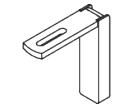
SG 11155

Universal Smart Fix 150 mm



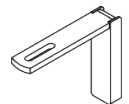
SG 11156

Universal Smart Fix 200 mm



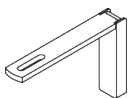
SG 11206

Smart Fix with slot 60 mm



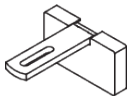
SG 11207

Smart Fix with slot 80 mm



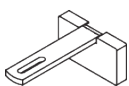
SG 11208

Smart Fix with slot 100 mm



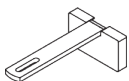
SG 11216

Square Smart Fix with slot 60 mm



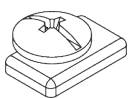
SG 11217

Square Smart Fix with slot 80 mm



SG 11218

Square Smart Fix with slot 100 mm



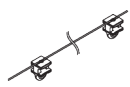
SG 11295

End stop



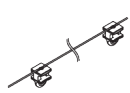
SG 11301

2C glider on strip



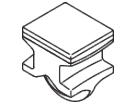
SG 11302

Wave 2C glider cord 80 mm



SG 11303

Wave 2C glider cord 60 mm



SG 11305

2C glider for direct sewing

