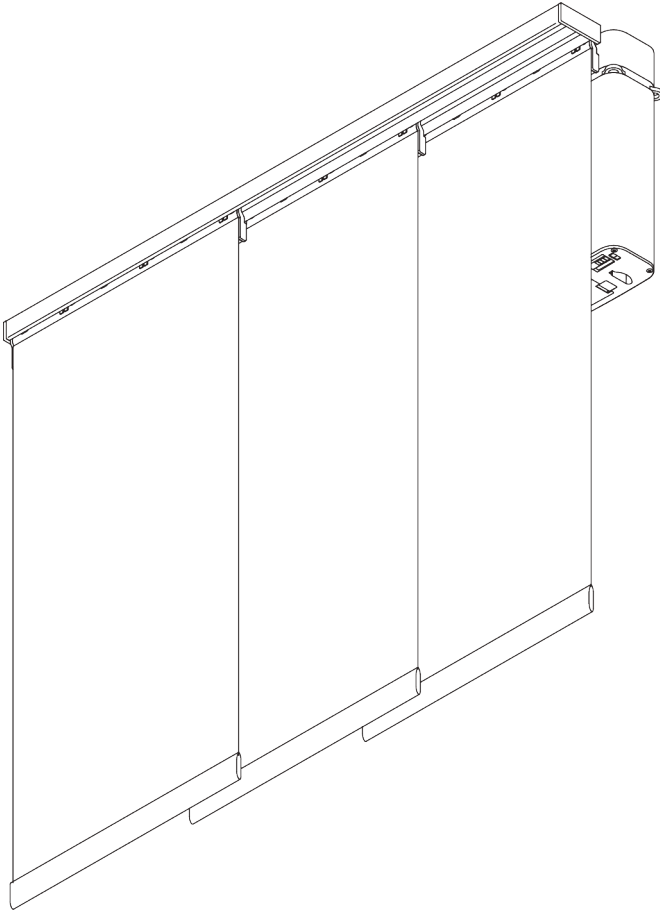
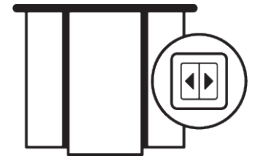


SG 2750



PRODUCT INFORMATION

- **Operation:** motorised
- **Range:** S - L
- **Fitting:** ceiling
- **Colours:** white RAL 9016 or anodised aluminum, special colours possible
- **Fabrics:** refer to Silent Gliss fabric collection

Features:

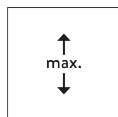
- 2-component (2C) roller technology
- Silent and smooth running
- Aluminium carriers
- Applicable with electric curtain track system SG 5100 or SG 5600

SYSTEM SPECIFICATIONS

A. SYSTEM DIMENSIONS



6 m



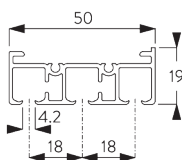
4 m



max. 2 kg per m

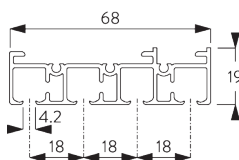
B. PROFILE

Profile information



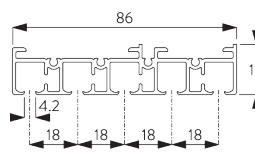
SG 10123

Profile 3-channel



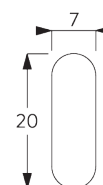
SG 10124

Profile 4-channel



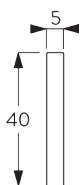
SG 10125

Profile 5-channel



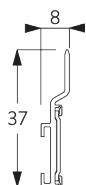
SG 2004

Bottom bar 20x7 mm



SG 2005

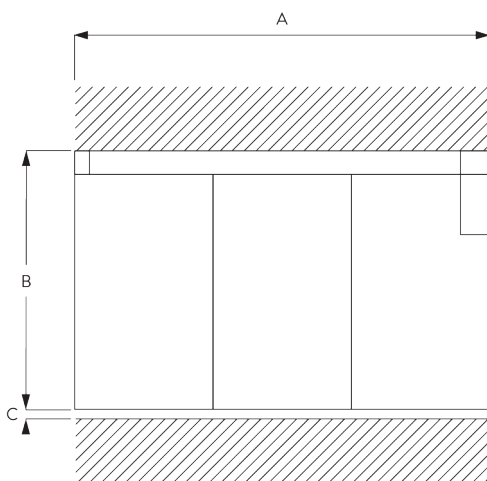
Bottom bar 40x5 mm



SG 10230

Carrier alu

C. HOW TO MEASURE

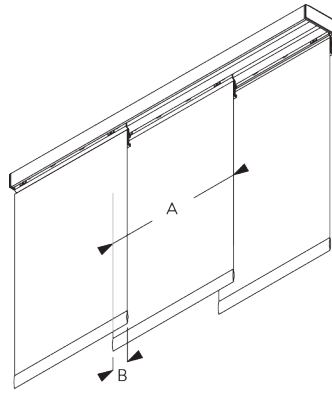


A: System width

B: System height

C: Distance between floor and fabric

Dimensions of Panels



A: Recommended panel width: 500 - 1200

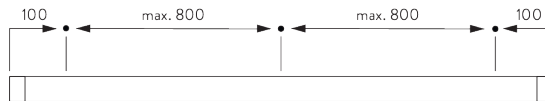
B: Overlap: min. 50

FITTING

A. FITTING INFORMATION

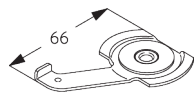
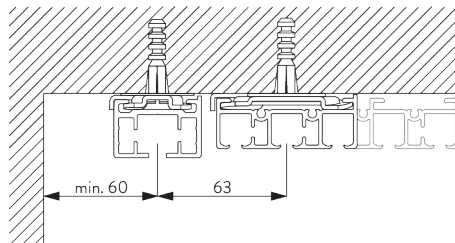
For detailed fitting information, visit the *Silent Gliss* website.

Fixing points



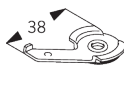
B. CEILING FITTING

With SG 5600



SG 3003

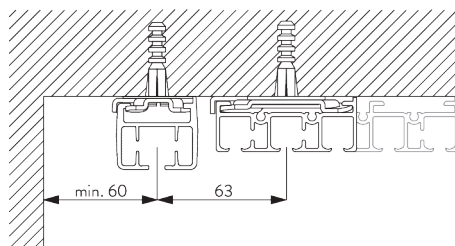
Clamp

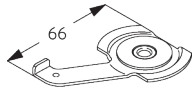


SG 3004

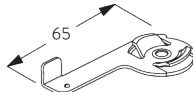
Clamp

With SG 5100





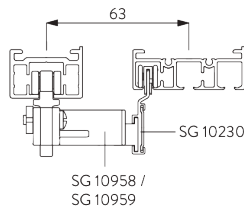
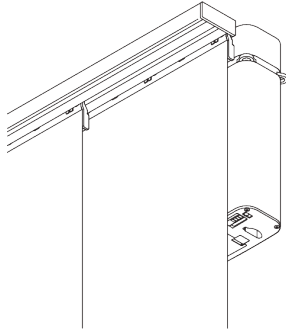
SG 3003
Clamp



SG 10926
Clamp

SYSTEM OPTIONS

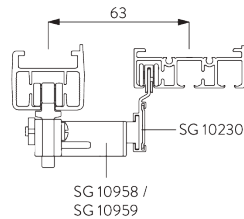
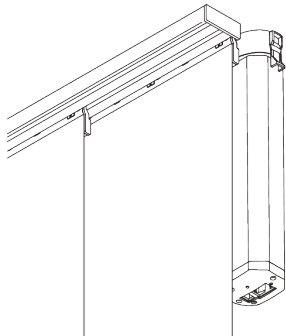
A. MOTORISATION



Motorised with **SG 5600**

- Single stack systems: carrier SG 10958
- Pair stack systems: carriers SG 10958 / SG 10959

For further details refer to the electric curtain track catalogue.



Motorised with **SG 5100**

- Single stack systems: carrier SG 10958
- Pair stack systems: carriers SG 10958 / SG 10959

For further details refer to the electric curtain track catalogue.

B. PANEL STACKING



Single stack

Note: dot = fixed panel




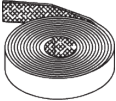


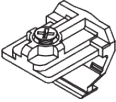
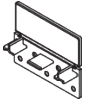
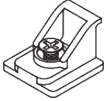
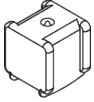

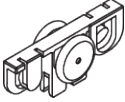



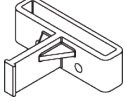
Pair stack

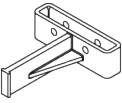
Note: dot = fixed panel

Other variations are possible.


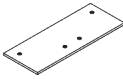


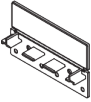
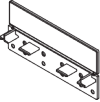
PARTS

A. STANDARD PARTS

	SG 2005 Bottom bar 40x5 mm
	SG 2539 Tape
	SG 3003 Clamp
	SG 10123 Profile 3-channel
	SG 10140 Angle
	SG 10143 Cover
	SG 10146 Angle
	SG 10156 End stop
	SG 10159 Countersunk head screw 3.5x13
	SG 10200 2C roller
	SG 10230 Carrier alu
	SG 10252 End cover left
	SG 10253 End cover right
	SG 10958 Panel carrier for electric track

	SG 10959 Panel carrier for electric track
---	---

B. OPTIONAL PARTS

	SG 2004 Bottom bar 20x7 mm
	SG 6024 Connection bridge
	SG 10124 Profile 4-channel
	SG 10125 Profile 5-channel
	SG 10144 End cover
	SG 10145 End cover

