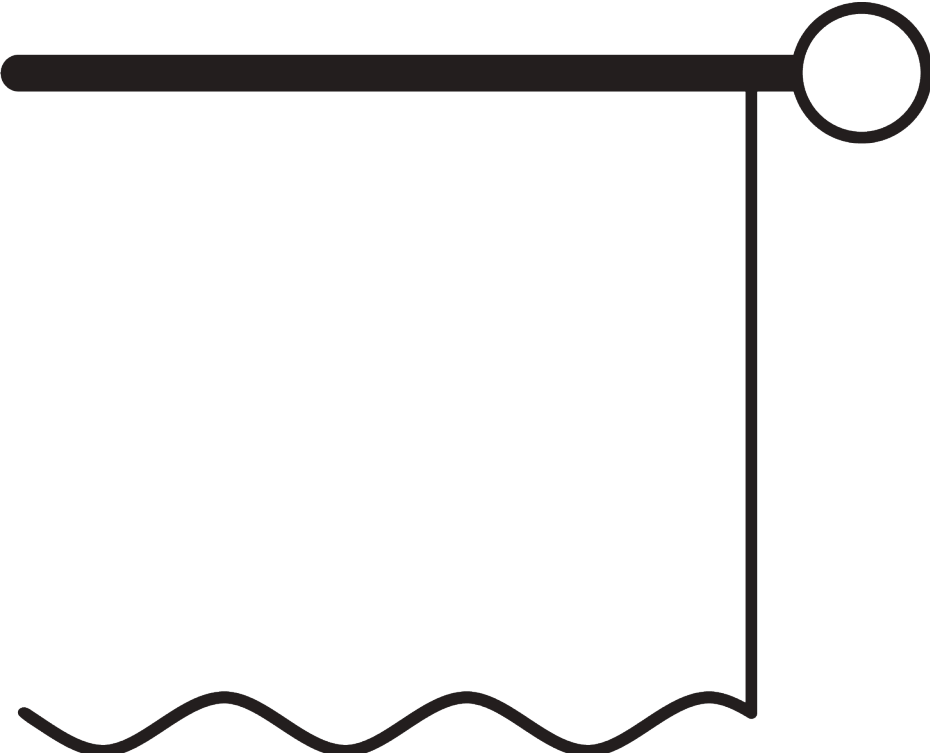


METROPOLE



GENERAL NOTES

Dimensions

- Measurements are in mm except where indicated.
- Max. kg relates to fabric incl. accessories.
- Stack size depends on curtain make-up and fabric thickness.
- Distance between gliders max. 80 mm / distance between rollers max. 100 mm.
- Recommended distance floor / fabric: 20 mm.
- In order to determine system height (B), the smallest room height must be taken into account.









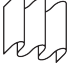



Fitting

- Installation by qualified fitter only.
- Number of brackets and fitting positions / fixing points vary depending on fitting surface, system weight, fabric make-up, screw / fixing type and obstacles.
- Qualified fitter must use appropriate screws / fixings for each situation.
- Profile lip if applicable to be installed to room side.

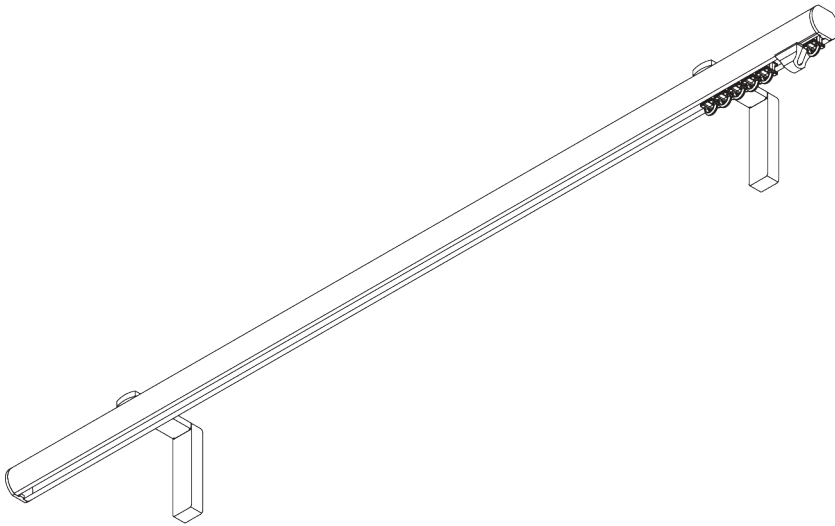
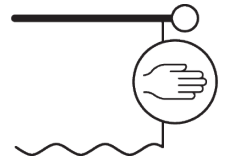
Child Safety

- All relevant Silent Gliss systems correspond to child safety EN 13120.
- All parties involved must comply with EN 13120.

APPLICATION CHART

<u>PAGE</u>	<u>SYSTEM</u>	<u>OPERATION</u>	<u>DIMENSION</u>	<u>DESIGN</u>	<u>WAVE</u>
5	SG 7600		S		
15	SG 7605		S - M		
25	SG 7610		S - M		
35	SG 7620		M - L		

SG 7600



PRODUCT INFORMATION

- **Operation:** hand
- **Range:** S
- **Fitting:** ceiling, wall
- **Colours:** white RAL 9016, various colours / finishes
- **Fabrics:** refer to Silent Gliss fabric collection

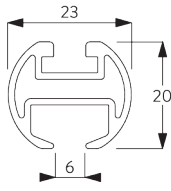
Features:

- 2-component (2C) glider technology
- Wave (2C)
- Matching endcaps and brackets / bracket covers
- Range of decorative finials
- Bendable

SYSTEM SPECIFICATIONS

A. PROFILE

Profile and bending information

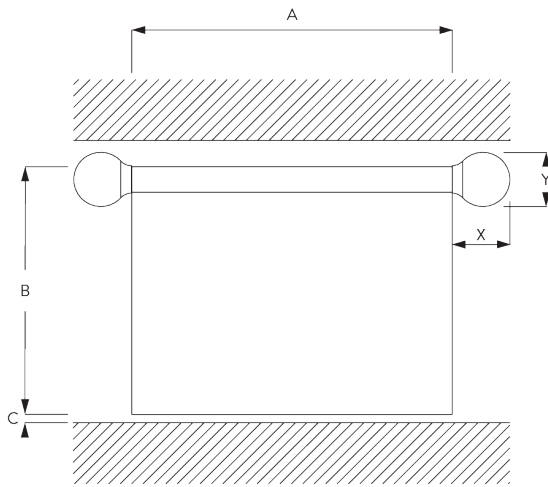


SG 11606

Profile

Radius:
✓ 15 cm, 20 cm, >25 cm

B. HOW TO MEASURE



A: System width without finials


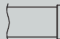




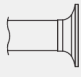
B: System height

C: Distance between floor and fabric

X: Finial width

Y: Finial height

Finial Measurements

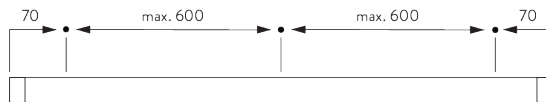
		23 mm	
		X	Y
	SG 11602	2	23
	SG 11621	8	27
	SG 11622	14	38
	SG 11726	49	46
	SG 11727	89	37
	SG 11728	20	69
	SG 11729	18	46

FITTING

A. FITTING INFORMATION

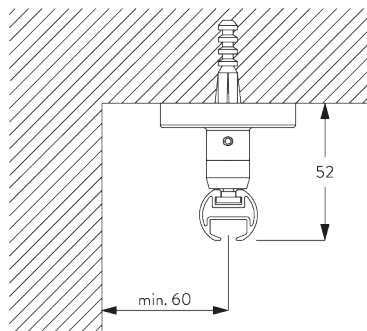
For detailed fitting information, visit the *Silent Gliss* website.

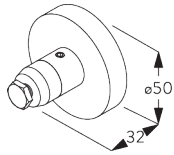
Fixing points



B. CEILING FITTING

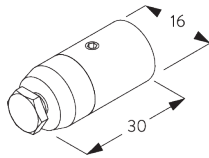
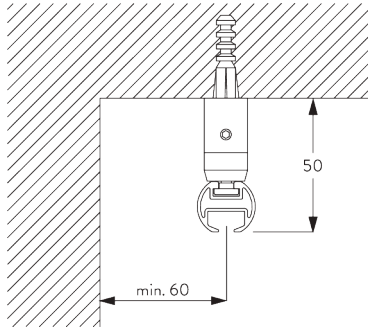
Top fix bracket SG 11668





SG 11668
Top fix bracket

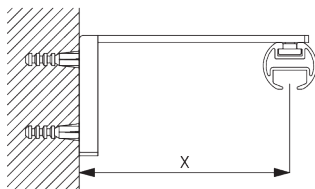
Mini hanger SG 6175



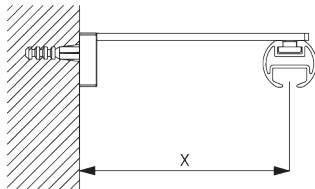
SG 6175
Mini hanger

C. WALL FITTING

Smart Fix

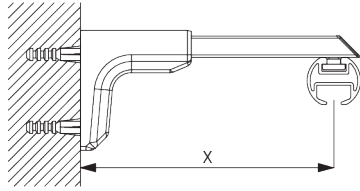


Smart Fix with slot SG 11206 - SG 11208 and SG 6141:
Screw SG 10492 (M4x8) needed.

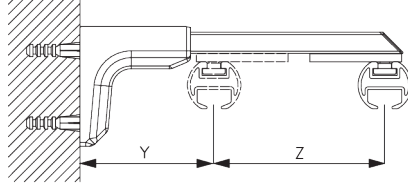


Square Smart Fix with slot SG 11216 - SG 11218 and SG 6141:
Screw SG 10492 (M4x8) needed.

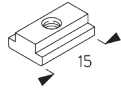
Smart Fix	X mm	Y mm	Z mm
SG 11206 / SG 11216	51		
SG 11207 / SG 11217	71		
SG 11208 / SG 11218	91		
SG 11154	102-130		
SG 11155	132-160	68	65-72
SG 11156	182-210	68	65-123



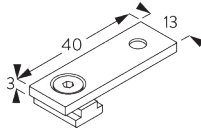
Universal Smart Fix SG 11154 - SG 11156 and SG 6141:
Screw SG 11131 (M4x6) needed.



Double System:
Universal Smart Fix SG 11155 - SG 11156 and SG 6151:
Screw SG 11127 (M4x10) and nut SG 11148 needed.



SG 6141
Clamping piece



SG 6151
Ceiling support set 3 mm



SG 10492
Pan head screw M4x8



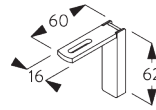
SG 11127
Countersunk head screw
M4x10



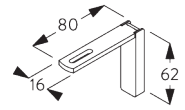
SG 11131
Pan head screw with flange
M4x6



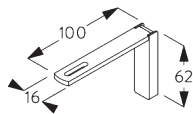
SG 11148
Nut



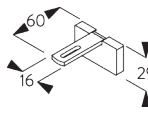
SG 11206
Smart Fix with slot 60 mm



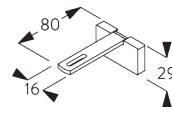
SG 11207
Smart Fix with slot 80 mm



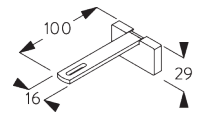
SG 11208
Smart Fix with slot 100 mm



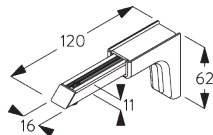
SG 11216
Square Smart Fix with slot 60
mm



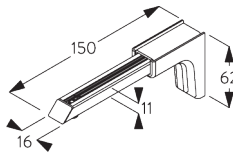
SG 11217
Square Smart Fix with slot 80
mm



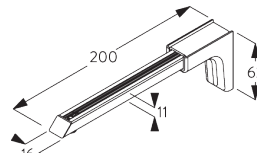
SG 11218
Square Smart Fix with slot
100 mm



SG 11154
Universal Smart Fix 120 mm

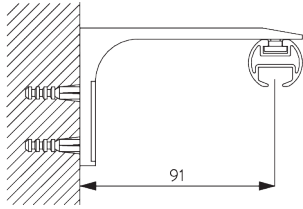


SG 11155
Universal Smart Fix 150 mm

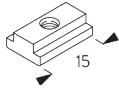


SG 11156
Universal Smart Fix 200 mm

**Fillet Bracket
SG 11669**



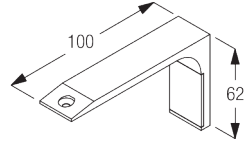
Screw SG 10492 (M4x8) needed.
Recommended for straight systems only.



SG 6141
Clamping piece



SG 10492
Pan head screw M4x8



SG 11669
Fillet bracket

DESIGN & SYSTEM OPTIONS

A. ENDCAPS



SG 11602



SG 11621



SG 11622

Endcaps:

- SG 11602 Flush endcap 23 mm
- SG 11621 Stud endcap 23 mm
- SG 11622 Design endcap 23 mm

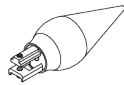
Please note:

- Without finials, poles are supplied as standard with flush fitting endcaps SG 11602 (left).
- Alternatively, stud endcaps SG 11621 can be selected.

B. FINIALS



SG 11726



SG 11727



SG 11728

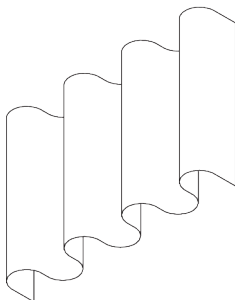


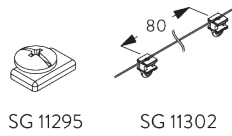
SG 11729

Finials are decorative elements that fit on at the end of the pole:

- SG 11726 Ball end 23 mm
- SG 11727 Spear 23 mm
- SG 11728 Ellipse 23 mm
- SG 11729 Taper 23 mm

C. WAVE



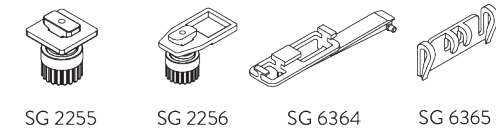


SG 11295

SG 11302

Standard components:

- SG 11295 End stop
- SG 11302 Wave 2C glider cord 80 mm



SG 2255

SG 2256

SG 6364

SG 6365

Optional components (min. Radius >25 cm):

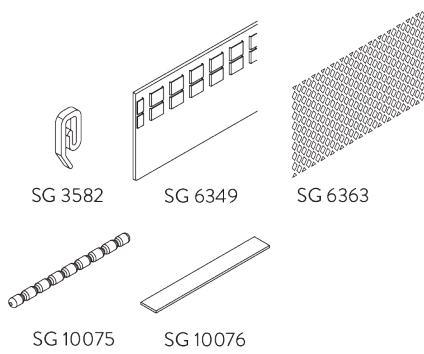
- SG 2255 Brake
- SG 2256 Brake
- SG 6364 Wave extension
- SG 6365 Wave hanger
- SG 6366 Wave carrier for draw rod
- SG 10430-34 Draw rod
- SG 11303 Wave 2C glider cord 60 mm



SG 6366

SG 10430-34

SG 11303



SG 3582

SG 6349

SG 6363

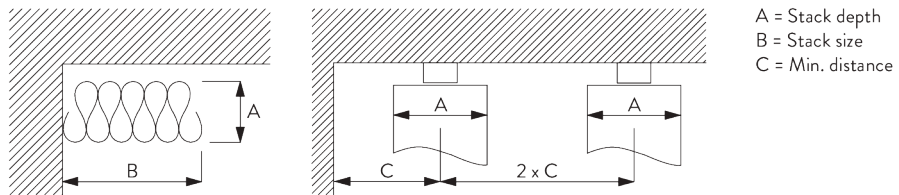
SG 10075

SG 10076

Curtain components:

- SG 3582 Hook
- SG 6349 Wave curtain tape
- SG 6363 Wave top hemming tape
- SG 10075 Lead weight 50 gr/m
- SG 10076 Fabric weigh

Wave stack depth - 2C glider cord (standard components)




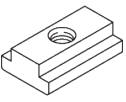

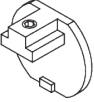
2C Glider cord SG 11302	Pockets between hooks	Approx. curtain fullness	Stack depth A	Stack size B*	Min distance C
80	6	~2.1	140	180 per metre of track	90
80	7	~2.3	160	180 per metre of track	100

2C Glider cord SG 11303	Pockets between hooks	Approx. curtain fullness	Stack depth A	Stack size B*	Min distance C
60	4	~2.1	100	230 per metre of track	70
60	5	~2.3	120	230 per metre of track	80

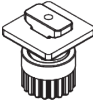
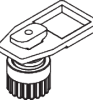




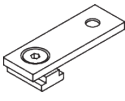
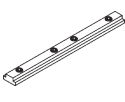
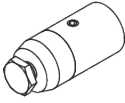


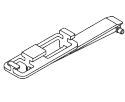
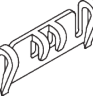
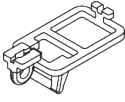
*Stack size B when using optional extension arm SG 6364 increases by 95 mm per curtain stack!

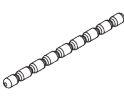
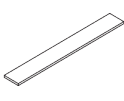
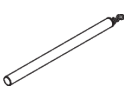
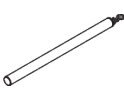
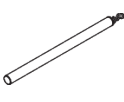
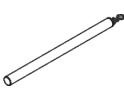
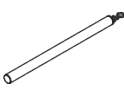
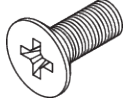

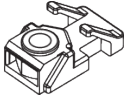
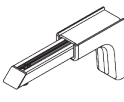
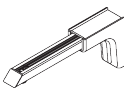
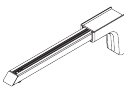
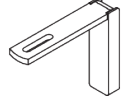
PARTS

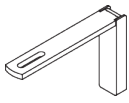
A. STANDARD PARTS

	SG 3599 Hook
	SG 6065 End stop
	SG 6141 Clamping piece
	SG 6245 Spring stop
	SG 10492 Pan head screw M4x8
	SG 11206 Smart Fix with slot 60 mm
	SG 11300 2C glider
	SG 11602 Flush end cap 23 mm
	SG 11606 Profile

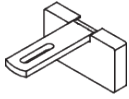
B. OPTIONAL PARTS

	SG 2255 Brake
	SG 2256 Brake
	SG 3012 Hook
	SG 3582 Hook
	SG 6057 Glider
	SG 6082 Glider
	SG 6151 Ceiling support set 3 mm
	SG 6173 Connection bridge
	SG 6175 Mini hanger
	SG 6349 Wave curtain tape
	SG 6363 Wave top hemming tape
	SG 6364 Wave extension
	SG 6365 Wave hanger
	SG 6366 Wave carrier for draw rod

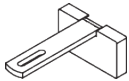
	SG 10075 Lead weight 50 g/m
	SG 10076 Fabric weight
	SG 10430 Draw rod 50 cm
	SG 10431 Draw rod 75 cm
	SG 10432 Draw rod 100 cm
	SG 10433 Draw rod 125 cm
	SG 10434 Draw rod 150 cm
	SG 11127 Countersunk head screw M4x10
	SG 11131 Pan head screw with flange M4x6
	SG 11148 Nut
	SG 11154 Universal Smart Fix 120 mm
	SG 11155 Universal Smart Fix 150 mm
	SG 11156 Universal Smart Fix 200 mm
	SG 11207 Smart Fix with slot 80 mm



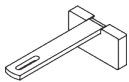
SG 11208
Smart Fix with slot 100 mm



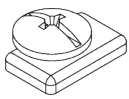
SG 11216
Square Smart Fix with slot 60 mm



SG 11217
Square Smart Fix with slot 80 mm



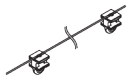
SG 11218
Square Smart Fix with slot 100 mm



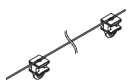
SG 11295
End stop



SG 11301
2C glider on strip



SG 11302
Wave 2C glider cord 80 mm



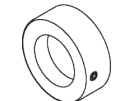
SG 11303
Wave 2C glider cord 60 mm



SG 11305
2C glider for direct sewing



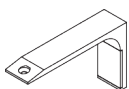
SG 11621
Stud endcap 23 mm



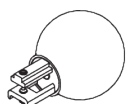
SG 11622
Design endcap 23 mm



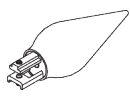
SG 11668
Top fix bracket



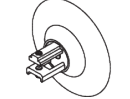
SG 11669
Fillet bracket



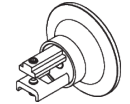
SG 11726
Ball end 23 mm



SG 11727
Spear 23 mm

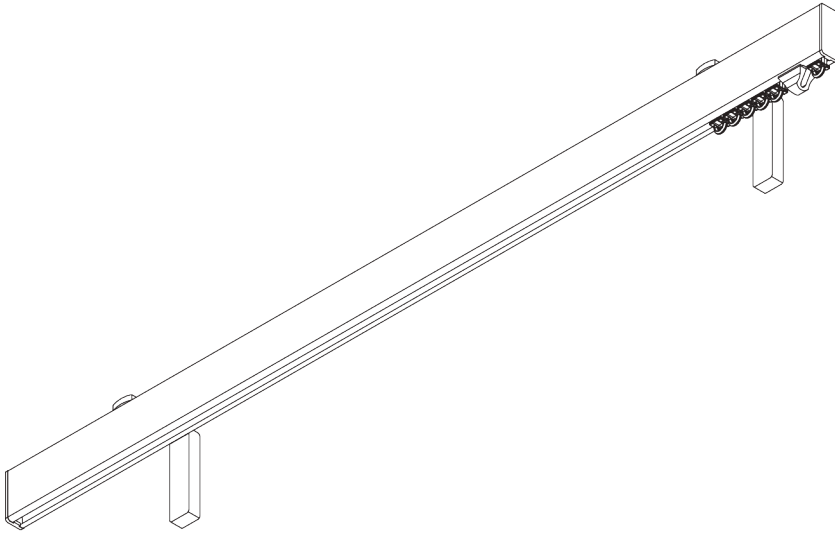
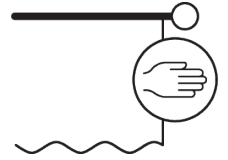


SG 11728
Ellipse 23 mm



SG 11729
Taper 23 mm

SG 7605



PRODUCT INFORMATION

- **Operation:** hand
- **Range:** S - M
- **Fitting:** ceiling, wall
- **Colours:** white RAL 9016, various colours / finishes
- **Fabrics:** refer to Silent Gliss fabric collection

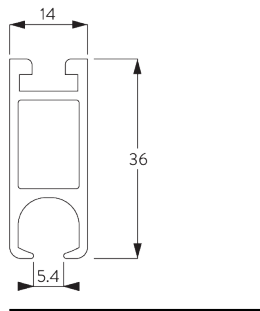
Features:

- 2-component (2C) glider technology
- Wave (2C)
- Matching endcaps and brackets / bracket covers
- Bendable

SYSTEM SPECIFICATIONS

A. PROFILE

Profile and bending information

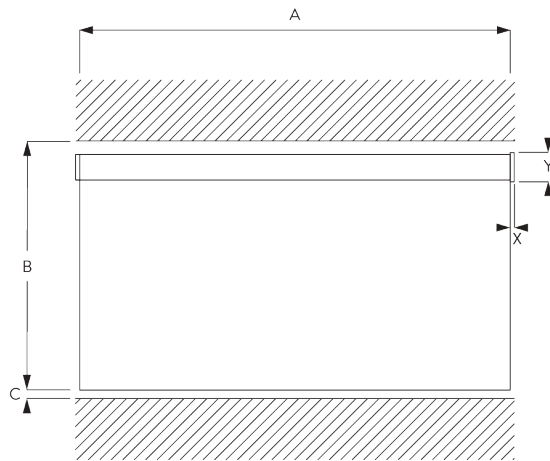


SG 6101

Profile

Radius:
20 cm, >25 cm

B. HOW TO MEASURE



A: System width without endcaps
B: System height
C: Distance between floor and fabric
X: Endcap width
Y: Endcap height

Endcap Measurements

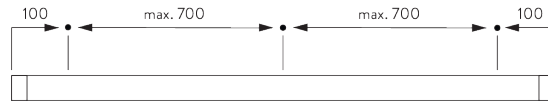
		36 mm	
		X	Y
	SG 11601	2	36
	SG 11611	5	40

FITTING

A. FITTING INFORMATION

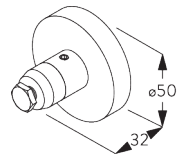
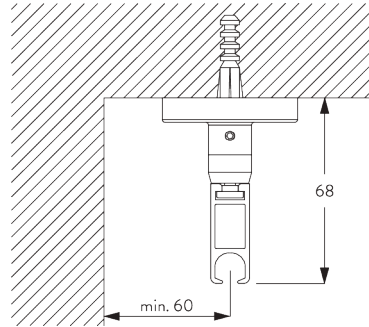
For detailed fitting information, visit the Silent Gliss website.

Fixing points



B. CEILING FITTING

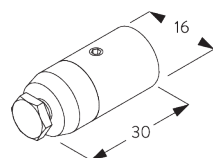
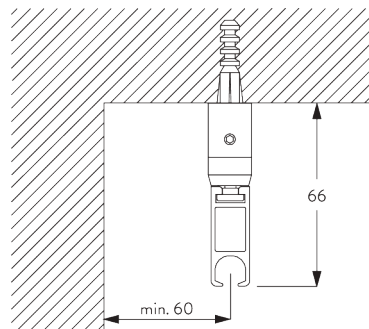
Top fix bracket SG 11668



SG 11668

Top fix bracket

Mini hanger SG 6175

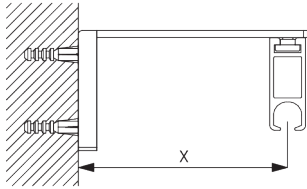


SG 6175

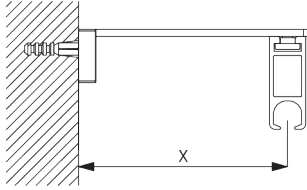
Mini hanger

C. WALL FITTING

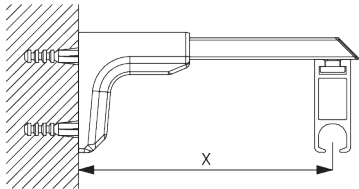
Smart Fix



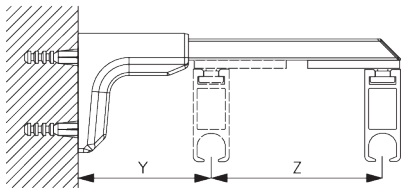
Smart Fix with slot SG 11206 - SG 11208 and SG 6141:
Screw SG 10492 (M4x8) needed.



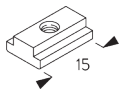
Square Smart Fix with slot SG 11216 - SG 11218 and SG 6141:
Screw SG 10492 (M4x8) needed.



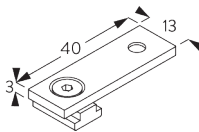
Universal Smart Fix SG 11154 - SG 11156 and SG 6141:
Screw SG 11131 (M4x6) needed.



Double System:
Universal Smart Fix SG 11155 - SG 11156 and SG 6151:
Screw SG 11127 (M4x10) and nut SG 11148 needed.



SG 6141
Clamping piece



SG 6151
Ceiling support set 3 mm



SG 10492
Pan head screw M4x8



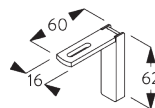
SG 11127
Countersunk head screw
M4x10



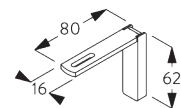
SG 11131
Pan head screw with flange
M4x6



SG 11148
Nut

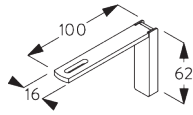


SG 11206
Smart Fix with slot 60 mm

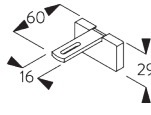


SG 11207
Smart Fix with slot 80 mm

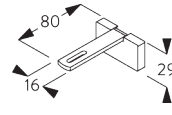
Smart Fix	X mm	Y mm	Z mm
SG 11206 / SG 11216	51		
SG 11207 / SG 11217	71		
SG 11208 / SG 11218	91		
SG 11154	102-130		
SG 11155	132-160	68	65-72
SG 11156	182-210	68	65-123



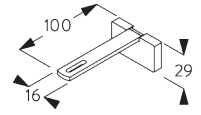
SG 11208
Smart Fix with slot 100 mm



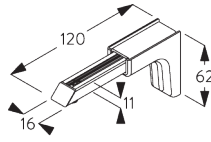
SG 11216
Square Smart Fix with slot 60 mm



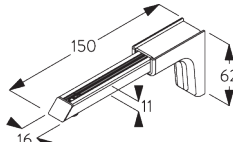
SG 11217
Square Smart Fix with slot 80 mm



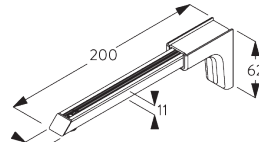
SG 11218
Square Smart Fix with slot 100 mm



SG 11154
Universal Smart Fix 120 mm

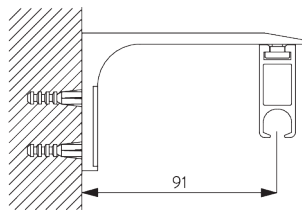


SG 11155
Universal Smart Fix 150 mm

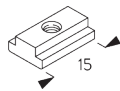


SG 11156
Universal Smart Fix 200 mm

Fillet Bracket SG 11669



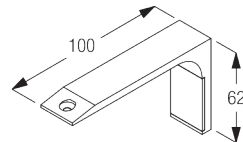
Screw SG 10492 (M4x8) needed.
Recommended for straight systems only.



SG 6141
Clamping piece



SG 10492
Pan head screw M4x8



SG 11669
Fillet bracket

DESIGN & SYSTEM OPTIONS

A. ENDCAPS



SG 11601

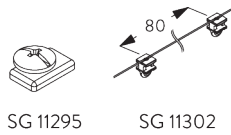
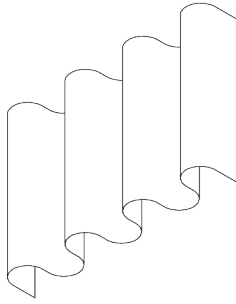


SG 11611

Please note:

- Poles are supplied as standard with flush fitting endcaps SG 11601 (left).
- Alternatively, stud endcaps SG 11611 (right) can be selected.

B. WAVE

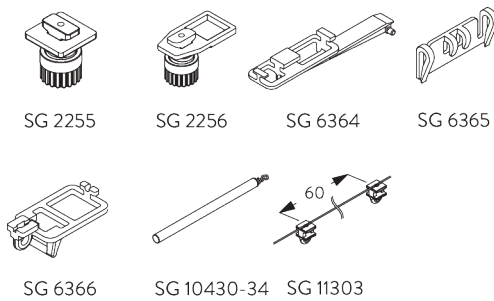


SG 11295

SG 11302

Standard components:

- SG 11295 End stop
- SG 11302 Wave 2C glider cord 80 mm



SG 2255

SG 2256

SG 6364

SG 6365

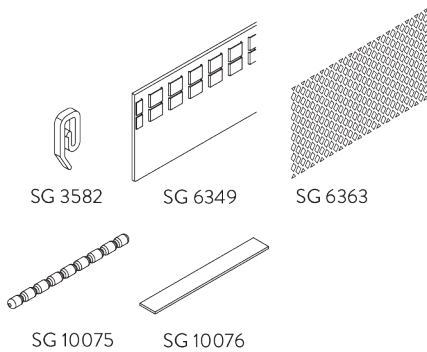
SG 6366

SG 10430-34

SG 11303

Optional components (min. Radius >25 cm):

- SG 2255 Brake
- SG 2256 Brake
- SG 6364 Wave extension
- SG 6365 Wave hanger
- SG 6366 Wave carrier for draw rod
- SG 10430-34 Draw rod
- SG 11303 Wave 2C glider cord 60 mm



SG 3582

SG 6349

SG 6363

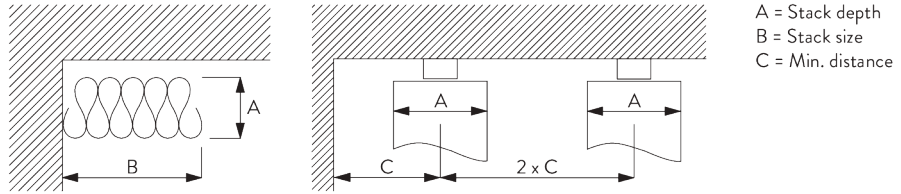
SG 10075

SG 10076

Curtain components:

- SG 3582 Hook
- SG 6349 Wave curtain tape
- SG 6363 Wave top hemming tape
- SG 10075 Lead weight 50 gr/m
- SG 10076 Fabric weigh

Wave stack depth - 2C glider cord (standard components)






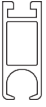
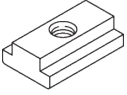
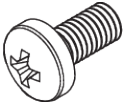
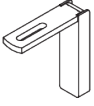

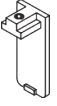
2C Glider cord SG 11302	Pockets between hooks	Approx. curtain fullness	Stack depth A	Stack size B*	Min distance C
80	6	~2.1	140	180 per metre of track	90
80	7	~2.3	160	180 per metre of track	100

2C Glider cord SG 11303	Pockets between hooks	Approx. curtain fullness	Stack depth A	Stack size B*	Min distance C
60	4	~2.1	100	230 per metre of track	70
60	5	~2.3	120	230 per metre of track	80

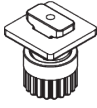

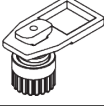
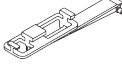

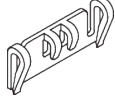

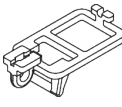



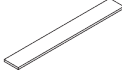
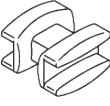





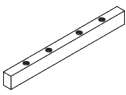
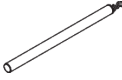
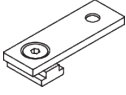
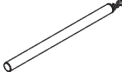
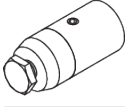
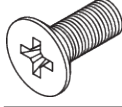



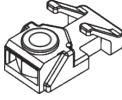
*Stack size B when using optional extension arm SG 6364 increases by 95 mm per curtain stack!

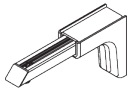
PARTS

A. STANDARD PARTS

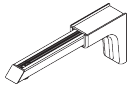
	SG 3599 Hook
	SG 6065 End stop
	SG 6086 Spring stop
	SG 6101 Profile
	SG 6141 Clamping piece
	SG 10492 Pan head screw M4x8
	SG 11206 Smart Fix with slot 60 mm
	SG 11300 2C glider
	SG 11601 Flush end cap 36 mm

B. OPTIONAL PARTS

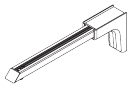
	SG 2255 Brake		SG 6363 Wave top hemming tape
	SG 2256 Brake		SG 6364 Wave extension
	SG 3012 Hook		SG 6365 Wave hanger
	SG 3582 Hook		SG 6366 Wave carrier for draw rod
	SG 6053 Spring stop		SG 10075 Lead weight 50 g/m
	SG 6057 Glider		SG 10076 Fabric weight
	SG 6082 Glider		SG 10430 Draw rod 50 cm
	SG 6094 Roller		SG 10431 Draw rod 75 cm
	SG 6098 Roller		SG 10432 Draw rod 100 cm
	SG 6112 Connection bridge		SG 10433 Draw rod 125 cm
	SG 6151 Ceiling support set 3 mm		SG 10434 Draw rod 150 cm
	SG 6175 Mini hanger		SG 11127 Countersunk head screw M4x10
	SG 6283 Roller		SG 11131 Pan head screw with flange M4x6
	SG 6349 Wave curtain tape		SG 11148 Nut



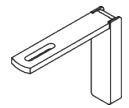
SG 11154
Universal Smart Fix 120 mm



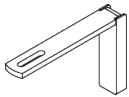
SG 11155
Universal Smart Fix 150 mm



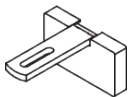
SG 11156
Universal Smart Fix 200 mm



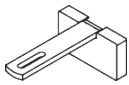
SG 11207
Smart Fix with slot 80 mm



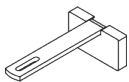
SG 11208
Smart Fix with slot 100 mm



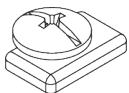
SG 11216
Square Smart Fix with slot 60 mm



SG 11217
Square Smart Fix with slot 80 mm



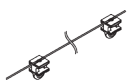
SG 11218
Square Smart Fix with slot 100 mm



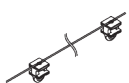
SG 11295
End stop



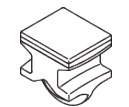
SG 11301
2C glider on strip



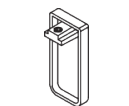
SG 11302
Wave 2C glider cord 80 mm



SG 11303
Wave 2C glider cord 60 mm



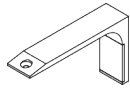
SG 11305
2C glider for direct sewing



SG 11611
Stud endcap 36 mm

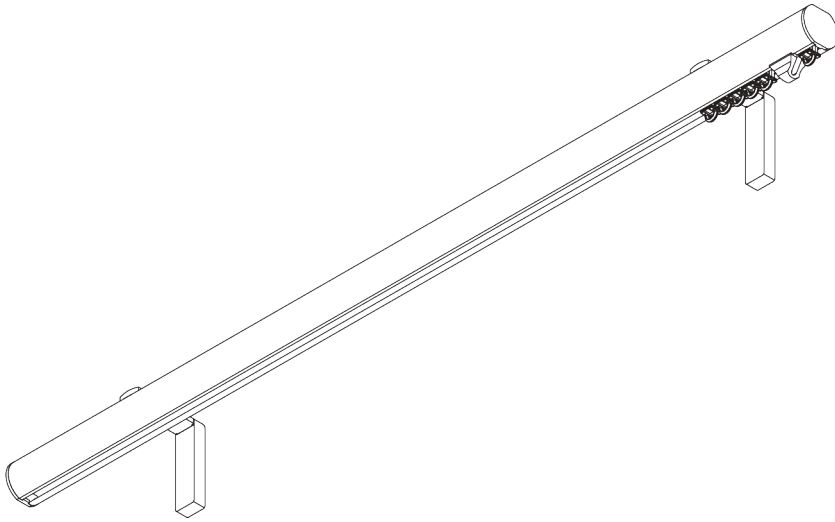
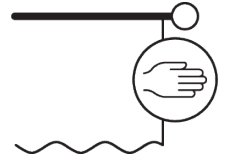


SG 11668
Top fix bracket



SG 11669
Fillet bracket

SG 7610



PRODUCT INFORMATION

- **Operation:** hand
- **Range:** S - M
- **Fitting:** ceiling, wall
- **Colours:** white RAL 9016, various colours / finishes
- **Fabrics:** refer to Silent Gliss fabric collection

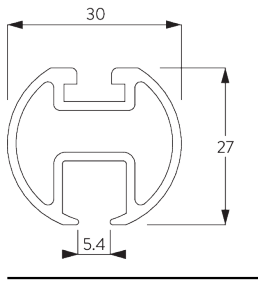
Features:

- 2-component (2C) glider technology
- Wave (2C)
- Matching endcaps and brackets / bracket covers
- Range of decorative finials
- Bendable

SYSTEM SPECIFICATIONS

A. PROFILE

Profile and bending information

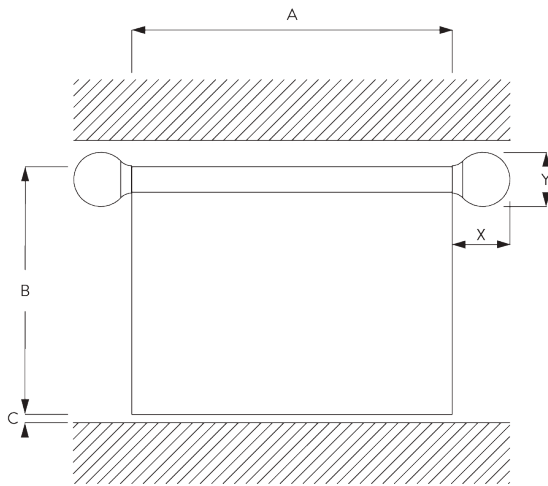


SG 6103p

Profile



B. HOW TO MEASURE



A: System width without finials


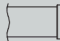


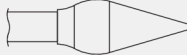


B: System height

C: Distance between floor and fabric

X: Finial width

Y: Finial height

Finial Measurements

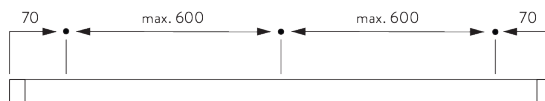
		30 mm	
		X	Y
	SG 11603	2	30
	SG 11631	10	34
	SG 11632	18	50
	SG 11746	64	60
	SG 11747	116	48
	SG 11748	26	90
	SG 11749	20	60

FITTING

A. FITTING INFORMATION

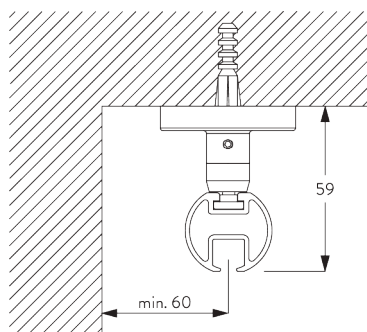
For detailed fitting information, visit the *Silent Gliss* website.

Fixing points



B. CEILING FITTING

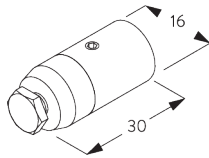
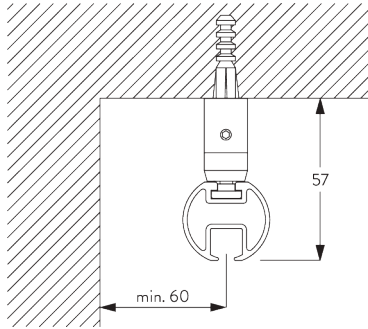
Top fix bracket SG 11668





SG 11668
Top fix bracket

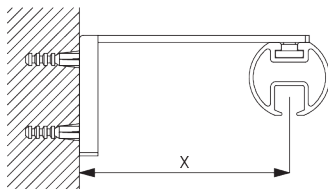
Mini hanger SG 6175



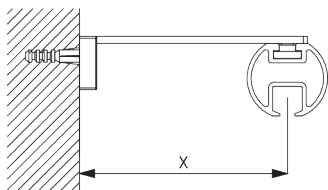
SG 6175
Mini hanger

C. WALL FITTING

Smart Fix

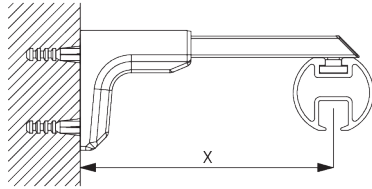


Smart Fix with slot SG 11206 - SG 11208 and SG 6141:
Screw SG 10492 (M4x8) needed.

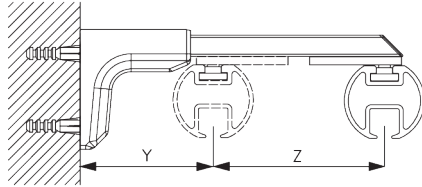


Square Smart Fix with slot SG 11216 - SG 11218 and SG 6141:
Screw SG 10492 (M4x8) needed.

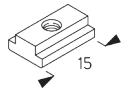
Smart Fix	X mm	Y mm	Z mm
SG 11206 / SG 11216	51		
SG 11207 / SG 11217	71		
SG 11208 / SG 11218	91		
SG 11154	102-130		
SG 11155	132-160	68	65-72
SG 11156	182-210	68	65-123



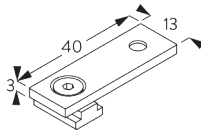
Universal Smart Fix SG 11154 - SG 11156 and SG 6141:
Screw SG 11131 (M4x6) needed.



Double System:
Universal Smart Fix SG 11155 - SG 11156 and SG 6151:
Screw SG 11127 (M4x10) and nut SG 11148 needed.



SG 6141
Clamping piece



SG 6151
Ceiling support set 3 mm



SG 10492
Pan head screw M4x8



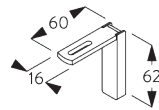
SG 11127
Countersunk head screw
M4x10



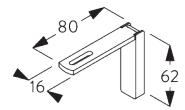
SG 11131
Pan head screw with flange
M4x6



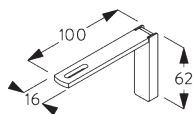
SG 11148
Nut



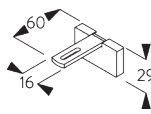
SG 11206
Smart Fix with slot 60 mm



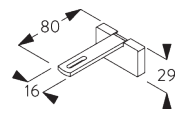
SG 11207
Smart Fix with slot 80 mm



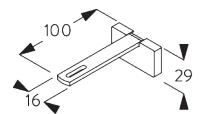
SG 11208
Smart Fix with slot 100 mm



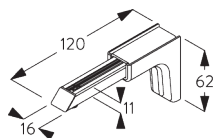
SG 11216
Square Smart Fix with slot 60
mm



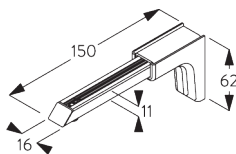
SG 11217
Square Smart Fix with slot 80
mm



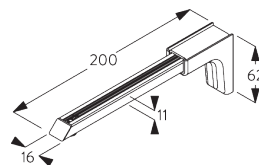
SG 11218
Square Smart Fix with slot
100 mm



SG 11154
Universal Smart Fix 120 mm

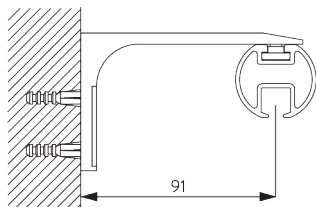


SG 11155
Universal Smart Fix 150 mm

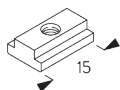


SG 11156
Universal Smart Fix 200 mm

Fillet Bracket SG 11669



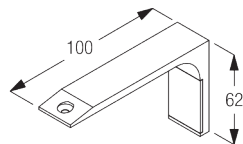
Screw SG 10492 (M4x8) needed.
Recommended for straight systems only.



SG 6141
Clamping piece



SG 10492
Pan head screw M4x8



SG 11669
Fillet bracket

DESIGN & SYSTEM OPTIONS

A. ENDCAPS



SG 11603



SG 11631



SG 11632

Endcaps:

- SG 11603 Flush endcap 30 mm
- SG 11631 Stud endcap 30 mm
- SG 11632 Design endcap 30 mm

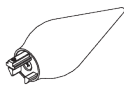
Please note:

- Without finials, poles are supplied as standard with flush fitting endcaps SG 11603 (left).
- Alternatively, stud endcaps SG 11631 can be selected.

B. FINIALS



SG 11746



SG 11747



SG 11748

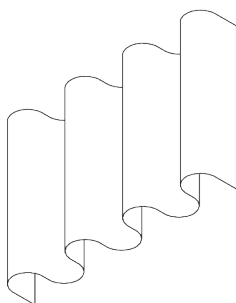


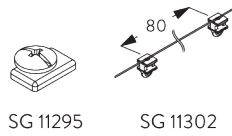
SG 11749

Finials are decorative elements that fit on at the end of the pole:

- SG 11746 Ball end 30 mm
- SG 11747 Spear 30 mm
- SG 11748 Ellipse 30 mm
- SG 11749 Taper 30 mm

C. WAVE



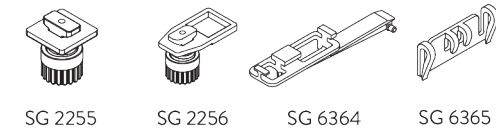


SG 11295

SG 11302

Standard components:

- SG 11295 End stop
- SG 11302 Wave 2C glider cord 80 mm



SG 2255

SG 2256

SG 6364

SG 6365

Optional components:

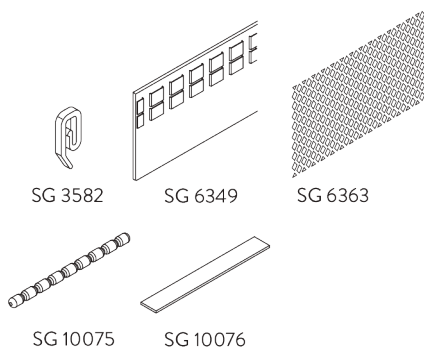
- SG 2255 Brake
- SG 2256 Brake
- SG 6364 Wave extension
- SG 6365 Wave hanger
- SG 6366 Wave carrier for draw rod
- SG 10430-34 Draw rod
- SG 11303 Wave 2C glider cord 60 mm



SG 6366

SG 10430-34

SG 11303



SG 3582

SG 6349

SG 6363

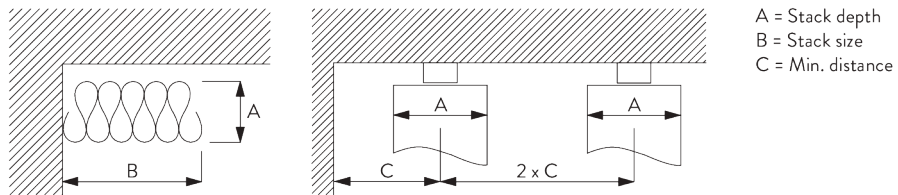
SG 10075

SG 10076

Curtain components:

- SG 3582 Hook
- SG 6349 Wave curtain tape
- SG 6363 Wave top hemming tape
- SG 10075 Lead weight 50 gr/m
- SG 10076 Fabric weigh

Wave stack depth - 2C glider cord (standard components)





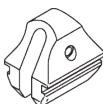

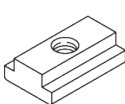

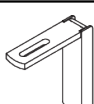


2C Glider cord SG 11302	Pockets between hooks	Approx. curtain fullness	Stack depth A	Stack size B*	Min distance C
80	6	~2.1	140	180 per metre of track	90
80	7	~2.3	160	180 per metre of track	100

2C Glider cord SG 11303	Pockets between hooks	Approx. curtain fullness	Stack depth A	Stack size B*	Min distance C
60	4	~2.1	100	230 per metre of track	70
60	5	~2.3	120	230 per metre of track	80

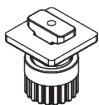
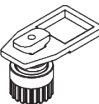






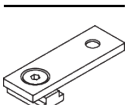
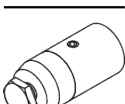

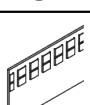
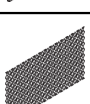
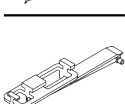
*Stack size B when using optional extension arm SG 6364 increases by 95 mm per curtain stack!

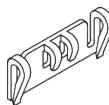
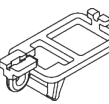
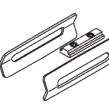

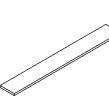
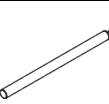
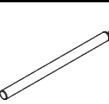
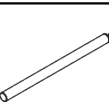
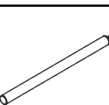
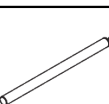
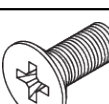
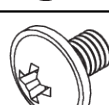
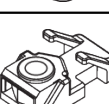
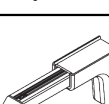
PARTS

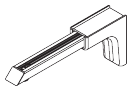
A. STANDARD PARTS

	SG 3599 Hook
	SG 6065 End stop
	SG 6086 Spring stop
	SG 6103p Profile
	SG 6141 Clamping piece
	SG 10492 Pan head screw M4x8
	SG 11206 Smart Fix with slot 60 mm
	SG 11300 2C glider
	SG 11603 Flush end cap 30 mm

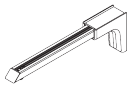
B. OPTIONAL PARTS

	SG 2255 Brake
	SG 2256 Brake
	SG 3012 Hook
	SG 3582 Hook
	SG 6057 Glider
	SG 6082 Glider
	SG 6094 Roller
	SG 6098 Roller
	SG 6151 Ceiling support set 3 mm
	SG 6175 Mini hanger
	SG 6283 Roller
	SG 6349 Wave curtain tape
	SG 6363 Wave top hemming tape
	SG 6364 Wave extension

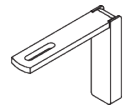
	SG 6365 Wave hanger
	SG 6366 Wave carrier for draw rod
	SG 6635 Connection bridge set
	SG 10075 Lead weight 50 g/m
	SG 10076 Fabric weight
	SG 10430 Draw rod 50 cm
	SG 10431 Draw rod 75 cm
	SG 10432 Draw rod 100 cm
	SG 10433 Draw rod 125 cm
	SG 10434 Draw rod 150 cm
	SG 11127 Countersunk head screw M4x10
	SG 11131 Pan head screw with flange M4x6
	SG 11148 Nut
	SG 11154 Universal Smart Fix 120 mm

**SG 11155**

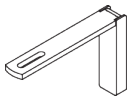
Universal Smart Fix 150 mm

**SG 11156**

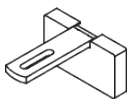
Universal Smart Fix 200 mm

**SG 11207**

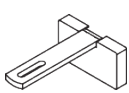
Smart Fix with slot 80 mm

**SG 11208**

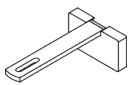
Smart Fix with slot 100 mm

**SG 11216**

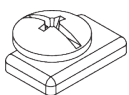
Square Smart Fix with slot 60 mm

**SG 11217**

Square Smart Fix with slot 80 mm

**SG 11218**

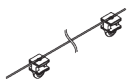
Square Smart Fix with slot 100 mm

**SG 11295**

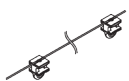
End stop

**SG 11301**

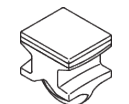
2C glider on strip

**SG 11302**

Wave 2C glider cord 80 mm

**SG 11303**

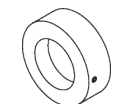
Wave 2C glider cord 60 mm

**SG 11305**

2C glider for direct sewing

**SG 11631**

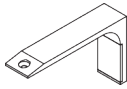
Stud endcap 30 mm

**SG 11632**

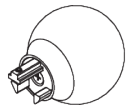
Design endcap 30 mm

**SG 11668**

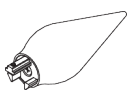
Top fix bracket

**SG 11669**

Fillet bracket

**SG 11746**

Ball end 30 mm

**SG 11747**

Spear 30 mm

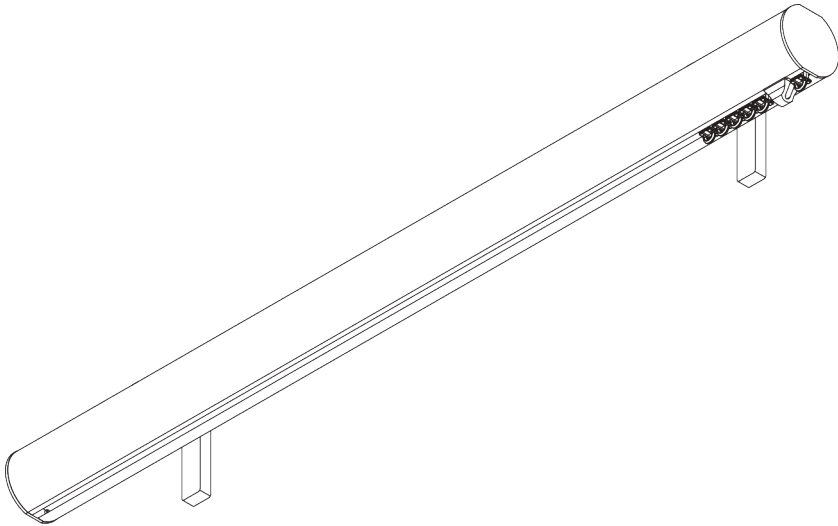
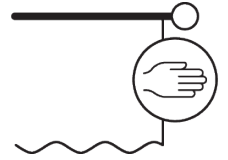
**SG 11748**

Ellipse 30 mm

**SG 11749**

Taper 30 mm

SG 7620



PRODUCT INFORMATION

- **Operation:** hand
- **Range:** M - L
- **Fitting:** ceiling, wall
- **Colours:** white RAL 9016, various colours / finishes
- **Fabrics:** refer to Silent Gliss fabric collection

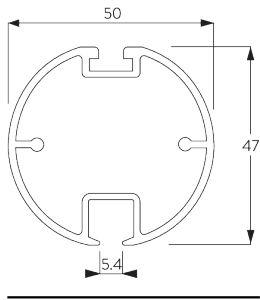
Features:

- 2-component (2C) glider technology
- Wave (2C)
- Matching endcaps and brackets / bracket covers
- Range of decorative finials
- Bendable

SYSTEM SPECIFICATIONS

A. PROFILE

Profile and bending information

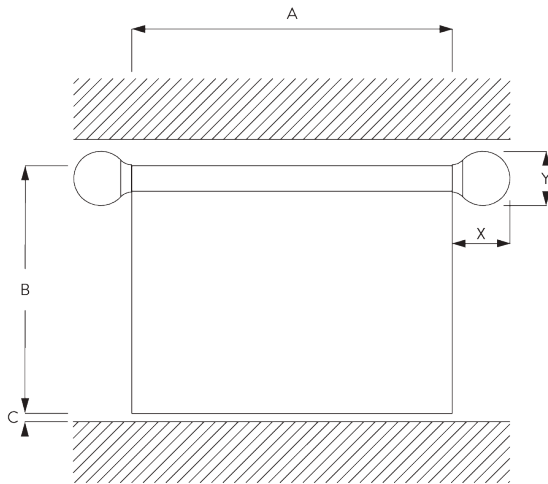


SG 11609

Profile

Radius:
>50 cm

B. HOW TO MEASURE



A: System width without finials


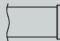


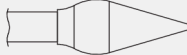


B: System height

C: Distance between floor and fabric

X: Finial width

Y: Finial height

Finial Measurements

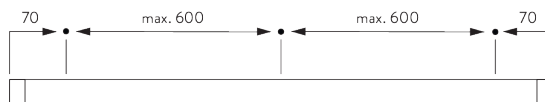
		50 mm	
		X	Y
	SG 11605	2	51
	SG 11651	10	56
	SG 11652	24	75
	SG 11776	90	85
	SG 11777	165	70
	SG 11778	32	130
	SG 11779	30	100

FITTING

A. FITTING INFORMATION

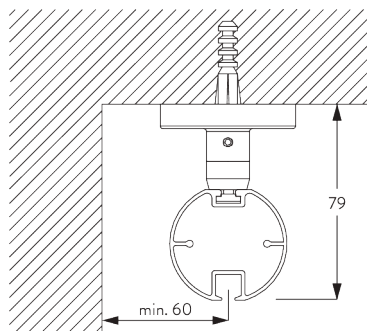
For detailed fitting information, visit the *Silent Gliss* website.

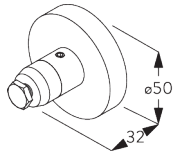
Fixing points



B. CEILING FITTING

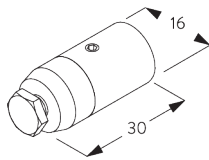
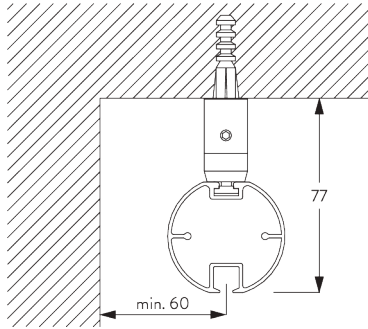
Top fix bracket SG 11668





SG 11668
Top fix bracket

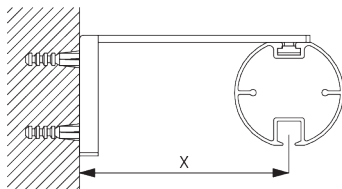
Mini hanger SG 6175



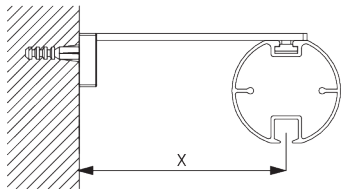
SG 6175
Mini hanger

C. WALL FITTING

Smart Fix

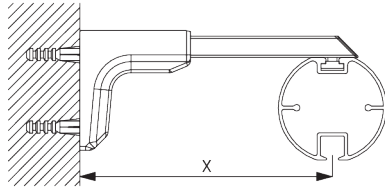


Smart Fix with slot SG 11206 - SG 11208 and SG 6141:
Screw SG 10492 (M4x8) needed.

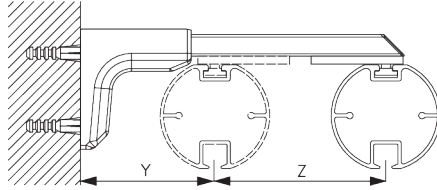


Square Smart Fix with slot SG 11216 - SG 11218 and SG 6141:
Screw SG 10492 (M4x8) needed.

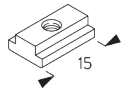
Smart Fix	X mm	Y mm	Z mm
SG 11206 / SG 11216	51		
SG 11207 / SG 11217	71		
SG 11208 / SG 11218	91		
SG 11154	102-130		
SG 11155	132-160	68	65-72
SG 11156	182-210	68	65-123



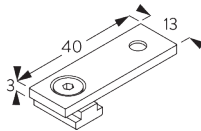
Universal Smart Fix SG 11154 - SG 11156 and SG 6141:
Screw SG 11131 (M4x6) needed.



Double System:
Universal Smart Fix SG 11155 - SG 11156 and SG 6151:
Screw SG 11127 (M4x10) and nut SG 11148 needed.



SG 6141
Clamping piece



SG 6151
Ceiling support set 3 mm



SG 10492
Pan head screw M4x8



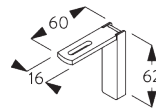
SG 11127
Countersunk head screw
M4x10



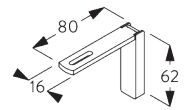
SG 11131
Pan head screw with flange
M4x6



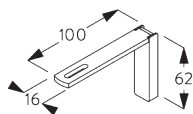
SG 11148
Nut



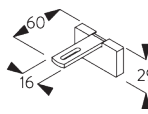
SG 11206
Smart Fix with slot 60 mm



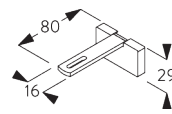
SG 11207
Smart Fix with slot 80 mm



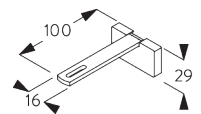
SG 11208
Smart Fix with slot 100 mm



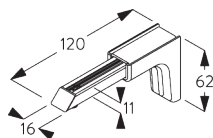
SG 11216
Square Smart Fix with slot 60
mm



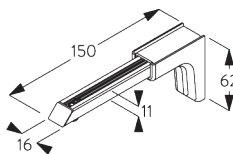
SG 11217
Square Smart Fix with slot 80
mm



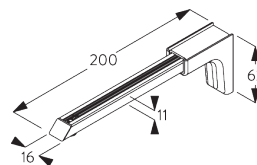
SG 11218
Square Smart Fix with slot
100 mm



SG 11154
Universal Smart Fix 120 mm

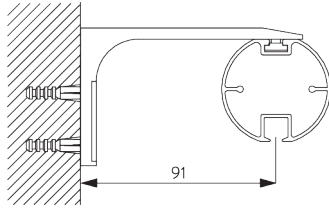


SG 11155
Universal Smart Fix 150 mm

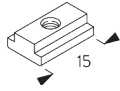


SG 11156
Universal Smart Fix 200 mm

**Fillet Bracket
SG 11669**



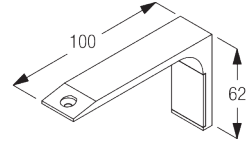
Screw SG 10492 (M4x8) needed.
Recommended for straight systems only.



SG 6141
Clamping piece



SG 10492
Pan head screw M4x8



SG 11669
Fillet bracket

DESIGN & SYSTEM OPTIONS

A. ENDCAPS



SG 11605



SG 11651



SG 11652

Endcaps:

- SG 11605 Flush endcap 50 mm
- SG 11651 Stud endcap 50 mm
- SG 11652 Design endcap 50 mm

Please note:

- Without finials, poles are supplied as standard with flush fitting endcaps SG 11605 (left).
- Alternatively, stud endcaps SG 11651 can be selected.

B. FINIALS



SG 11776



SG 11777



SG 11778

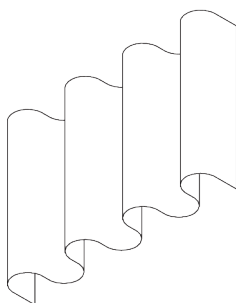


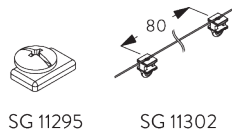
SG 11779

Finials are decorative elements that fit on at the end of the pole:

- SG 11776 Ball end 50 mm
- SG 11777 Spear 50 mm
- SG 11778 Ellipse 50 mm
- SG 11779 Taper 50 mm

C. WAVE



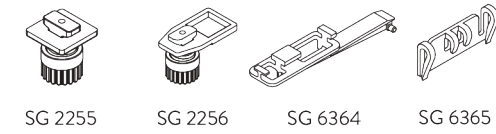


SG 11295

SG 11302

Standard components:

- SG 11295 End stop
- SG 11302 Wave 2C glider cord 80 mm



SG 2255

SG 2256

SG 6364

SG 6365

Optional components:

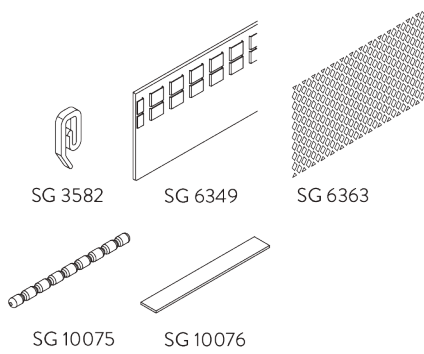
- SG 2255 Brake
- SG 2256 Brake
- SG 6364 Wave extension
- SG 6365 Wave hanger
- SG 6366 Wave carrier for draw rod
- SG 10430-34 Draw rod
- SG 11303 Wave 2C glider cord 60 mm



SG 6366

SG 10430-34

SG 11303



SG 3582

SG 6349

SG 6363

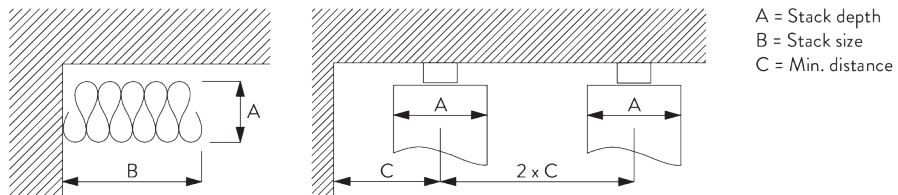
SG 10075

SG 10076

Curtain components:

- SG 3582 Hook
- SG 6349 Wave curtain tape
- SG 6363 Wave top hemming tape
- SG 10075 Lead weight 50 gr/m
- SG 10076 Fabric weigh

Wave stack depth - 2C glider cord (standard components)






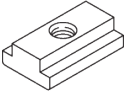
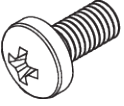
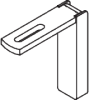


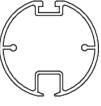
2C Glider cord SG 11302	Pockets between hooks	Approx. curtain fullness	Stack depth A	Stack size B*	Min distance C
80	6	~2.1	140	180 per metre of track	90
80	7	~2.3	160	180 per metre of track	100

2C Glider cord SG 11303	Pockets between hooks	Approx. curtain fullness	Stack depth A	Stack size B*	Min distance C
60	4	~2.1	100	230 per metre of track	70
60	5	~2.3	120	230 per metre of track	80

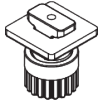
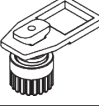






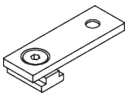
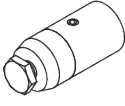

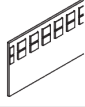

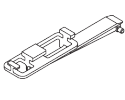
*Stack size B when using optional extension arm SG 6364 increases by 95 mm per curtain stack!

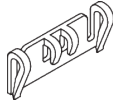
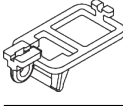
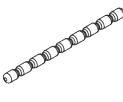
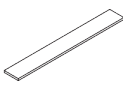
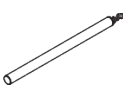

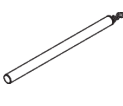
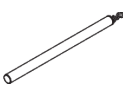
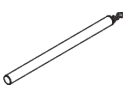
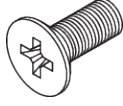

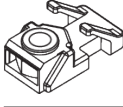
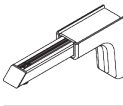
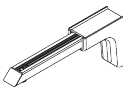
PARTS

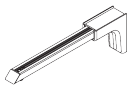
A. STANDARD PARTS

	SG 3599 Hook
	SG 6065 End stop
	SG 6086 Spring stop
	SG 6141 Clamping piece
	SG 10492 Pan head screw M4x8
	SG 11206 Smart Fix with slot 60 mm
	SG 11300 2C glider
	SG 11605 Flush end cap 50 mm
	SG 11609 Profile

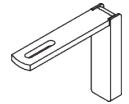
B. OPTIONAL PARTS

	SG 2255 Brake
	SG 2256 Brake
	SG 3012 Hook
	SG 3582 Hook
	SG 6057 Glider
	SG 6082 Glider
	SG 6094 Roller
	SG 6098 Roller
	SG 6151 Ceiling support set 3 mm
	SG 6175 Mini hanger
	SG 6283 Roller
	SG 6349 Wave curtain tape
	SG 6363 Wave top hemming tape
	SG 6364 Wave extension

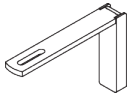
	SG 6365 Wave hanger
	SG 6366 Wave carrier for draw rod
	SG 10075 Lead weight 50 g/m
	SG 10076 Fabric weight
	SG 10430 Draw rod 50 cm
	SG 10431 Draw rod 75 cm
	SG 10432 Draw rod 100 cm
	SG 10433 Draw rod 125 cm
	SG 10434 Draw rod 150 cm
	SG 11127 Countersunk head screw M4x10
	SG 11131 Pan head screw with flange M4x6
	SG 11148 Nut
	SG 11154 Universal Smart Fix 120 mm
	SG 11155 Universal Smart Fix 150 mm



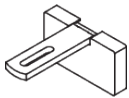
SG 11156
Universal Smart Fix 200 mm



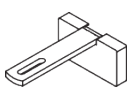
SG 11207
Smart Fix with slot 80 mm



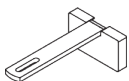
SG 11208
Smart Fix with slot 100 mm



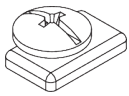
SG 11216
Square Smart Fix with slot 60 mm



SG 11217
Square Smart Fix with slot 80 mm



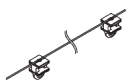
SG 11218
Square Smart Fix with slot 100 mm



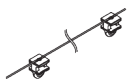
SG 11295
End stop



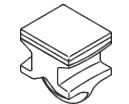
SG 11301
2C glider on strip



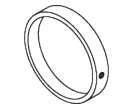
SG 11302
Wave 2C glider cord 80 mm



SG 11303
Wave 2C glider cord 60 mm



SG 11305
2C glider for direct sewing



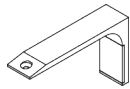
SG 11651
Stud endcap 50 mm



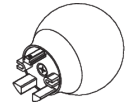
SG 11652
Design endcap 50 mm



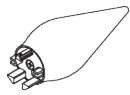
SG 11668
Top fix bracket



SG 11669
Fillet bracket



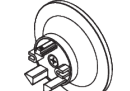
SG 11776
Ball end 50 mm



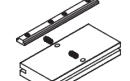
SG 11777
Spear 50 mm



SG 11778
Ellipse 50 mm



SG 11779
Taper 50 mm



SG 11783
Connection bridge

The Architects of Silence

Silent Gliss is the leading global supplier of premium interior window treatments. Since 1952 we have been tirelessly committed to the development of the world's smoothest, quietest systems using state of the art technology.

Driven by customer needs, Silent Gliss offers functional and durable products. Expert technical advice coupled with installation and support services complete the offer. Silent Gliss stands for innovative, sustainable, tailor made solutions, exceptional design and first-class quality.

Silent Gliss GmbH

Belgradplatz 5 / Office 3
1100 Vienna

Austria

T +43 (0) 1 615 02 73

F +43 (0) 1 615 02 73 88

info@silentgliss.at

silentgliss.at

silentgliss-cee.com

silentgliss-russia.com