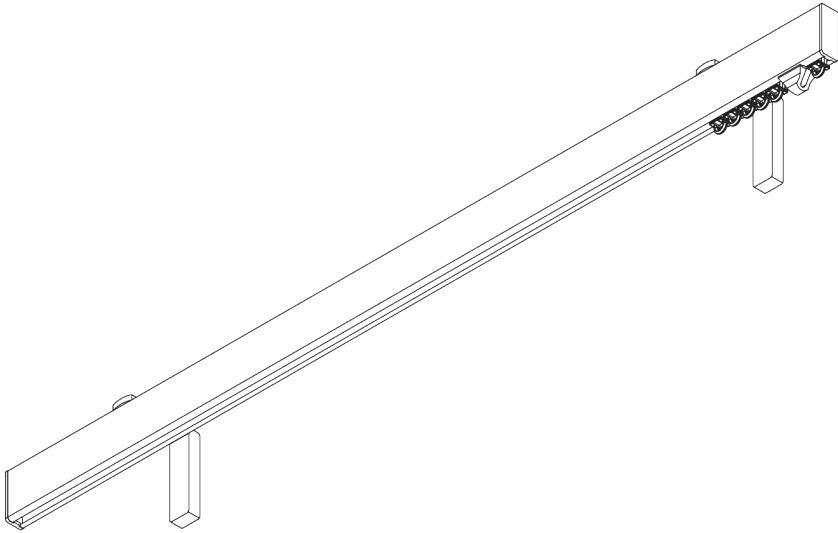
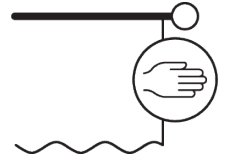


SG 7605



PRODUCT INFORMATION

- **Operation:** hand
- **Range:** S - M
- **Fitting:** ceiling, wall
- **Colours:** white RAL 9016, various colours / finishes
- **Fabrics:** refer to Silent Gliss fabric collection

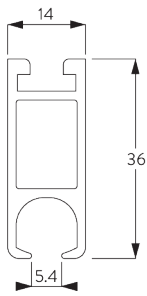
Features:

- 2-component (2C) glider technology
- Wave (2C)
- Matching endcaps and brackets / bracket covers
- Bendable

SYSTEM SPECIFICATIONS

A. PROFILE

Profile and bending information

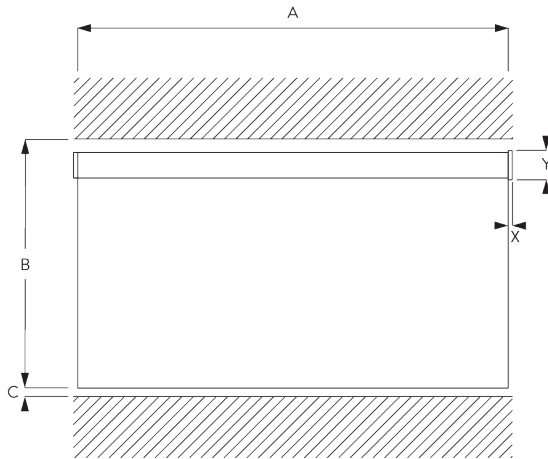


SG 6101

Profile

Radius:
20 cm, >25 cm

B. HOW TO MEASURE



A: System width without endcaps
B: System height
C: Distance between floor and fabric
X: Endcap width
Y: Endcap height

Endcap Measurements

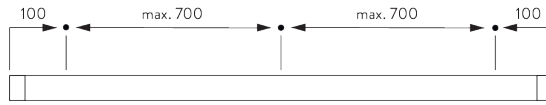
		36 mm	
		X	Y
	SG 11601	2	36
	SG 11611	5	40

FITTING

A. FITTING INFORMATION

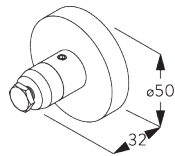
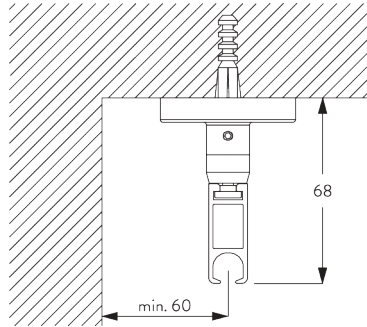
For detailed fitting information, visit the Silent Gliss website.

Fixing points



B. CEILING FITTING

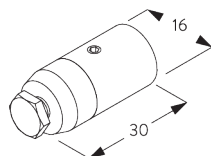
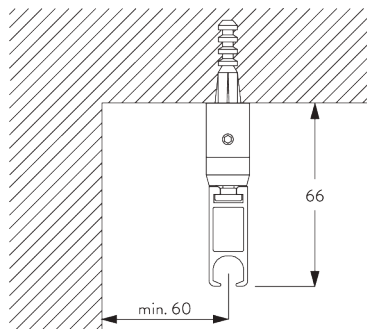
Top fix bracket SG 11668



SG 11668

Top fix bracket

Mini hanger SG 6175

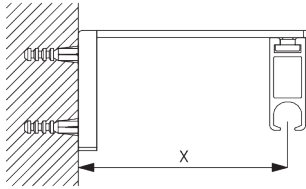


SG 6175

Mini hanger

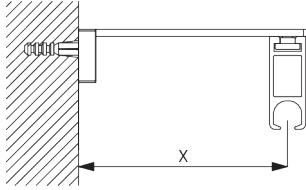
C. WALL FITTING

Smart Fix

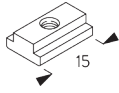


Smart Fix with slot SG 11206 - SG 11208 and SG 6141:
Screw SG 10492 (M4x8) needed.

Smart Fix	X mm
SG 11206 / SG 11216	51
SG 11207 / SG 11217	71
SG 11208 / SG 11218	91



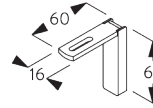
Square Smart Fix with slot SG 11216 - SG 11218 and SG 6141:
Screw SG 10492 (M4x8) needed.



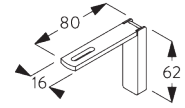
SG 6141
Clamping piece



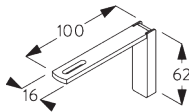
SG 10492
Pan head screw M4x8



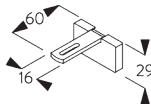
SG 11206
Smart Fix with slot 60 mm



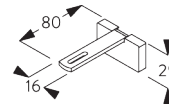
SG 11207
Smart Fix with slot 80 mm



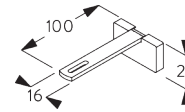
SG 11208
Smart Fix with slot 100 mm



SG 11216
Square Smart Fix with slot 60 mm

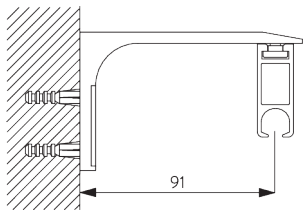


SG 11217
Square Smart Fix with slot 80 mm

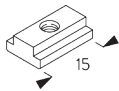


SG 11218
Square Smart Fix with slot 100 mm

Fillet Bracket SG 11669



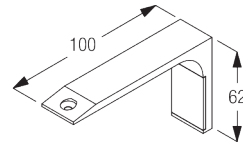
Screw SG 10492 (M4x8) needed.
Recommended for straight systems only.



SG 6141
Clamping piece



SG 10492
Pan head screw M4x8



SG 11669
Fillet bracket

DESIGN & SYSTEM OPTIONS

A. ENDCAPS



SG 11601

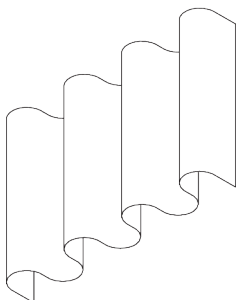


SG 11611

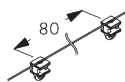
Please note:

- Poles are supplied as standard with flush fitting endcaps SG 11601 (left).
- Alternatively, stud endcaps SG 11611 (right) can be selected.

B. WAVE



SG 11295



SG 11302

Standard components:

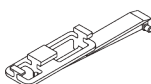
- SG 11295 End stop
- SG 11302 Wave 2C glider cord 80 mm



SG 2255



SG 2256



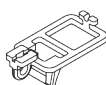
SG 6364



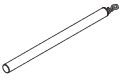
SG 6365

Optional components (min. Radius >25 cm):

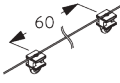
- SG 2255 Brake
- SG 2256 Brake
- SG 6364 Wave extension
- SG 6365 Wave hanger
- SG 6366 Wave carrier for draw rod
- SG 10430-34 Draw rod
- SG 11303 Wave 2C glider cord 60 mm



SG 6366



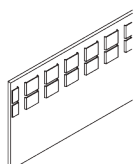
SG 10430-34



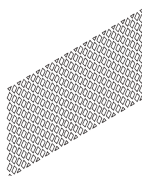
SG 11303



SG 3582



SG 6349



SG 6363

Curtain components:

- SG 3582 Hook
- SG 6349 Wave curtain tape
- SG 6363 Wave top hemming tape
- SG 10075 Lead weight 50 gr/m
- SG 10076 Fabric weigh

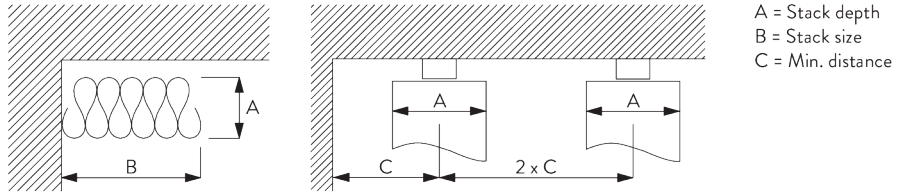


SG 10075



SG 10076

Wave stack depth - 2C glider cord (standard components)





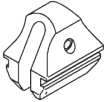

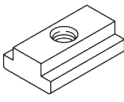

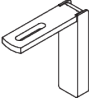

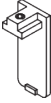
2C Glider cord SG 11302	Pockets between hooks	Approx. curtain fullness	Stack depth A	Stack size B*	Min distance C
80	6	~2.1	140	180 per metre of track	90
80	7	~2.3	160	180 per metre of track	100

2C Glider cord SG 11303	Pockets between hooks	Approx. curtain fullness	Stack depth A	Stack size B*	Min distance C
60	4	~2.1	100	230 per metre of track	70
60	5	~2.3	120	230 per metre of track	80

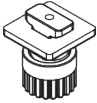
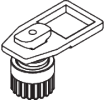

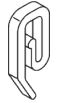


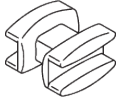


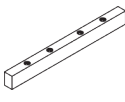
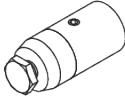



*Stack size B when using optional extension arm SG 6364 increases by 95 mm per curtain stack!

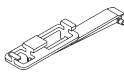
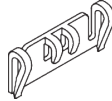
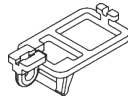
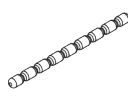
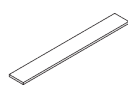
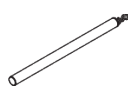
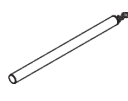
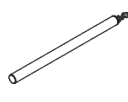
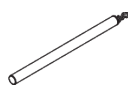
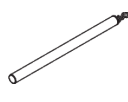
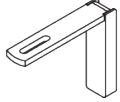
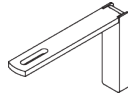
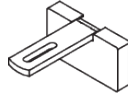
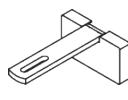
PARTS

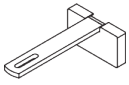
A. STANDARD PARTS

	SG 3599 Hook
	SG 6065 End stop
	SG 6086 Spring stop
	SG 6101 Profile
	SG 6141 Clamping piece
	SG 10492 Pan head screw M4x8
	SG 11206 Smart Fix with slot 60 mm
	SG 11300 2C glider
	SG 11601 Flush end cap 36 mm

B. OPTIONAL PARTS

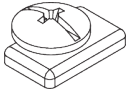
	SG 2255 Brake
	SG 2256 Brake
	SG 3012 Hook
	SG 3582 Hook
	SG 6053 Spring stop
	SG 6057 Glider
	SG 6082 Glider
	SG 6094 Roller
	SG 6098 Roller
	SG 6112 Connection bridge
	SG 6175 Mini hanger
	SG 6283 Roller
	SG 6349 Wave curtain tape
	SG 6363 Wave top hemming tape

	SG 6364 Wave extension
	SG 6365 Wave hanger
	SG 6366 Wave carrier for draw rod
	SG 10075 Lead weight 50 g/m
	SG 10076 Fabric weight
	SG 10430 Draw rod 50 cm
	SG 10431 Draw rod 75 cm
	SG 10432 Draw rod 100 cm
	SG 10433 Draw rod 125 cm
	SG 10434 Draw rod 150 cm
	SG 11207 Smart Fix with slot 80 mm
	SG 11208 Smart Fix with slot 100 mm
	SG 11216 Square Smart Fix with slot 60 mm
	SG 11217 Square Smart Fix with slot 80 mm



SG 11218

Square Smart Fix with slot 100 mm



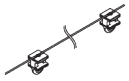
SG 11295

End stop



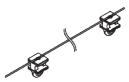
SG 11301

2C glider on strip



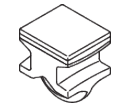
SG 11302

Wave 2C glider cord 80 mm



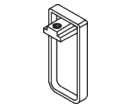
SG 11303

Wave 2C glider cord 60 mm



SG 11305

2C glider for direct sewing



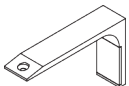
SG 11611

Stud endcap 36 mm



SG 11668

Top fix bracket



SG 11669

Fillet bracket
