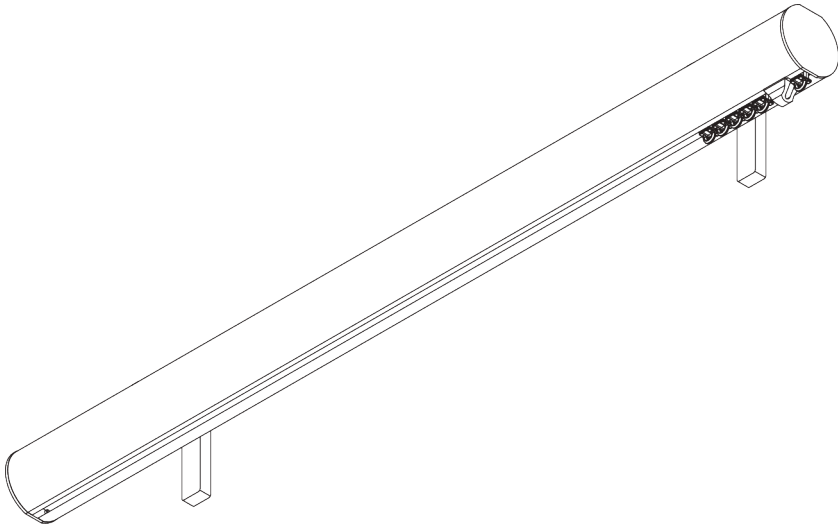
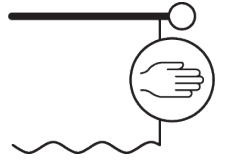


SG 7620



PRODUCT INFORMATION

- **Operation:** hand
- **Range:** M - L
- **Fitting:** ceiling, wall
- **Colours:** white RAL 9016, various colours / finishes
- **Fabrics:** refer to Silent Gliss fabric collection

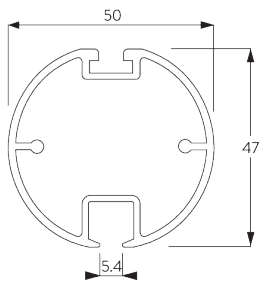
Features:

- 2-component (2C) glider technology
- Wave (2C)
- Matching endcaps and brackets / bracket covers
- Range of decorative finials
- Bendable

SYSTEM SPECIFICATIONS

A. PROFILE

Profile and bending information

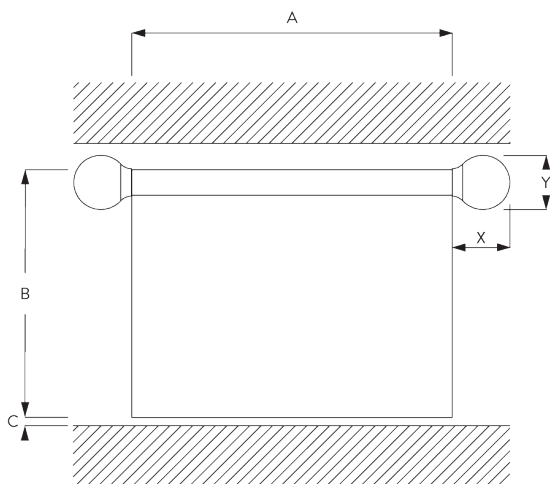


SG 11609

Profile


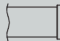


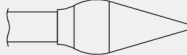


Radius:
>50 cm

B. HOW TO MEASURE



A: System width without finials
B: System height
C: Distance between floor and fabric
X: Finial width
Y: Finial height

Finial Measurements

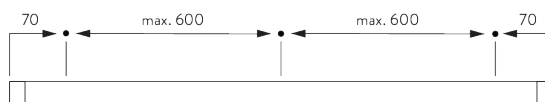
		50 mm	
		X	Y
	SG 11605	2	51
	SG 11651	10	56
	SG 11652	24	75
	SG 11776	90	85
	SG 11777	165	70
	SG 11778	32	130
	SG 11779	30	100

FITTING

A. FITTING INFORMATION

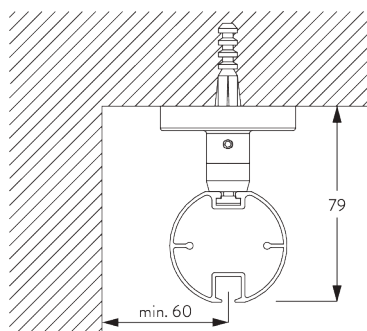
For detailed fitting information, visit the *Silent Gliss* website.

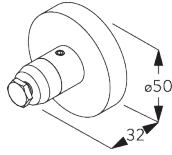
Fixing points



B. CEILING FITTING

Top fix bracket SG 11668

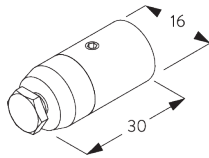
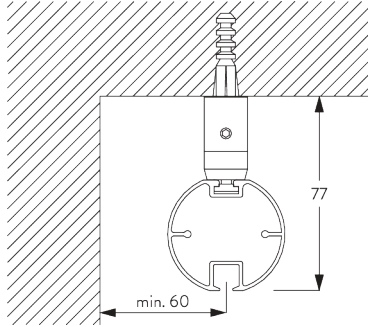




SG 11668

Top fix bracket

Mini hanger SG 6175

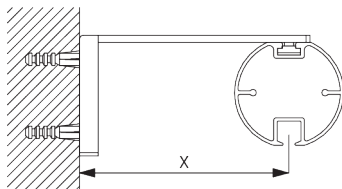


SG 6175

Mini hanger

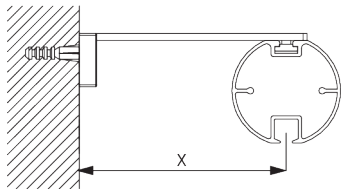
C. WALL FITTING

Smart Fix



Smart Fix with slot SG 11206 - SG 11208 and SG 6141:

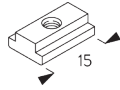
Screw SG 10492 (M4x8) needed.



Square Smart Fix with slot SG 11216 - SG 11218 and SG 6141:

Screw SG 10492 (M4x8) needed.

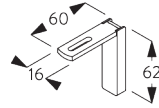
Smart Fix	X mm
SG 11206 / SG 11216	51
SG 11207 / SG 11217	71
SG 11208 / SG 11218	91



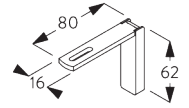
SG 6141
Clamping piece



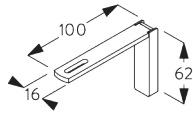
SG 10492
Pan head screw M4x8



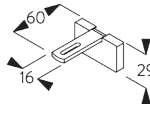
SG 11206
Smart Fix with slot 60 mm



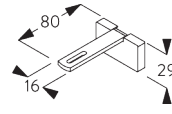
SG 11207
Smart Fix with slot 80 mm



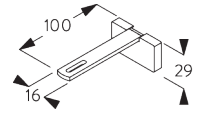
SG 11208
Smart Fix with slot 100 mm



SG 11216
Square Smart Fix with slot 60 mm

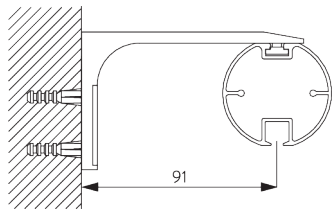


SG 11217
Square Smart Fix with slot 80 mm

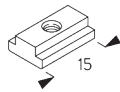


SG 11218
Square Smart Fix with slot 100 mm

Fillet Bracket SG 11669



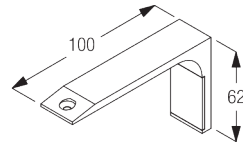
Screw SG 10492 (M4x8) needed.
Recommended for straight systems only.



SG 6141
Clamping piece



SG 10492
Pan head screw M4x8



SG 11669
Fillet bracket

DESIGN & SYSTEM OPTIONS

A. ENDCAPS



SG 11605



SG 11651



SG 11652

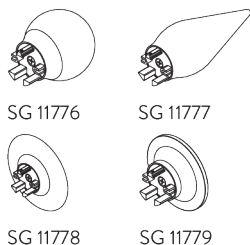
Endcaps:

- SG 11605 Flush endcap 50 mm
- SG 11651 Stud endcap 50 mm
- SG 11652 Design endcap 50 mm

Please note:

- Without finials, poles are supplied as standard with flush fitting endcaps SG 11605 (left).
- Alternatively, stud endcaps SG 11651 can be selected.

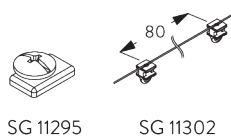
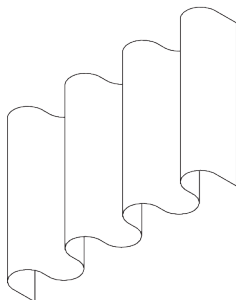
B. FINIALS



Finials are decorative elements that fit on at the end of the pole:

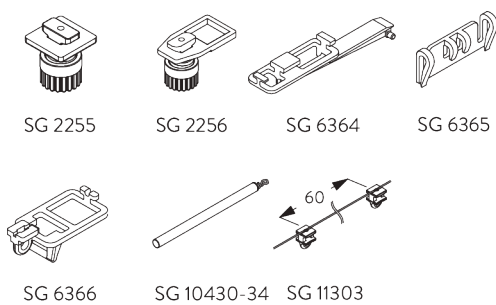
- SG 11776 Ball end 50 mm
- SG 11777 Spear 50 mm
- SG 11778 Ellipse 50 mm
- SG 11779 Taper 50 mm

C. WAVE



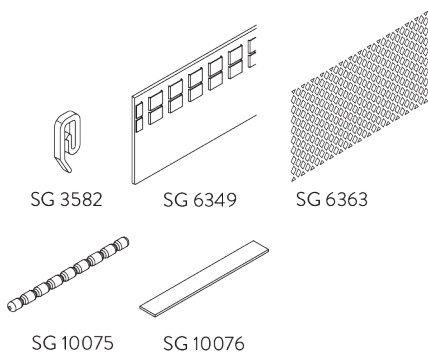
Standard components:

- SG 11295 End stop
- SG 11302 Wave 2C glider cord 80 mm



Optional components:

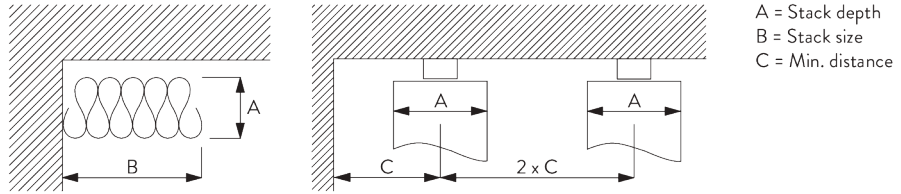
- SG 2255 Brake
- SG 2256 Brake
- SG 6364 Wave extension
- SG 6365 Wave hanger
- SG 6366 Wave carrier for draw rod
- SG 10430-34 Draw rod
- SG 11303 Wave 2C glider cord 60 mm



Curtain components:

- SG 3582 Hook
- SG 6349 Wave curtain tape
- SG 6363 Wave top hemming tape
- SG 10075 Lead weight 50 gr/m
- SG 10076 Fabric weigh

Wave stack depth - 2C glider cord (standard components)





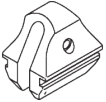
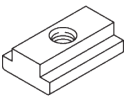

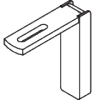
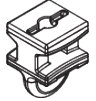

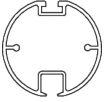
2C Glider cord SG 11302	Pockets between hooks	Approx. curtain fullness	Stack depth A	Stack size B*	Min distance C
80	6	~2.1	140	180 per metre of track	90
80	7	~2.3	160	180 per metre of track	100

2C Glider cord SG 11303	Pockets between hooks	Approx. curtain fullness	Stack depth A	Stack size B*	Min distance C
60	4	~2.1	100	230 per metre of track	70
60	5	~2.3	120	230 per metre of track	80

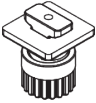
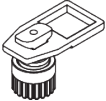



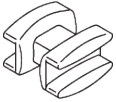


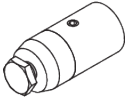



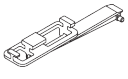
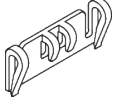
*Stack size B when using optional extension arm SG 6364
increases by 95 mm per curtain stack!

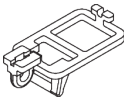
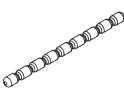
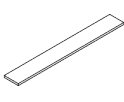
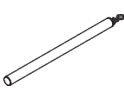
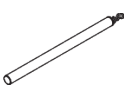
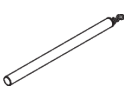
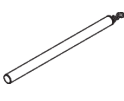
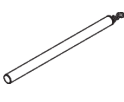
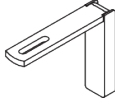
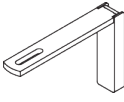
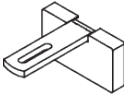
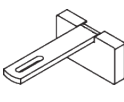
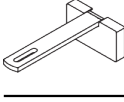
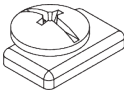
PARTS

A. STANDARD PARTS

	SG 3599 Hook
	SG 6065 End stop
	SG 6086 Spring stop
	SG 6141 Clamping piece
	SG 10492 Pan head screw M4x8
	SG 11206 Smart Fix with slot 60 mm
	SG 11300 2C glider
	SG 11605 Flush end cap 50 mm
	SG 11609 Profile

B. OPTIONAL PARTS

	SG 2255 Brake
	SG 2256 Brake
	SG 3012 Hook
	SG 3582 Hook
	SG 6057 Glider
	SG 6082 Glider
	SG 6094 Roller
	SG 6098 Roller
	SG 6175 Mini hanger
	SG 6283 Roller
	SG 6349 Wave curtain tape
	SG 6363 Wave top hemming tape
	SG 6364 Wave extension
	SG 6365 Wave hanger

	SG 6366 Wave carrier for draw rod
	SG 10075 Lead weight 50 g/m
	SG 10076 Fabric weight
	SG 10430 Draw rod 50 cm
	SG 10431 Draw rod 75 cm
	SG 10432 Draw rod 100 cm
	SG 10433 Draw rod 125 cm
	SG 10434 Draw rod 150 cm
	SG 11207 Smart Fix with slot 80 mm
	SG 11208 Smart Fix with slot 100 mm
	SG 11216 Square Smart Fix with slot 60 mm
	SG 11217 Square Smart Fix with slot 80 mm
	SG 11218 Square Smart Fix with slot 100 mm
	SG 11295 End stop



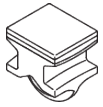
SG 11301
2C glider on strip



SG 11302
Wave 2C glider cord 80 mm



SG 11303
Wave 2C glider cord 60 mm



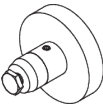
SG 11305
2C glider for direct sewing



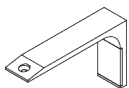
SG 11651
Stud endcap 50 mm



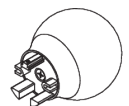
SG 11652
Design endcap 50 mm



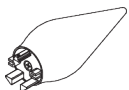
SG 11668
Top fix bracket



SG 11669
Fillet bracket



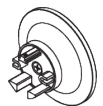
SG 11776
Ball end 50 mm



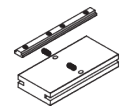
SG 11777
Spear 50 mm



SG 11778
Ellipse 50 mm



SG 11779
Taper 50 mm



SG 11783
Connection bridge

