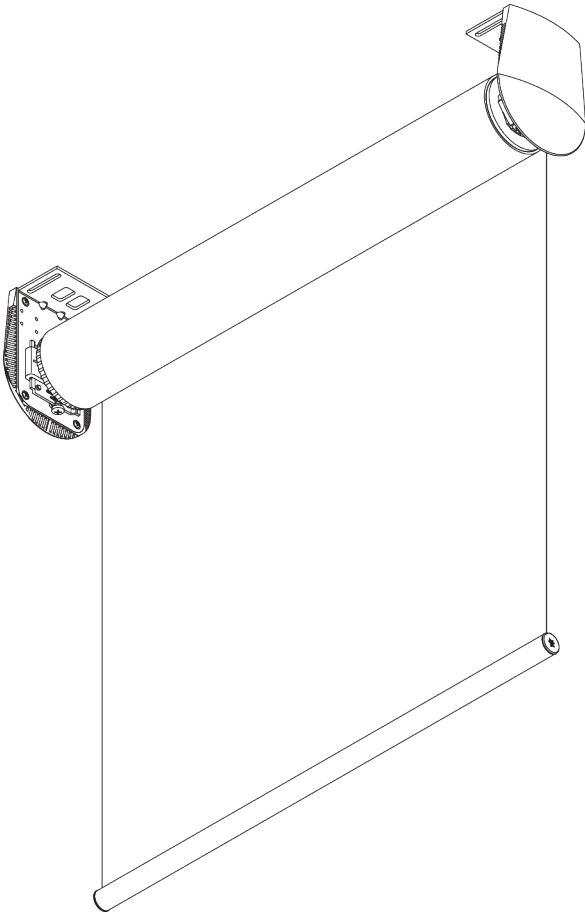


# SG 4880

---



## PRODUCT INFORMATION

- **Operation:** motorised
- **Range:** L
- **Fitting:** ceiling, wall, recess
- **Colours:** white RAL 9016 or anodised aluminum, special colours possible
- **Fabrics:** refer to Silent Gliss fabric collection

### **Features:**

- Quiet and fast motors
- Soft stop
- Various control options
- Stainless steel brackets, adjustable for vertical alignment of fabric

# SYSTEM SPECIFICATIONS

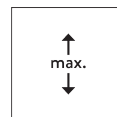
## A. SYSTEM DIMENSIONS



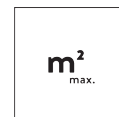
Tube SG 4901: 4 m  
Tube SG 4957: 5 m



72 cm\*  
\*see motor specification table



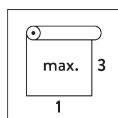
Tube SG 4901: 12 m  
Tube SG 4957: 9 m



36 m<sup>2</sup>



23 kg



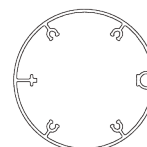
Recommended width /  
height ratio  
max. 1:3

## Maximum surface area

B ↓	A →							
	2 m	2.5 m	3 m	3.5 m	4 m	4.5 m	5 m	
2 m	●	●	●	●	○	○	○	
2.5 m	●	●	●	●	○	○	○	
3 m	●	●	●	●	○	○	○	
3.5 m	●	●	●	●	○	○	○	
4 m	●	●	●	●	○	○	○	
4.5 m	●	●	●	●	○	○	○	
5 m	●	●	●	●	○	○	○	
5.5 m	●	●	●	●	○	○	○	
6 m	●	●	●	●	○	○	○	
6.5 m	●	●	●	●	○	○	○	
7 m	●	●	●	●	○	○	○	
7.5 m	●	●	●	●	○	○		
8 m	●	●	●	●	○	○		
8.5 m	●	●	●	●	○			
9 m	●	●	●	●	○			
9.5 m	●	●	●	●				
10 m	●	●	●	●				
10.5 m	●	●	●					
11 m	●	●	●					
11.5 m	●	●	●	max. 36 m <sup>2</sup>				
12 m	●	●	●					



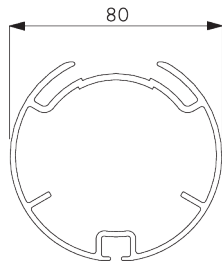
● SG 4901 (ø 80 mm)



○ SG 4957 (ø 110 mm)

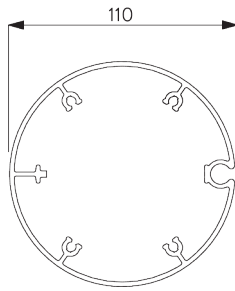
## B. PROFILE

### Profile information



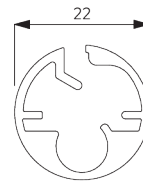
**SG 4901**

Tube ø 80 mm



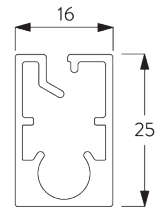
**SG 4957**

Tube ø 110 mm



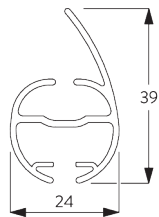
**SG 10760**

Bottom bar



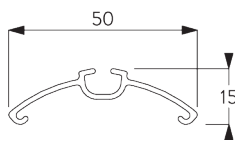
**SG 10770**

Bottom bar



**SG 4903**

Bottom bar

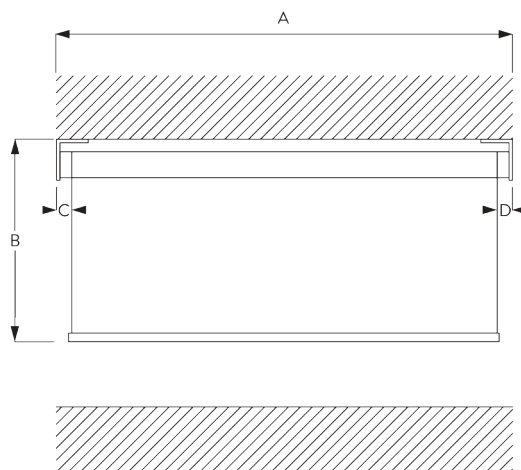


**SG 4902**

Profile

## C. HOW TO MEASURE

incl. bracket covers  
(15 mm)



A: System width  
B: System height

Tube SG 4901 (ø 80 mm):  
C: Light gap: 44 mm  
D: Light gap operation side: 50 mm

Tube SG 4957 (ø 110 mm):  
C: Light gap: 42 mm  
D: Light gap operation side: 52 mm

Note:  
Different light gaps see motor specifications.  
All measurements include 15 mm for bracket cover per side!

# FITTING

## A. FITTING INFORMATION

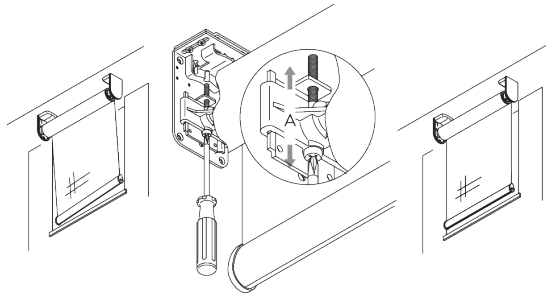
For detailed fitting information, visit the Silent Gliss website.

### Fixing points



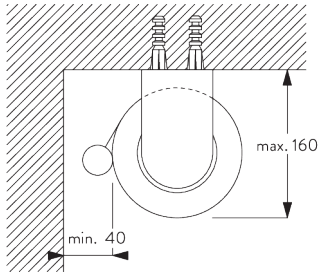
\*30 mm without cover  
\*43 mm with cover

**Adjustable brackets  
(for vertical  
adjustments)**

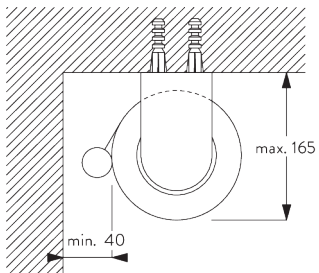


Vertical adjustment of fabric to the window frame.

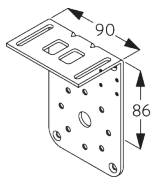
**B. CEILING FITTING**



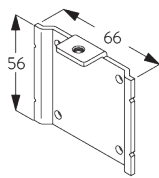
Tube SG 4901 (ø 80 mm)



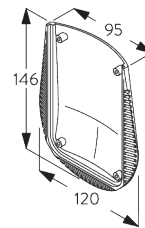
Tube SG 4957 (ø 110 mm)



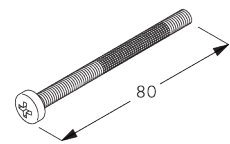
**SG 4904**  
Bracket (set SG 4949)



**SG 4906**  
Plate (set SG 4949)

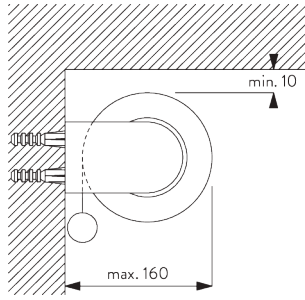


**SG 4956**  
Bracket cover

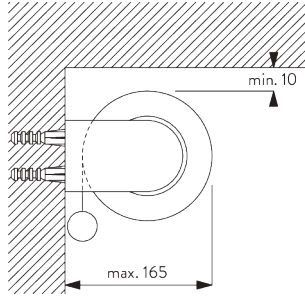


**SG 4966**  
Special screw (set SG 4949)

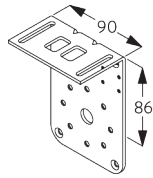
**C. WALL FITTING**



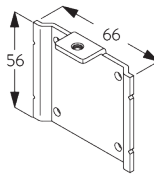
Tube SG 4901 (ø 80 mm)



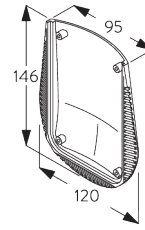
Tube SG 4957 (ø 110 mm)



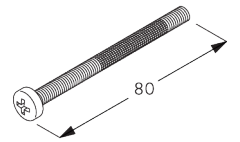
**SG 4904**  
Bracket (set SG 4949)



**SG 4906**  
Plate (set SG 4949)

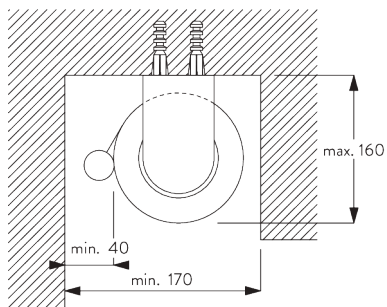


**SG 4956**  
Bracket cover

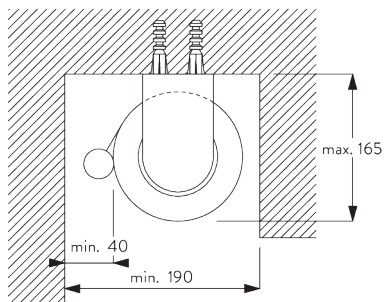


**SG 4966**  
Special screw (set SG 4949)

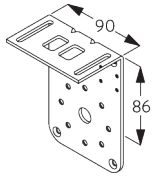
**D. RECESS FITTING**



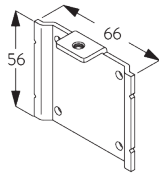
Tube SG 4901 (ø 80 mm)



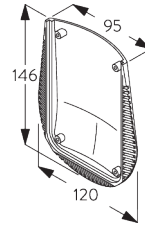
Tube SG 4957 (ø 110 mm)



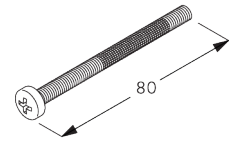
**SG 4904**  
Bracket (set SG 4949)



**SG 4906**  
Plate (set SG 4949)

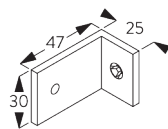
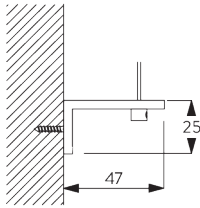


**SG 4956**  
Bracket cover

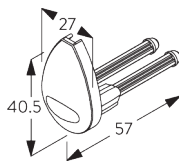


**SG 4966**  
Special screw (set SG 4949)

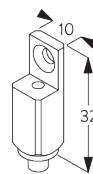
**E. FITTING WITH  
SIDE GUIDE  
OPTION**



**SG 3036**  
Bracket 47 mm



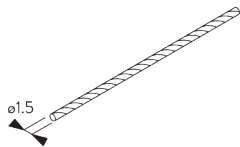
**SG 4944**  
Side guide end cover



**SG 4946**  
Side guide wire rope fastener



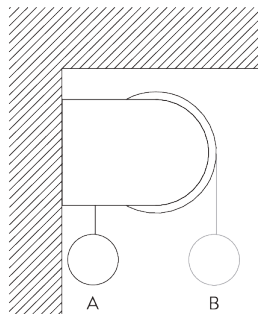
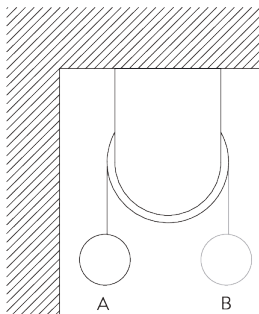
**SG 4947**  
Side guide wire rope fastener



**SG 4948**  
Side guide wire  $\varnothing$  1.5 mm

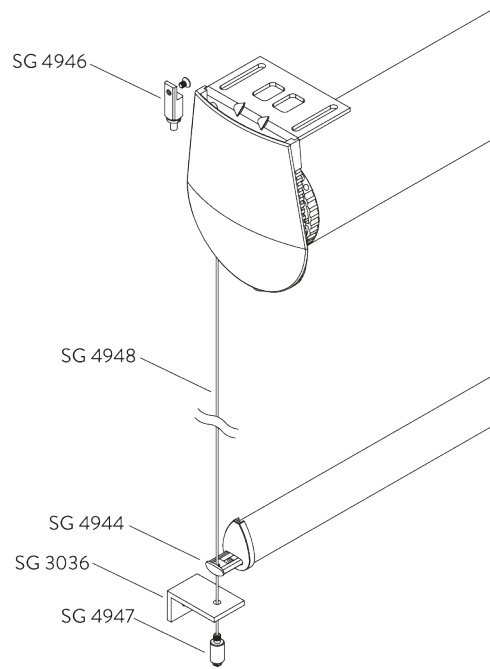
# SYSTEM OPTIONS

**A. FABRIC ROLL-OFF**



A: Fabric roll-off window side (standard)  
B: Fabric roll-off room side (option)

## **B. SIDE GUIDES**



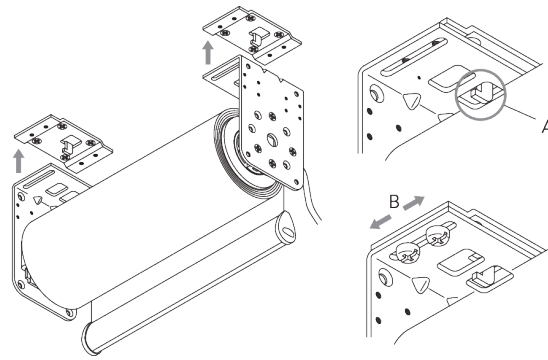
*Additional parts:*

- 2x SG 3036 Bracket 47 mm
- 2x SG 4944 Side guide end cover
- 2x SG 4946 Side guide wire rope fastener
- 2x SG 4947 Side guide wire rope fastener
- 2x SG 4948 Side guide wire  $\varnothing$  1.5 mm

*Note:*

- Light gaps increase when side-guide option is used
- Up to 15° from vertical

## **C. HOOK-IN INSTALLATION PLATES**



*A: Hook-in plates SG 4972 take the weight of the blind*  
*B: Brackets sideways adjustable by up to 18 mm.*

# MOTORS & CONTROLS

## A. MOTOR FEATURES

Motors	50-Series	20-Series	20-Series
	SG 11255	SG 10327	SG 10326

### Motor Features

Soft stop	●	●	●
Electronic end-stop	●	●	●
Electronic revolution counter (unlimited revolution)	●	●	●
Two intermediate positions possible		●	
Bottom bar alignment	●		
Noiseless stop		●	●
Parallel wiring possible without additional relays		●	●
Disconnectable motor cable	●	●	●
IP class	IP 30	IP 44	IP 44

### Control Features

Mains power control			●
SG Control L (built-in receiver)		●	
Smart by Silent Gliss	●		
Suitable for most major home automation systems (with suitable interface)		●	●

## B. MOTOR SPECIFICATIONS

See website for wiring diagram.

### Tube SG 4901

Motors	Light gaps C / D = driving side	Min. system width	Voltage	Current	Frequency	Speed	Frequency receiver
--------	------------------------------------	----------------------	---------	---------	-----------	-------	-----------------------

#### 50-Series (Smart by Silent Gliss)

SG 11255	C: 44 mm / D: 51 mm	74 cm	24 V DC	2.95 A	-	20 rpm	-
----------	---------------------	-------	---------	--------	---	--------	---

#### 20-Series

SG 10326 (standard)	C: 44 mm / D: 50 mm	72 cm	230 V AC	0.9 A	50 Hz	23 rpm	-
SG 10327	C: 44 mm / D: 50 mm	72 cm	230 V AC	0.9 A	50 Hz	23 rpm	868/915 MHz

See website for wiring diagram.

### Tube SG 4957

Motors	Light gaps C / D = driving side	Min. system width	Voltage	Current	Frequency	Speed	Frequency receiver
--------	------------------------------------	----------------------	---------	---------	-----------	-------	-----------------------

#### 50-Series (Smart by Silent Gliss)

SG 11255	C: 42 mm / D: 54 mm	74 cm	24 V DC	2.95 A	-	20 rpm	-
----------	---------------------	-------	---------	--------	---	--------	---

#### 20-Series

SG 10326 (standard)	C: 42 mm / D: 52 mm	73 cm	230 V AC	0.9 A	50 Hz	23 rpm	-
SG 10327	C: 42 mm / D: 52 mm	73 cm	230 V AC	0.9 A	50 Hz	23 rpm	868/915 MHz

## C. OPERATING METHODS

See catalogue "controls" for details.



Wall Switch



System can be operated by fixed wall switch.

SG Control L



Various radio hand-held and wall transmitters available.



Silent Gliss Move App.

Smart by Silent Gliss



Open designed two-way communication system which allows to flawlessly integrate products with most major building management systems.


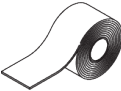


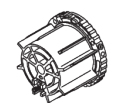
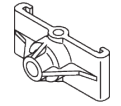

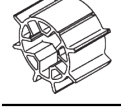
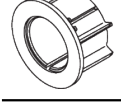
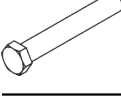
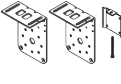

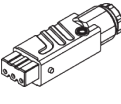
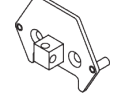
**D. WIRING**  
**DIAGRAMS**

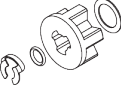

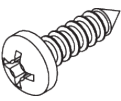
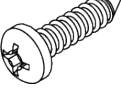
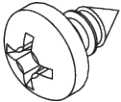
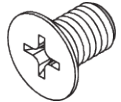




Refer to Silent Gliss website.

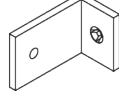

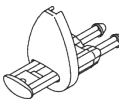
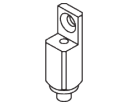


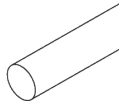
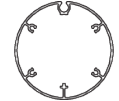
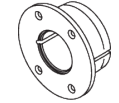
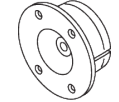

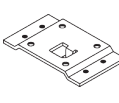
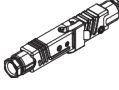
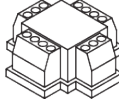
# PARTS

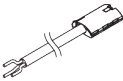
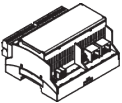

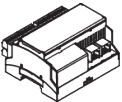

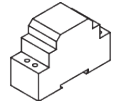

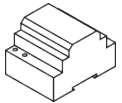

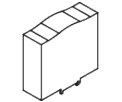
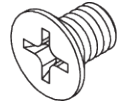
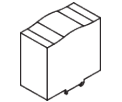
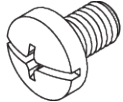
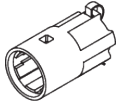
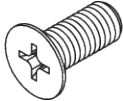

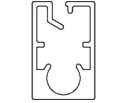





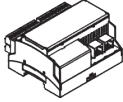
## A. STANDARD PARTS

	<b>SG 4223</b> PVC strip 14 mm
	<b>SG 4226</b> Double tape 30 mm
	<b>SG 4901</b> Tube ø 80 mm
	<b>SG 4902</b> Profile
	<b>SG 4914</b> Tube adapter
	<b>SG 4915</b> Support
	<b>SG 4926</b> Motor flange
	<b>SG 4927</b> Motor drive
	<b>SG 4928</b> Tube adapter
	<b>SG 4939</b> Shaft
	<b>SG 4949</b> Bracket set
	<b>SG 4956</b> Bracket cover
	<b>SG 9917</b> Hirschmann portable socket-outlet STAK 3 N
	<b>SG 10285</b> Motor plate M

	<b>SG 10292</b> Motor drive set
	<b>SG 10326</b> Tubular motor 230V AC, 20 Series M 12/23
	<b>SG 10503</b> Pan head screw 3.5x13
	<b>SG 10506</b> Pan head screw 3.9x16
	<b>SG 10507</b> Pan head screw 3.5x6.5
	<b>SG 10509</b> Countersunk head screw M5x8
	<b>SG 10760</b> Bottom bar
	<b>SG 10761</b> End cover

## B. OPTIONAL PARTS

	<b>SG 3036</b> Bracket 47 mm
	<b>SG 4903</b> Bottom bar
	<b>SG 4944</b> Side guide end cover
	<b>SG 4946</b> Side guide wire rope fastener
	<b>SG 4947</b> Side guide wire rope fastener
	<b>SG 4948</b> Side guide wire ø 1.5 mm
	<b>SG 4951</b> Bottom weight ø 8 mm
	<b>SG 4957</b> Tube ø 110 mm
	<b>SG 4959</b> Tube adapter
	<b>SG 4961</b> Tube adapter
	<b>SG 4962</b> Motor drive
	<b>SG 4972</b> Installation plate
	<b>SG 9916</b> Hirschmann plug set
	<b>SG 9959</b> Central control unit relay

	<b>SG 10293</b> Cable 230V AC, 2/3/5/10 m		<b>SG 11261</b> Gateway KNX
	<b>SG 10300</b> Radio hand held 1 channel		<b>SG 11262</b> Expansion unit
	<b>SG 10302</b> Radio hand held 5+1 channel		<b>SG 11263</b> Power supply 24V DC, 2.5A DIN Rail
	<b>SG 10303</b> Radio hand held 10+2+1 channel		<b>SG 11264</b> Power supply 24V DC, 3.8A DIN Rail
	<b>SG 10327</b> Tubular motor 230V AC, 20 Series M 12/23, radio receiver		<b>SG 11265</b> Power supply 24V DC, 5A DIN Rail
	<b>SG 10502</b> Countersunk head screw M4x6		<b>SG 11266</b> Power supply 24V DC, 10A DIN Rail
	<b>SG 10504</b> Pan head screw Freedrive M5x8		<b>SG 11321</b> Motor drive
	<b>SG 10508</b> Countersunk head screw M5x12		<b>SG 11480</b> Radio wall transmitter 1 channel
	<b>SG 10770</b> Bottom bar		<b>SG 11490</b> Radio wall transmitter 5+1 channel
	<b>SG 10771</b> End cover		
	<b>SG 10804</b> Radio hand held 15+5+1 channel		
	<b>SG 11178</b> End cover		
	<b>SG 11255</b> Motor 24V DC, 50-Series M 10/20		
	<b>SG 11260</b> Gateway Cedia		

