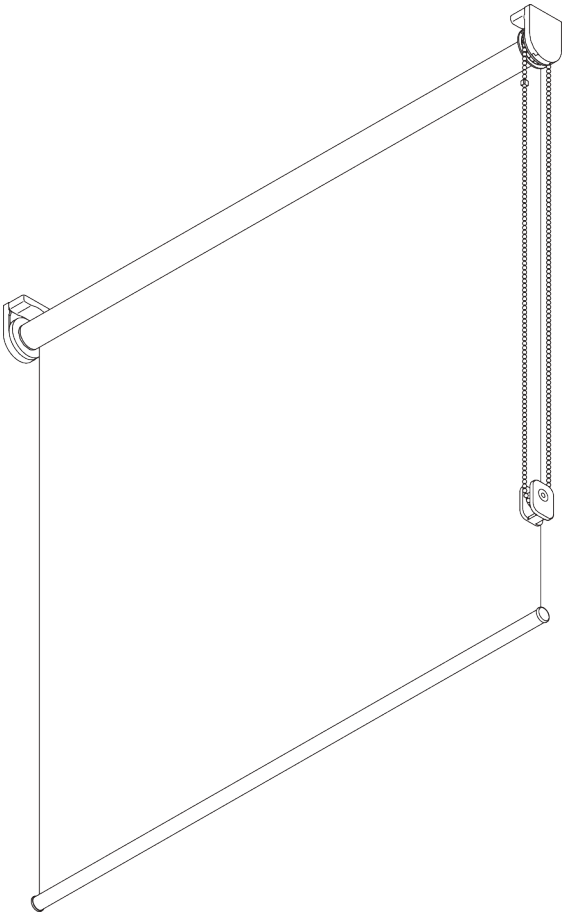


SG 4905



PRODUCT INFORMATION

- **Operation:** chain
- **Range:** S
- **Fitting:** ceiling, wall, recess
- **Colours:** 20 colours plus silver
- **Fabrics:** refer to Silent Gliss fabric collection

Features:

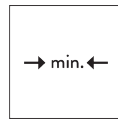
- Stainless steel bead chain
- Click-in brackets

SYSTEM SPECIFICATIONS

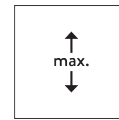
A. SYSTEM DIMENSIONS



1.6 m



25 cm



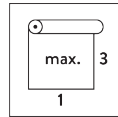
3 m



4.8 m²



1.3 kg



Recommended width /
height ratio
max. 1:3

Maximum system drop

Wall fitting (system drop on window side)

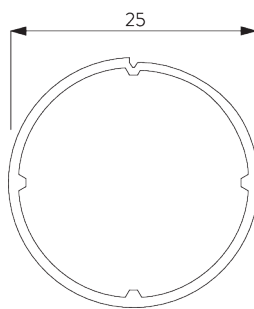
Fabric thickness	mm	0.15	0.20	0.25	0.30	0.35	0.40	0.45	0.50	0.55
Max. system drop	cm	300	300	300	300	290	260	240	210	190

Ceiling fitting / wall fitting (system drop on room side)

Fabric thickness	mm	0.15	0.20	0.25	0.30	0.35	0.40	0.45	0.50	0.55
Max. system drop	cm	300	300	300	300	300	300	290	260	240

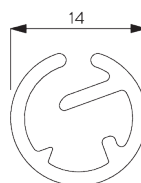
B. PROFILE

Profile information



SG 10533

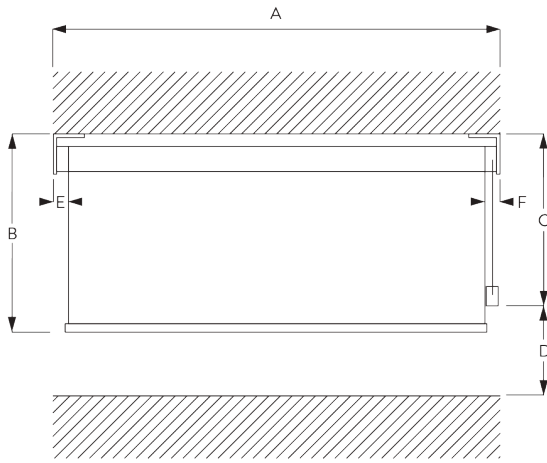
Tube ø 25 mm



SG 10687

Bottom bar

**C. HOW TO
MEASURE**



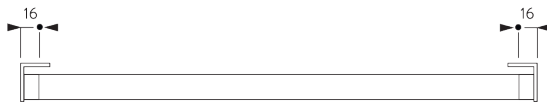
- A: System width
- B: System height
- C: Chain height
- D: Safety Retainer SG 10731 min. 150 cm above floor
- E: Light gap: 16 mm
- F: Light gap operation side: 21 mm

FITTING

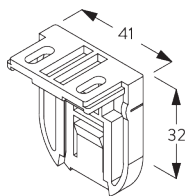
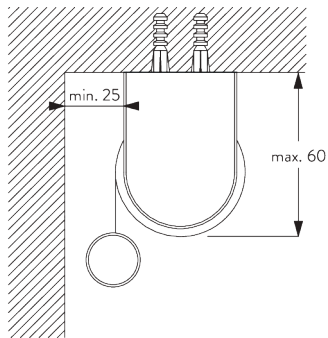
**A. FITTING
INFORMATION**

For detailed fitting information, visit the Silent Gliss website, login section.

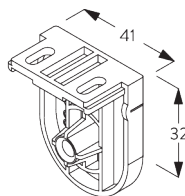
Fixing points



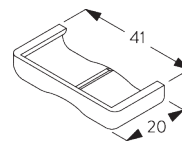
B. CEILING FITTING



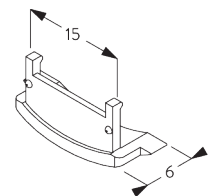
SG 10679
Bracket



SG 10680
Bracket

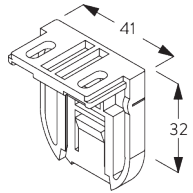
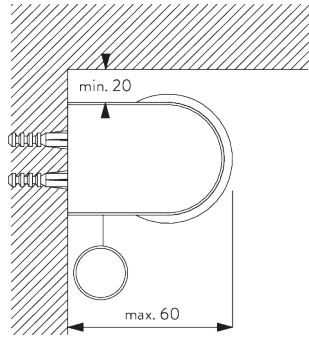


SG 10683
Bracket cover

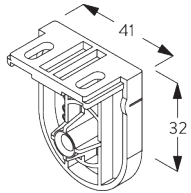


SG 10684
Cover

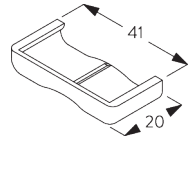
C. WALL FITTING



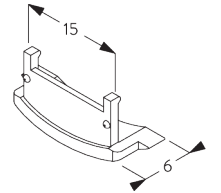
SG 10679
Bracket



SG 10680
Bracket

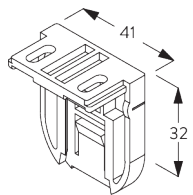
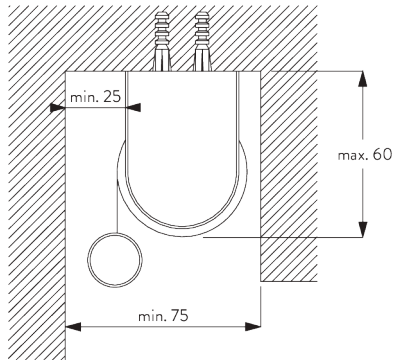


SG 10683
Bracket cover

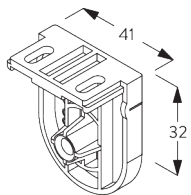


SG 10684
Cover

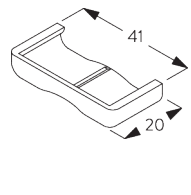
D. RECESS FITTING



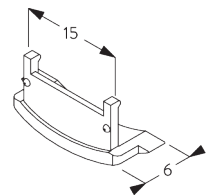
SG 10679
Bracket



SG 10680
Bracket

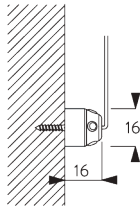
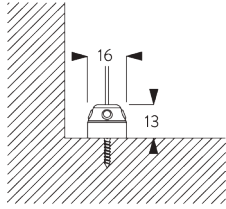


SG 10683
Bracket cover

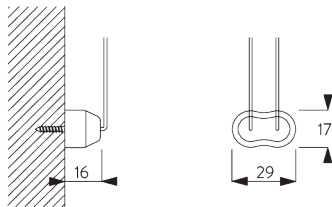
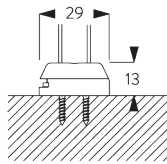


SG 10684
Cover

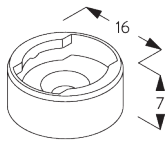
**E. FITTING WITH
SIDE GUIDE
OPTION**



Single system

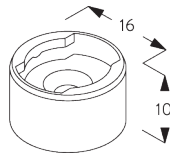


Double system (side-by-side installation)



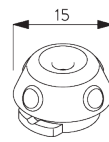
SG 8235

Side guide wire base short



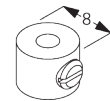
SG 8236

Side guide wire base long



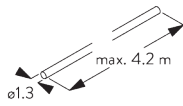
SG 8237

Side guide wire holder



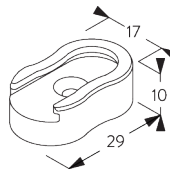
SG 8249

Side guide device



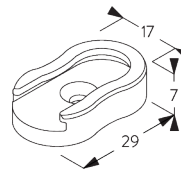
SG 10643

Side guide wire ø 1.3 mm x 4.2 m



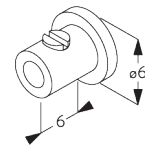
SG 10669

Side guide double base long



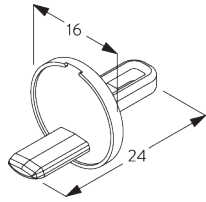
SG 10673

Side guide double base short

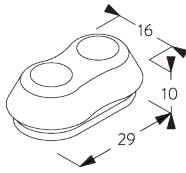


SG 10676

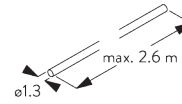
Device



SG 10686
Side guide end cover



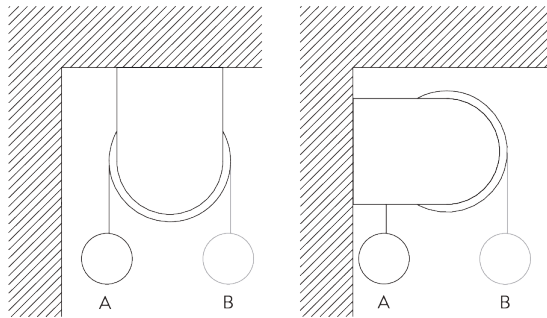
SG 10701
Side guide double wire holder



SG 10706
Side guide wire \varnothing 1.3 mm x 2.6 m

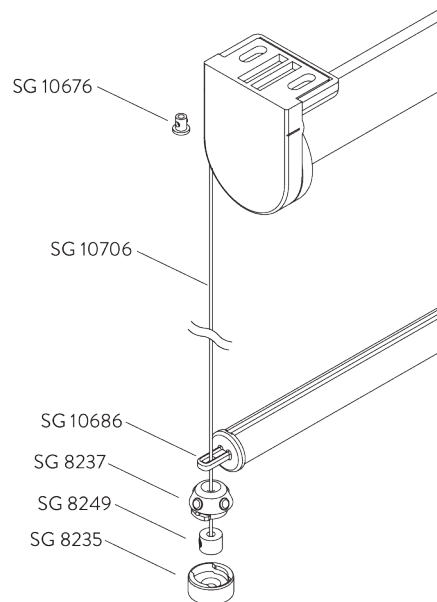
SYSTEM OPTIONS

A. FABRIC ROLL-OFF



A: Fabric roll-off window side (standard)
B: Fabric roll-off room side (option)

B. SIDE GUIDES



Additional parts:

- 2x SG 8235 Side guide wire base short
- 2x SG 8237 Side guide wire holder
- 2x SG 8249 Side guide device
- 2x SG 10676 Device
- 2x SG 10686 Side guide end cover
- 2x SG 10706 Side guide wire \varnothing 1.3 mm x 2.6 m

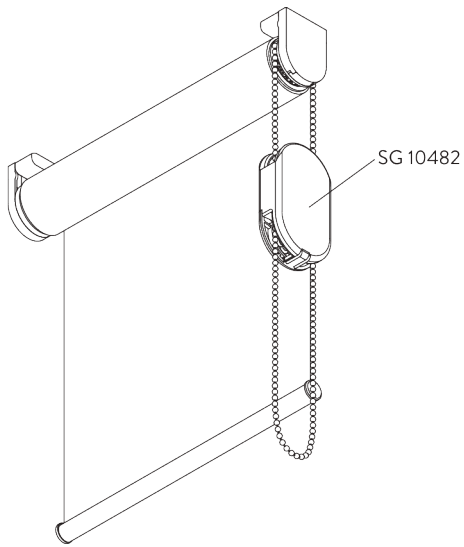
Optional parts:

- 2x SG 8236 Side guide wire base long
- 2x SG 10643 Side guide wire \varnothing 1.3 mm x 4.2 m
- 1x SG 10669 Side guide double base long
- 1x SG 10673 Side guide double base short
- 1x SG 10701 Side guide double wire holder

Note:

- Light gaps increase when side-guide option is used
- Up to 15° from vertical

**C. CHILD SAFETY
DEVICE**

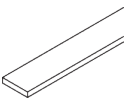

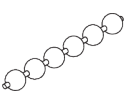

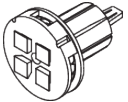
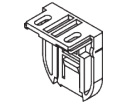
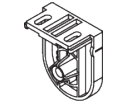

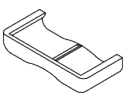
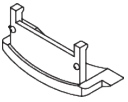


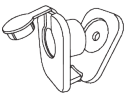


The child safety device SG 10482 releases the chain should the pulling force exceed 6 kg.



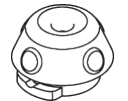
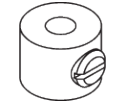
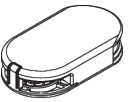
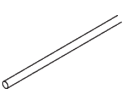





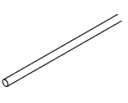
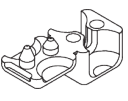
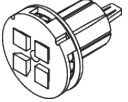
*Note:
System to be installed so chain loop of child safety device ends at least 60 cm above floor.*

PARTS

A. STANDARD PARTS

	SG 4187 PVC strip 8 mm
	SG 4226 Double tape 30 mm
	SG 10530 Bead chain metal ø 4 mm
	SG 10533 Tube ø 25 mm
	SG 10670 Chain drive, up to 1.3 kg fabric weight
	SG 10679 Bracket
	SG 10680 Bracket
	SG 10681 Tube adapter
	SG 10683 Bracket cover
	SG 10684 Cover
	SG 10685 End cover
	SG 10687 Bottom bar
	SG 10731 Child safety retainer set

B. OPTIONAL PARTS

	SG 8235 Side guide wire base short
	SG 8236 Side guide wire base long
	SG 8237 Side guide wire holder
	SG 8249 Side guide device
	SG 10482 Child safety device set metal chain ø 4.0 mm
	SG 10643 Side guide wire ø 1.3 mm x 4.2 m
	SG 10669 Side guide double base long
	SG 10673 Side guide double base short
	SG 10676 Device
	SG 10686 Side guide end cover
	SG 10701 Side guide double wire holder
	SG 10706 Side guide wire ø 1.3 mm x 2.6 m
	SG 10709 Chain stop for ø 4 mm chain
	SG 10710 Chain drive, up to 0.5 kg fabric weight