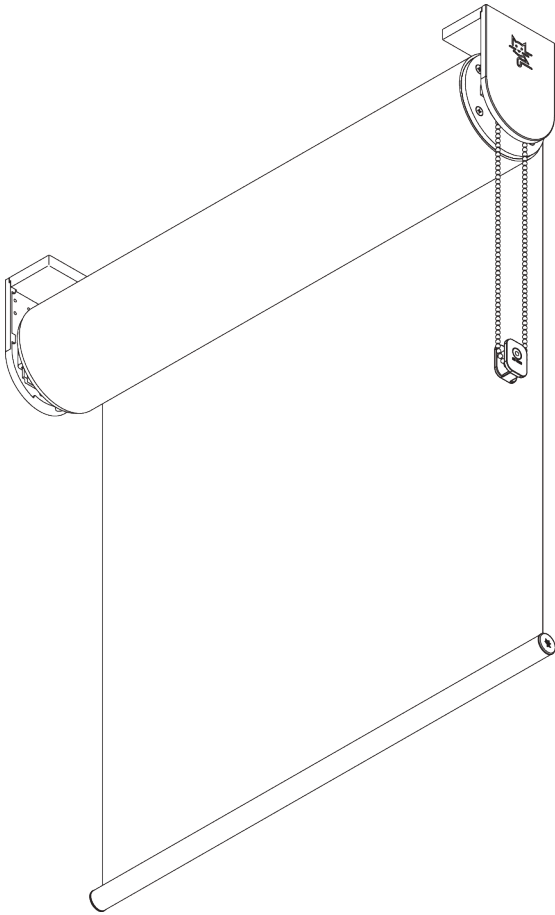


# SG 4945

---



## PRODUCT INFORMATION

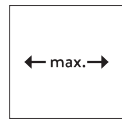
- **Operation:** chain
- **Range:** L
- **Fitting:** ceiling, wall, recess
- **Colours:** white RAL 9016, grey RAL 7035, black RAL 9005; special colours possible
- **Fabrics:** refer to Silent Gliss fabric collection

### **Features:**

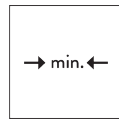
- Stainless steel bead chain
- Stainless steel brackets, adjustable for vertical alignment of fabric

# SYSTEM SPECIFICATIONS

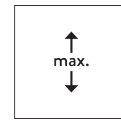
## A. SYSTEM DIMENSIONS



5 m



50 cm



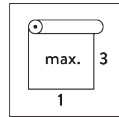
3.75 m



15 m<sup>2</sup>

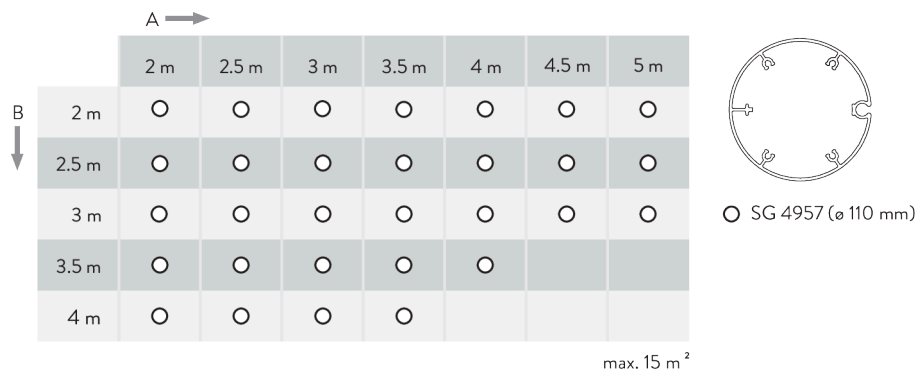


9.5 kg



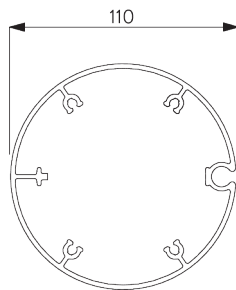
Recommended width /  
height ratio  
max. 1:3

## Maximum surface area

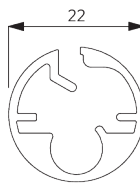


## B. PROFILE

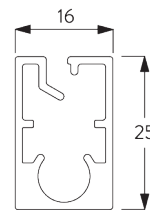
### Profile information



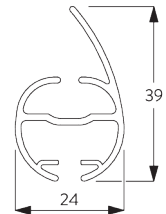
**SG 4957**  
Tube ø 110 mm



**SG 10760**  
Bottom bar



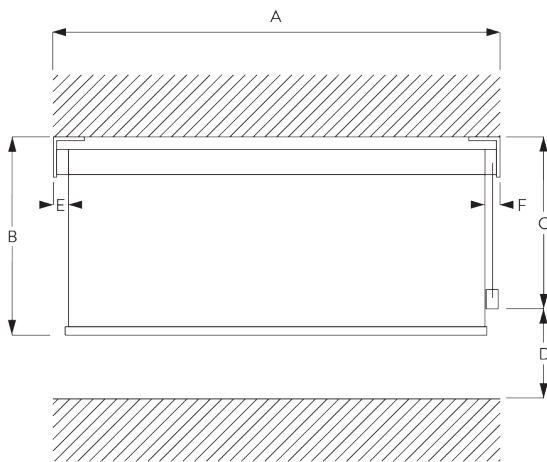
**SG 10770**  
Bottom bar



**SG 4903**  
Bottom bar

## C. HOW TO MEASURE

*incl. bracket covers*



- A: System width
- B: System height
- C: Chain height
- D: Safety Retainer SG 10731 min. 150 cm above floor
- E: Light gap: 31 mm
- F: Light gap operation side: 28 mm

Note:  
All measurements include 3 mm for bracket cover per side!

# FITTING

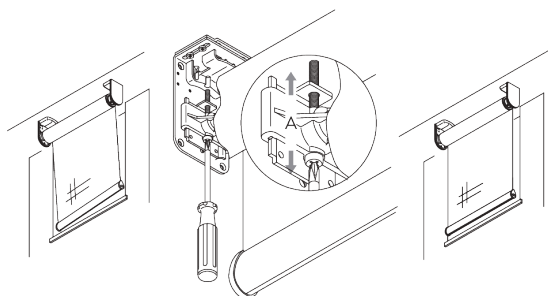
## A. FITTING INFORMATION

For detailed fitting information, visit the [Silent Gliss website](#).

### Fixing points

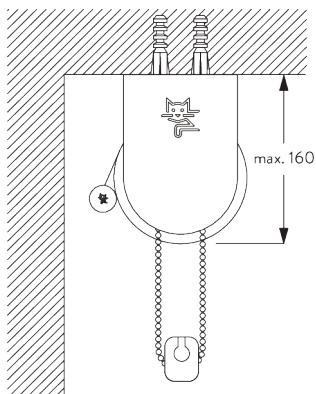


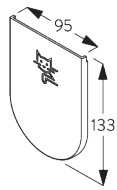
### Adjustable brackets (for vertical adjustments)



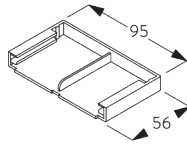
Vertical adjustment of fabric to the window frame.

## B. CEILING FITTING

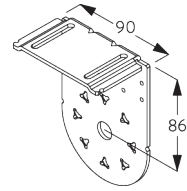




**SG 4984**  
End cover

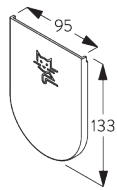
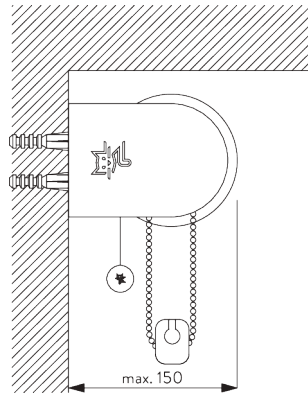


**SG 4986**  
End cover

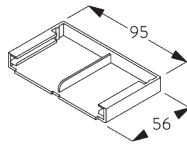


**SG 4988**  
Bracket

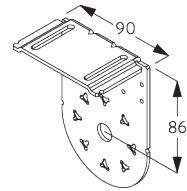
### C. WALL FITTING



**SG 4984**  
End cover

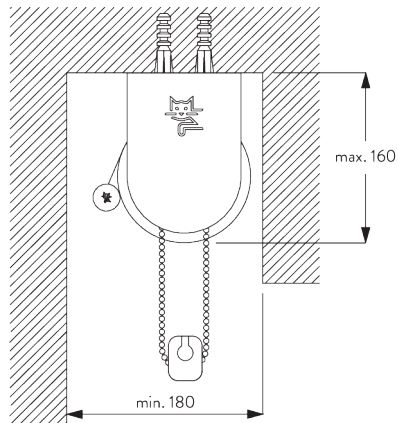


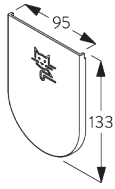
**SG 4986**  
End cover



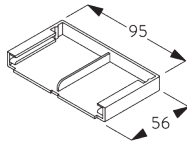
**SG 4988**  
Bracket

### D. RECESS FITTING

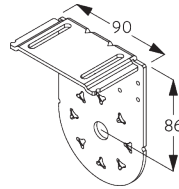




**SG 4984**  
End cover

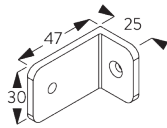
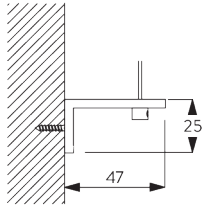


**SG 4986**  
End cover

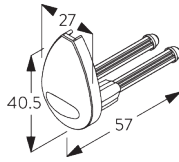


**SG 4988**  
Bracket

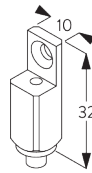
**E. FITTING WITH  
SIDE GUIDE  
OPTION**



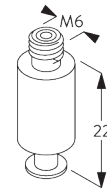
**SG 3036**  
Bracket 47 mm



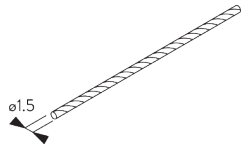
**SG 4944**  
Side guide end cover



**SG 4946**  
Side guide wire rope fastener



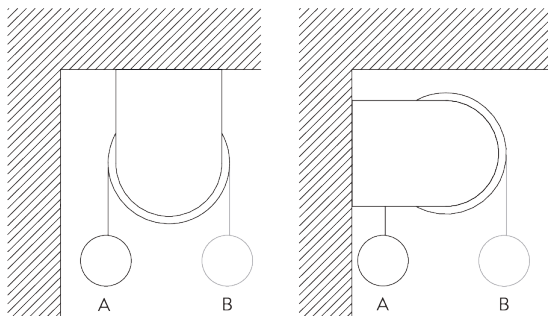
**SG 4947**  
Side guide wire rope fastener



**SG 4948**  
Side guide wire ø 1.5 mm

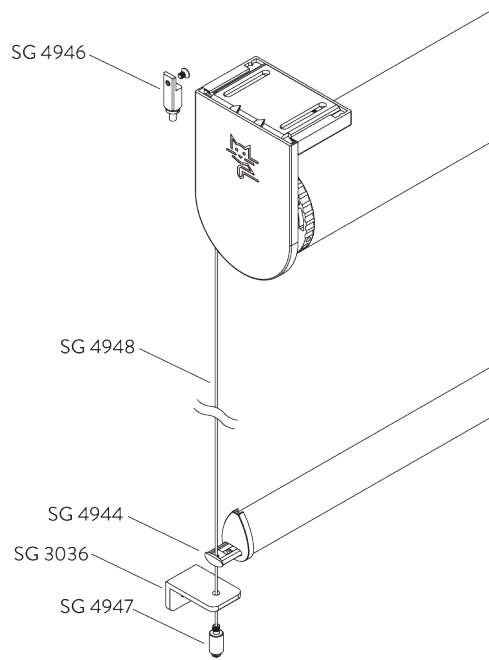
# SYSTEM OPTIONS

**A. FABRIC ROLL-OFF**



A: Fabric roll-off window side (standard)  
B: Fabric roll-off room side (option)

## **B. SIDE GUIDES**



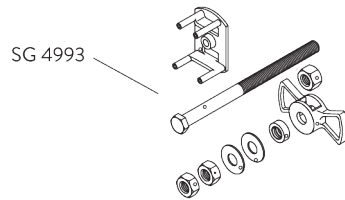
### *Additional parts:*

- 2x SG 3036 Bracket 47 mm
- 2x SG 4944 Side guide end cover
- 2x SG 4946 Side guide wire rope fastener
- 2x SG 4947 Side guide wire rope fastener
- 2x SG 4948 Side guide wire  $\varnothing$  1.5 mm

### *Note:*

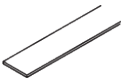
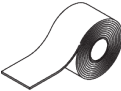

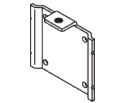
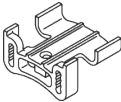
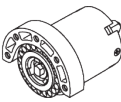
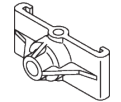
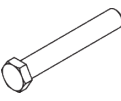


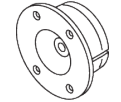
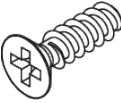

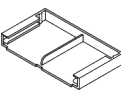
- Up to 15° from vertical


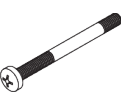
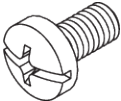
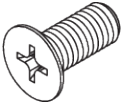
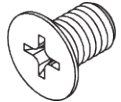
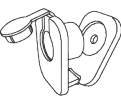


## **C. ADJUSTABLE END STOP**



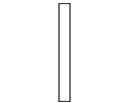
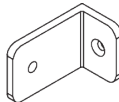
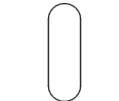

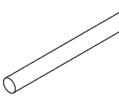
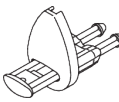
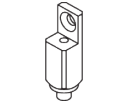


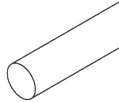
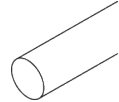
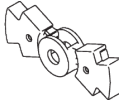

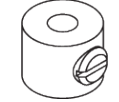
# PARTS

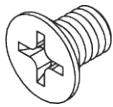
## A. STANDARD PARTS

	<b>SG 4223</b> PVC strip 14 mm
	<b>SG 4226</b> Double tape 30 mm
	<b>SG 4845</b> Bead chain metal ø 4.5 mm
	<b>SG 4906</b> Plate (set SG 4949)
	<b>SG 4908</b> End stop
	<b>SG 4909</b> Chain drive
	<b>SG 4915</b> Support
	<b>SG 4939</b> Shaft
	<b>SG 4957</b> Tube ø 110 mm
	<b>SG 4958</b> Tube adapter
	<b>SG 4961</b> Tube adapter
	<b>SG 4983</b> Countersunk head screw 5x16 Remform
	<b>SG 4984</b> End cover
	<b>SG 4986</b> End cover

	<b>SG 4988</b> Bracket
	<b>SG 6951</b> Pan head screw coated M6x70
	<b>SG 10505</b> Pan head screw Freedrive M4x8
	<b>SG 10508</b> Countersunk head screw M5x12
	<b>SG 10509</b> Countersunk head screw M5x8
	<b>SG 10731</b> Child safety retainer set
	<b>SG 10760</b> Bottom bar
	<b>SG 10761</b> End cover

## B. OPTIONAL PARTS

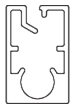
	<b>SG 2006</b> Bottom bar 28x3 mm
	<b>SG 3036</b> Bracket 47 mm
	<b>SG 4752</b> Bottom bar plastic
	<b>SG 4903</b> Bottom bar
	<b>SG 4943</b> Rod ø 4 mm
	<b>SG 4944</b> Side guide end cover
	<b>SG 4946</b> Side guide wire rope fastener
	<b>SG 4947</b> Side guide wire rope fastener
	<b>SG 4948</b> Side guide wire ø 1.5 mm
	<b>SG 4951</b> Bottom weight ø 8 mm
	<b>SG 4963</b> Rod ø 6 mm
	<b>SG 4965</b> End stop flange
	<b>SG 4993</b> End stop set
	<b>SG 8249</b> Side guide device



**SG 10502**

Countersunk head screw M4x6

---



**SG 10770**

Bottom bar

---



**SG 10771**

End cover

---



**SG 11178**

End cover

---