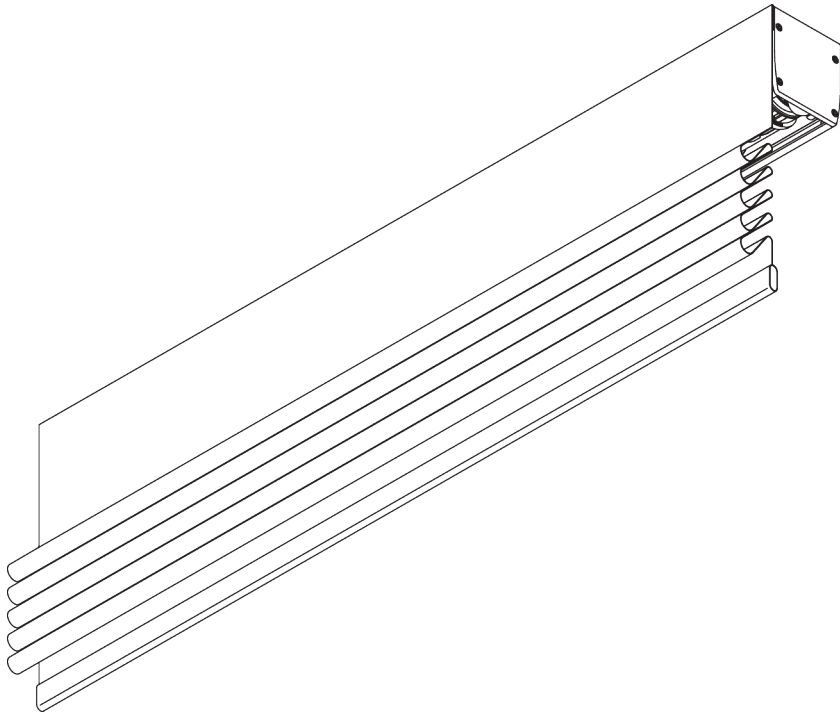
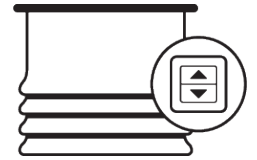


SG 2350



PRODUCT INFORMATION

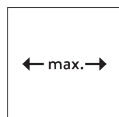
- **Operation:** motorised
- **Range:** S - L
- **Fitting:** ceiling, wall
- **Colours:** white RAL 9016
- **Fabrics:** refer to Silent Gliss fabric collection

Features:

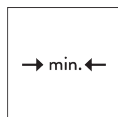
- Quiet and fast motors
- Soft stop
- Various control options
- Enclosed headrail

SYSTEM SPECIFICATIONS

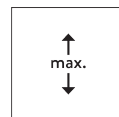
A. SYSTEM DIMENSIONS



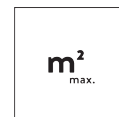
6 m



60 cm



6 m



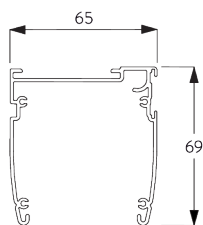
36 m²



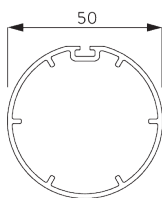
15 kg

B. PROFILE

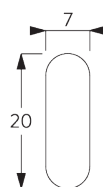
Profile information



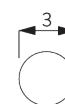
SG 2351
Profile



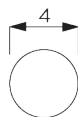
SG 2352
Profile ø 50 mm



SG 2004
Bottom bar 20x7 mm

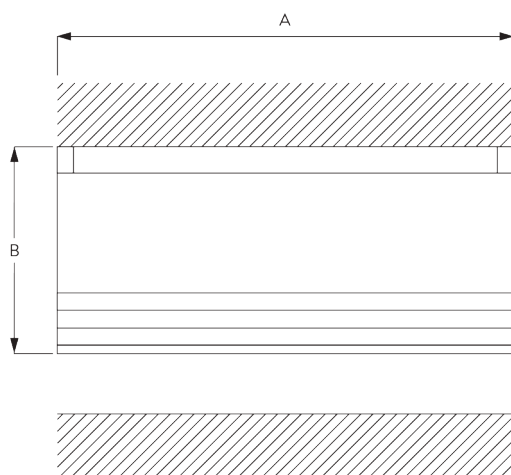


SG 2135
Rod steel ø 3 mm



SG 2137
Rod fiberglass ø 4 mm

C. HOW TO MEASURE



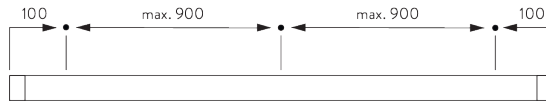
A: System width
B: System height

FITTING

A. FITTING INFORMATION

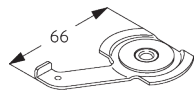
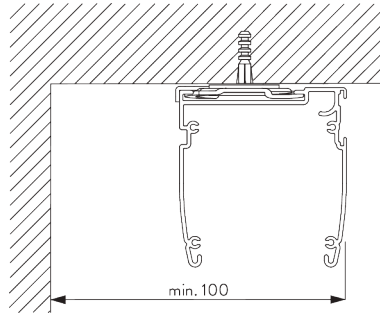
For detailed fitting information, visit the *Silent Gliss* website.

Fixing points



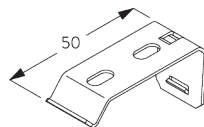
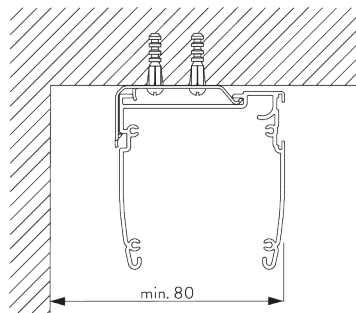
B. CEILING FITTING

Clamp SG 3003



SG 3003
Clamp

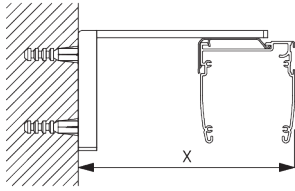
Bracket SG 2521



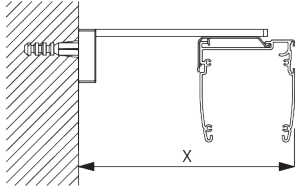
SG 2521
Bracket

C. WALL FITTING

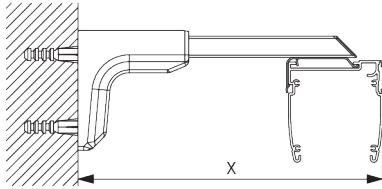
Smart Fix



Smart Fix SG 11200 - SG 11204 and bracket SG 2521:
Screw SG 10395 (M4x6) needed.

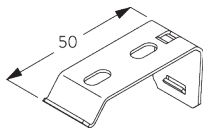


Square Smart Fix SG 11210 - SG 11214 and bracket SG 2521:
Screw SG 10395 (M4x6) needed.



Universal Smart Fix SG 11154 - SG 11156 and bracket SG 2521:
Screw SG 10492 (M4x8) needed.

Smart Fix	X mm
SG 11200 / SG 11210	80-84
SG 11201 / SG 11211	100-104
SG 11202 / SG 11212	120-124
SG 11203 / SG 11213	140-144
SG 11204 / SG 11214	170-174
SG 11154	134-162
SG 11155	164-192
SG 11156	214-242



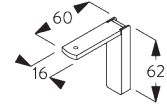
SG 2521
Bracket



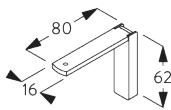
SG 10395
Pan head screw M4x6



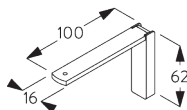
SG 10492
Pan head screw M4x8



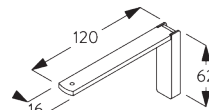
SG 11200
Smart Fix 60 mm



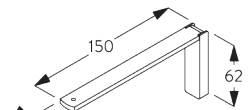
SG 11201
Smart Fix 80 mm



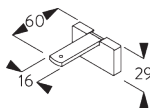
SG 11202
Smart Fix 100 mm



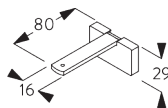
SG 11203
Smart Fix 120 mm



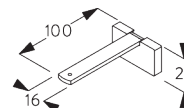
SG 11204
Smart Fix 150 mm



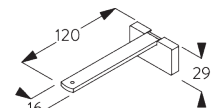
SG 11210
Square Smart Fix 60 mm



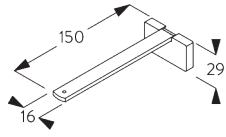
SG 11211
Square Smart Fix 80 mm



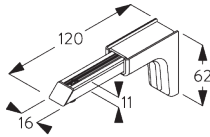
SG 11212
Square Smart Fix 100 mm



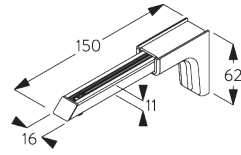
SG 11213
Square Smart Fix 120 mm



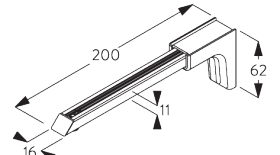
SG 11214
Square Smart Fix 150 mm



SG 11154
Universal Smart Fix 120 mm

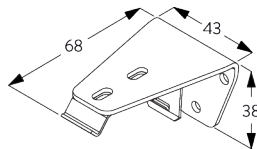
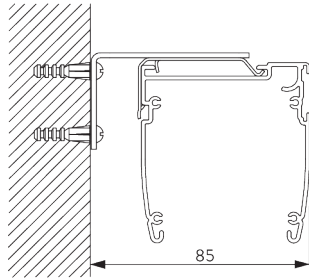


SG 11155
Universal Smart Fix 150 mm



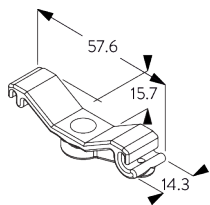
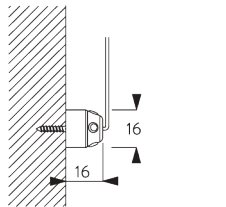
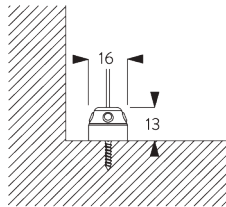
SG 11156
Universal Smart Fix 200 mm

Bracket SG 2363

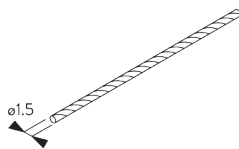


SG 2363
Bracket 68 mm

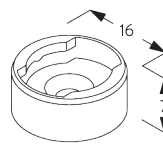
D. FITTING WITH SIDE GUIDE OPTION



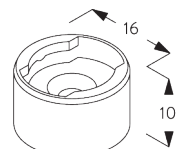
SG 2362
Side guide wire holder



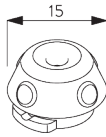
SG 4948
Side guide wire ϕ 1.5 mm



SG 8235
Side guide wire base short

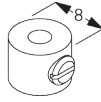


SG 8236
Side guide wire base long



SG 8237

Side guide wire holder

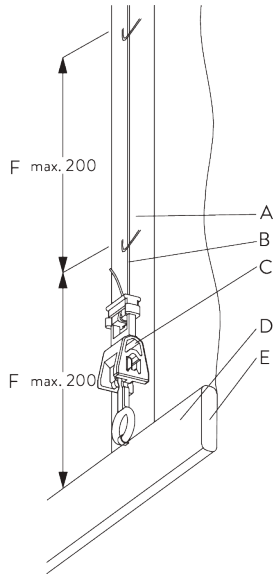


SG 8249

Side guide device

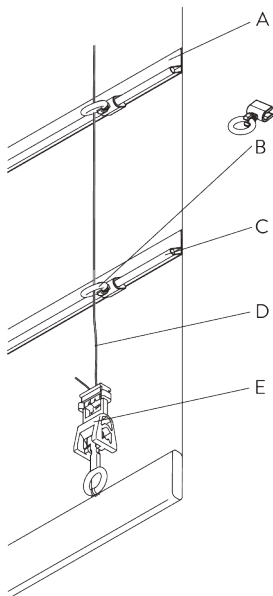
SYSTEM OPTIONS

A. FABRIC MAKE-UP



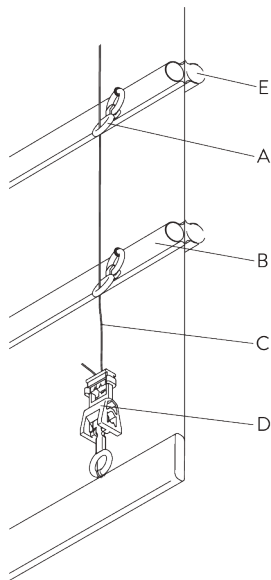
Type A (standard)

- A: Loop tape SG 3074
- B: Cord SG 2216
- C: Child safety hook set SG 3164
- D: Hollow hem
- E: Bottom bar SG 2004
- F: Child safety: max. distance 200 mm



Type B (rod)

- A: Hollow hem
- B: Child safety eyelet hard fold SG 3069
- C: Rod SG 2135
- D: Cord SG 2216
- E: Child safety hook set SG 3164



Type C (rod)

A: Child safety eyelet set SG 3161

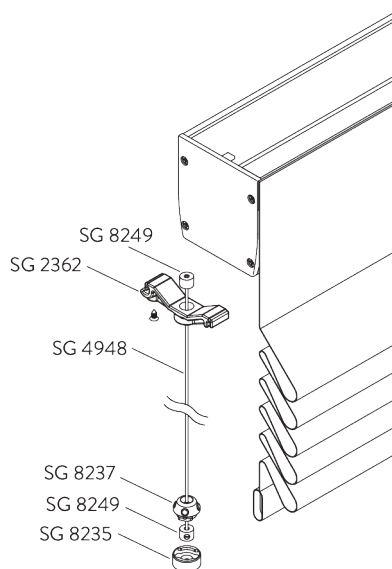
B: Rod SG 2135 / SG 2137

C: Cord SG 2216

D: Child safety hook set SG 3164

E: Option: Rod SG 2135 / SG 2137 can be installed to room side

B. SIDE GUIDES



Additional parts:

- 2x SG 2362 Side guide wire holder
- 2x SG 4948 Side guide wire \varnothing 1.5 mm
- 2x SG 8235 Side guide wire base short
- 2x SG 8237 Side guide wire holder
- 4x SG 8249 Side guide device

Note:

- Up to 15° from vertical

MOTORS & CONTROLS

A. MOTOR FEATURES

Motors	50-Series	20-Series	20-Series	10-Series K	5-Series
	SG 11251 SG 11252	SG 10323 SG 10523	SG 10322 SG 10522	SG 10514	SG 10715

Motor Features

Soft stop	•	•	•		
Electronic end-stop	•	•	•		
Electronic revolution counter (unlimited revolution)	•	•	•		
Mechanical end-stop				•	•
Mechanical revolution counter (limited revolution)				•	•
Two intermediate positions possible		•			
Bottom bar alignment	•				
Noiseless stop		•	•	•	
Parallel wiring possible without additional relays		•	•		
Disconnectable motor cable	•	•	•		
IP class	IP 30	IP 44	IP 44	IP 44	IP 44

Control Features

Mains power control		•	•	•	•
SG Control L (built-in receiver)		•			
Smart by Silent Gliss	•				
Suitable for most major home automation systems (with suitable interface)		•	•	•	•

B. MOTOR SPECIFICATIONS

See website for wiring diagram.

Motors	Max. weight	Min. system width	Voltage	Current	Frequency	Speed	Frequency receiver
--------	-------------	-------------------	---------	---------	-----------	-------	--------------------

50-Series (Smart by Silent Gliss)

SG 11251	7.5 kg	60 cm	24 V DC	1.5 A	-	32 rpm	-
SG 11252	15 kg	60 cm	24 V DC	2.1 A	-	20 rpm	-

20-Series

SG 10322 (Standard)	15 kg	60 cm	230 V AC	0.73 A	50 Hz	30 rpm	-
SG 10323	15 kg	60 cm	230 V AC	0.73 A	50 Hz	30 rpm	868/915 MHz
SG 10522	7.5 kg	60 cm	230 V AC	0.55 A	50 Hz	30 rpm	-
SG 10523	7.5 kg	60 cm	230 V AC	0.55 A	50 Hz	30 rpm	868/915 MHz

10-Series K

SG 10514	7.5 kg	60 cm	230 V AC	0.52 A	50 Hz	30 rpm	-
----------	--------	-------	----------	--------	-------	--------	---

5-Series

SG 10715	15 kg	60 cm	230 V AC	0.485 A	50-60 Hz	28 rpm	-
----------	-------	-------	----------	---------	----------	--------	---

C. OPERATING METHODS

See catalogue "controls" for details.

Wall Switch



System can be operated by fixed wall switch.

SG Control L



Various radio hand-held and wall transmitters available.



Silent Gliss Move App.

Smart by Silent Gliss



Open designed two-way communication system which allows to flawlessly integrate products with most major building management systems.



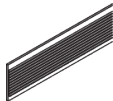
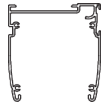
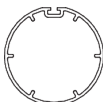
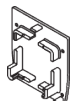


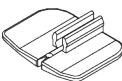

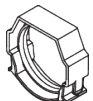

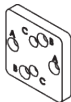
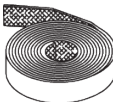
D. WIRING
DIAGRAMS


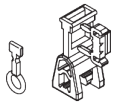
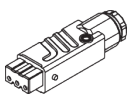
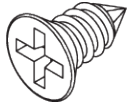





Refer to Silent Gliss website.

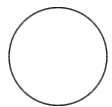
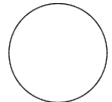

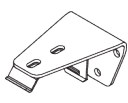
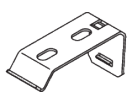
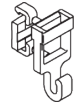

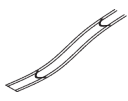
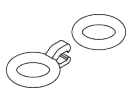




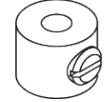
PARTS

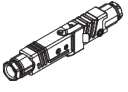
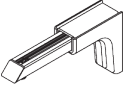

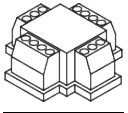
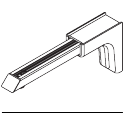
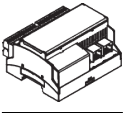
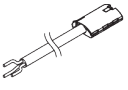
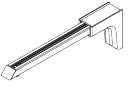

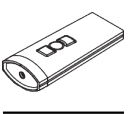
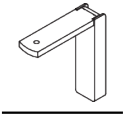
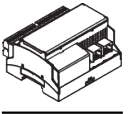
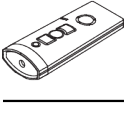
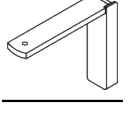
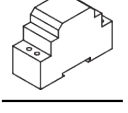
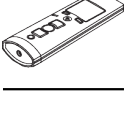
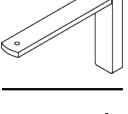
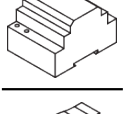
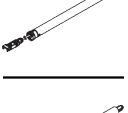
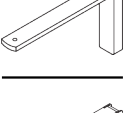
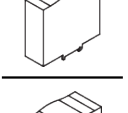
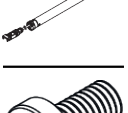
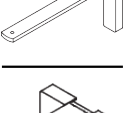
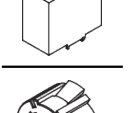
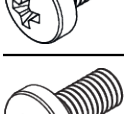
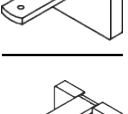
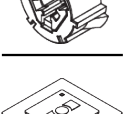
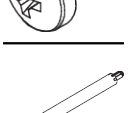
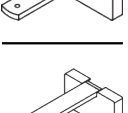
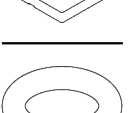
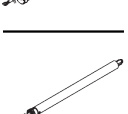
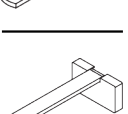
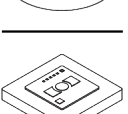
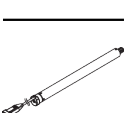
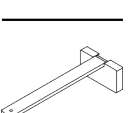
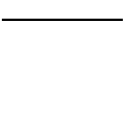
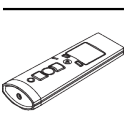
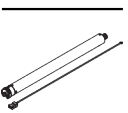


A. STANDARD PARTS

	SG 2004 Bottom bar 20x7 mm
	SG 2216 Cord ø 0.85 mm
	SG 2221 Velcro tape
	SG 2351 Profile
	SG 2352 Profile ø 50 mm
	SG 2353 End cover
	SG 2354 End cover
	SG 2355 Tube adapter
	SG 2357 Pin
	SG 2358 Shell
	SG 2359 Support
	SG 2361 Tube adapter
	SG 2368 Motor plate
	SG 2539 Tape

	SG 3003 Clamp
	SG 3164 Child safety hook set
	SG 9917 Hirschmann portable socket-outlet STAK 3 N
	SG 10139 Countersunk screw 2.9x6.5
	SG 10284 O-Ring
	SG 10522 Motor 230V AC, 20-Series S 3/30
	SG 11324 PT Screw Countersunk KA35x14

B. OPTIONAL PARTS

	SG 2135 Rod steel ø 3 mm
	SG 2137 Rod fiberglass ø 4 mm
	SG 2362 Side guide wire holder
	SG 2363 Bracket 68 mm
	SG 2521 Bracket
	SG 3055 Hook
	SG 3069 Child safety eyelet
	SG 3074 Loop tape
	SG 3161 Child safety eyelet set
	SG 4948 Side guide wire ø 1.5 mm
	SG 8235 Side guide wire base short
	SG 8236 Side guide wire base long
	SG 8237 Side guide wire holder
	SG 8249 Side guide device

	SG 9916 Hirschmann plug set		SG 1154 Universal Smart Fix 120 mm		SG 11252 Motor 24V DC, 50-Series S 6/20
	SG 9959 Central control unit relay		SG 11155 Universal Smart Fix 150 mm		SG 11260 Gateway Cedia
	SG 10293 Cable 230V AC, 2/3/5/10 m		SG 11156 Universal Smart Fix 200 mm		SG 11261 Gateway KNX
	SG 10300 Radio hand held 1 channel		SG 11200 Smart Fix 60 mm		SG 11262 Expansion unit
	SG 10302 Radio hand held 5+1 channel		SG 11201 Smart Fix 80 mm		SG 11263 Power supply 24V DC, 2.5A DIN Rail
	SG 10303 Radio hand held 10+2+1 channel		SG 11202 Smart Fix 100 mm		SG 11264 Power supply 24V DC, 3.8A DIN Rail
	SG 10322 Tubular motor 230V AC, 20 Series S 5/30		SG 11203 Smart Fix 120 mm		SG 11265 Power supply 24V DC, 5A DIN Rail
	SG 10323 Tubular motor 230V AC, 20-Series S 5/30, radio receiver		SG 11204 Smart Fix 150 mm		SG 11266 Power supply 24V DC, 10A DIN Rail
	SG 10395 Pan head screw M4x6		SG 11210 Square Smart Fix 60 mm		SG 11351 Motor drive 5-Series
	SG 10492 Pan head screw M4x8		SG 11211 Square Smart Fix 80 mm		SG 11480 Radio wall transmitter 1 channel
	SG 10514 Tubular motor 230V AC, 10 Series S 3/30 K		SG 11212 Square Smart Fix 100 mm		SG 11482 Ring
	SG 10523 Motor 230V AC, 20-Series S 3/30, radio receiver		SG 11213 Square Smart Fix 120 mm		SG 11490 Radio wall transmitter 5+1 channel
	SG 10715 Tubular motor 230V AC, 5 Series S 6/28		SG 11214 Square Smart Fix 150 mm		
	SG 10804 Radio hand held 15+5+1 channel		SG 11251 Motor 24V DC, 50-Series S 3/32		

