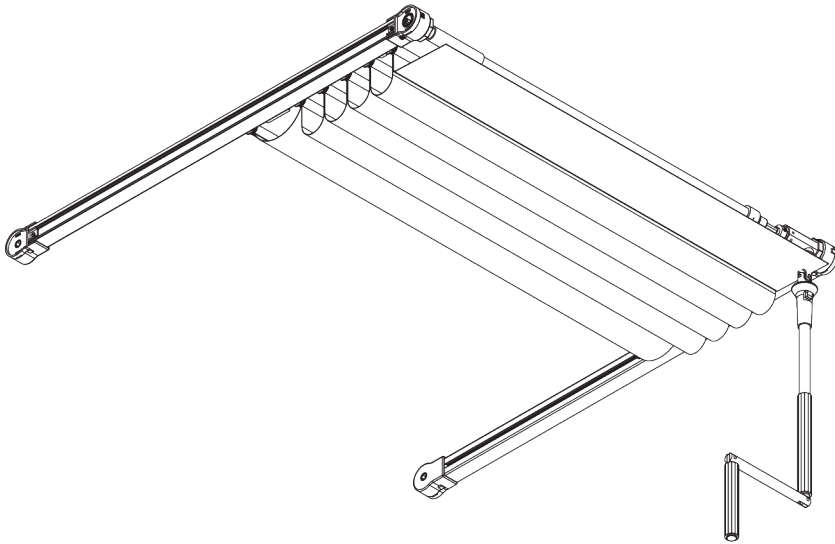
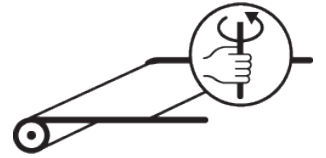


SG 2190



PRODUCT INFORMATION

- **Operation:** crank
- **Range:** S - M
- **Fitting:** ceiling, wall
- **Colours:** white RAL 9016 or anodised aluminum, special colours possible
- **Fabrics:** refer to Silent Gliss fabric collection

Features:

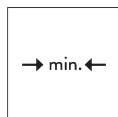
- Bendable
- Sloping
- Cantilever
- Two connected systems

SYSTEM SPECIFICATIONS

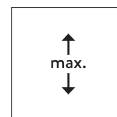
A. SYSTEM DIMENSIONS



2.5 m
(plus 0.8 m each side for cantilever)



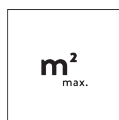
60 cm



6 m



15 kg



15 m²

Max. system sizes and weights - straight systems

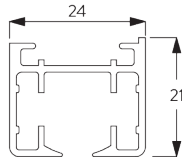
SG 2190		A (m)		B (m)		kg _{max.}	m ² _{max.}
		Type 1	Type 2/3	Type 1	Type 2/3		
		1.8	1.8	5	5	15	9
		0.9 / 0.9	0.9 / 0.9	5	5	15	9
		2	2	5	5	15	10
		1/1	1/1	5	5	15	10
		2.5	2.5	6	6	15	15
		1.5 / 1.5	1.5 / 1.5	6	6	15	18

Bent systems

SG 2190		A (m)		B (m)		kg _{max.}	m ² _{max.}
		Type 1	Type 2/3	Type 1	Type 2/3		
		2	2	5	5	15	10
		1/1	1/1	5	5	15	10
		2	2	5	5	15	10
		1/1	1/1	4	4	15	8
		2	2	4	4	10	8
		1/1	1/1	4	4	10	8

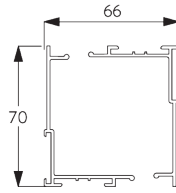
B. PROFILE

Profile and bending information



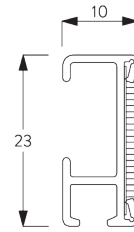
SG 2191

Profile



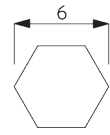
SG 2151

Profile



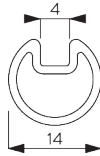
SG 2116

Velcro profile



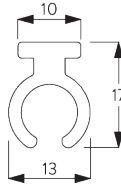
SG 2111

Shaft



SG 2156

Shaft



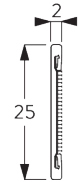
SG 2231

Profile



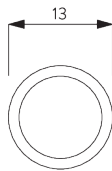
SG 2246

Rod PVC ø 5 mm



SG 2510

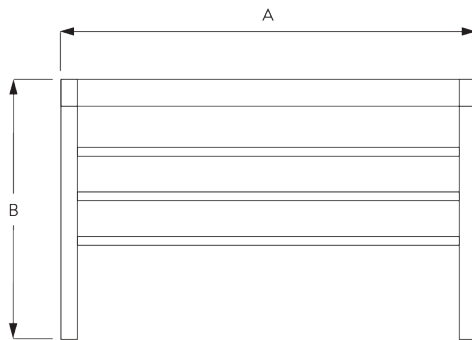
Velcro profile



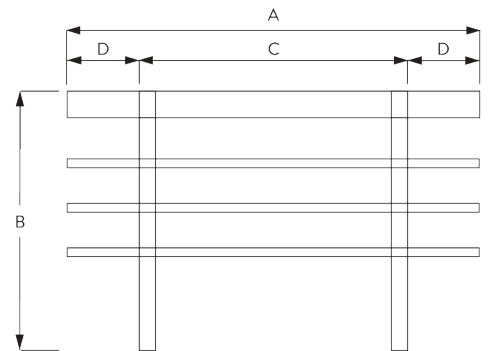
SG 2759

Profile

C. HOW TO MEASURE



A: System width
B: System height



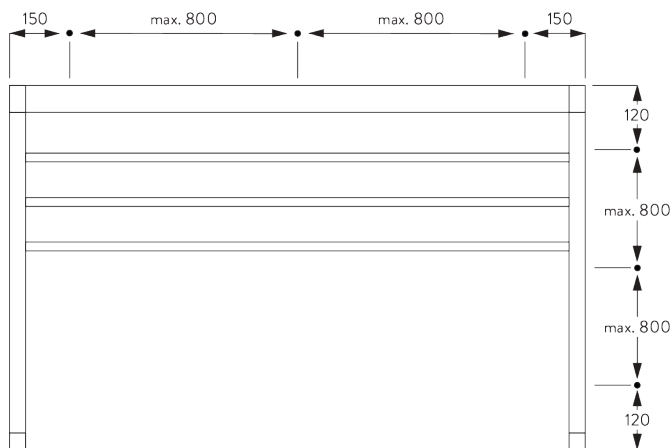
A: System width
B: System height
C: Base system
D: Cantilever max. 80 cm

FITTING

A. FITTING INFORMATION

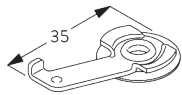
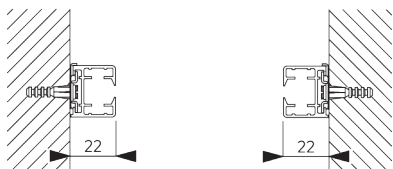
For detailed fitting information, visit the *Silent Gliss* website.

Fixing points



B. INSIDE FITTING

Clamp SG 3825

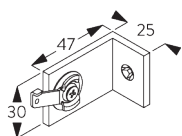
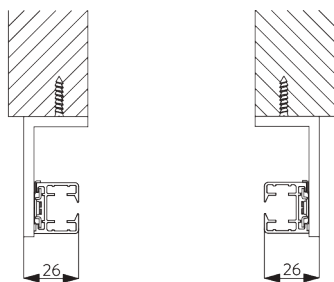


SG 3825

Clamp

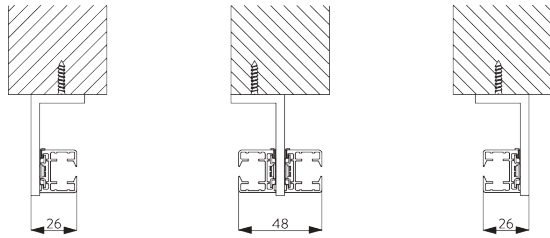
C. FACE FITTING

Bracket SG 3181 / SG 3182

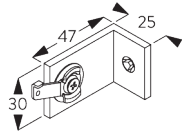


SG 3181

Bracket 1 clamp

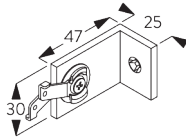


Double system



SG 3181

Bracket 1 clamp

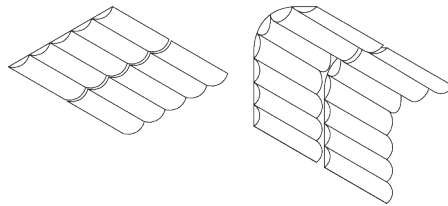


SG 3182

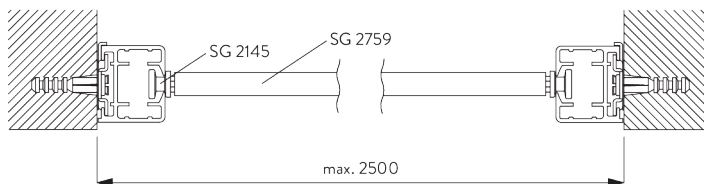
Bracket 2 clamps

SYSTEM OPTIONS

A. TWO CONNECTED SYSTEMS

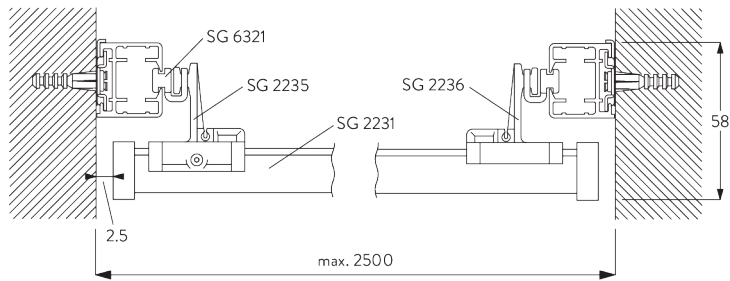


B. INSTALLATION OPTIONS



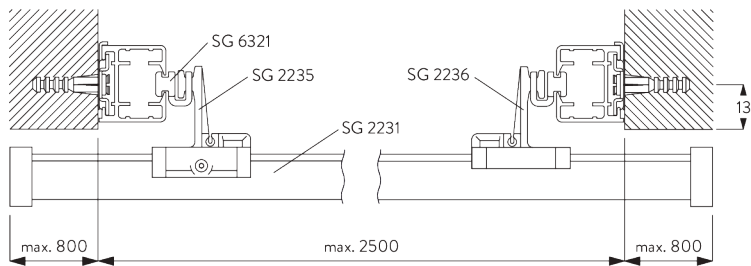
Type 1

- SG 2145: Glider
- SG 2759: Profile



Type 2 (Profiles covered)

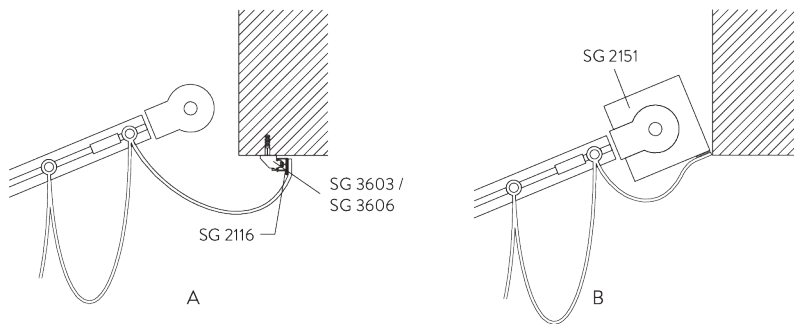
- SG 2231: Profile
- SG 2235: Glider with screw
- SG 2236: Glider without screw
- SG 6321: Glider



Type 3 (Cantilever version to cover side profiles)

- SG 2231: Profile
- SG 2235: Glider with screw
- SG 2236: Glider without screw
- SG 6321: Glider

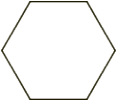
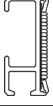
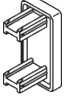
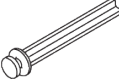


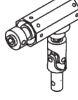
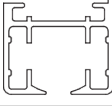
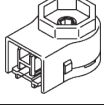
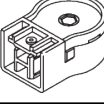
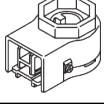
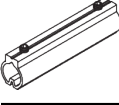
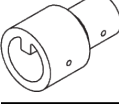
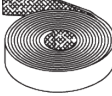
C. FABRIC FIXING

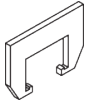
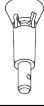
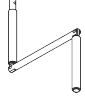
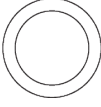
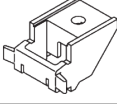

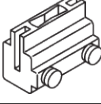
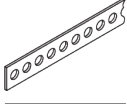




- A: Fixing of fabric with profile SG 2116 (standard)
 B: Fixing of fabric directly on headrail cassette

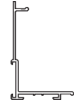


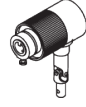


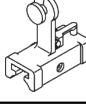
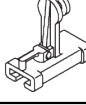
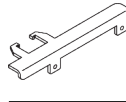
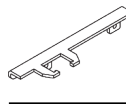
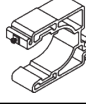
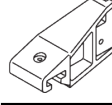

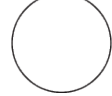
PARTS

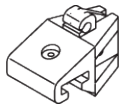
A. STANDARD PARTS

	SG 2111 Shaft
	SG 2116 Velcro profile
	SG 2131 End cover
	SG 2145 Glider
	SG 2156 Shaft
	SG 2182 Sleeve
	SG 2189 Crank drive
	SG 2191 Profile
	SG 2192 Drive
	SG 2193 Guide return
	SG 2230 Drive
	SG 2242 Connector
	SG 2244 Connector
	SG 2539 Tape

	SG 2613 Connector
	SG 2754 Detachable crank hood
	SG 2756 Crank handle
	SG 2759 Profile
	SG 3603 Bracket
	SG 3825 Clamp
	SG 5005 Belt connector
	SG 5130 Driving belt
	SG 6086 Spring stop
	SG 6321 Glider

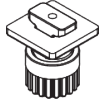
B. OPTIONAL PARTS

	SG 2151 Profile
	SG 2152 Bearing shell
	SG 2153 Pulley
	SG 2176 Crank drive
	SG 2181 Support
	SG 2231 Profile
	SG 2235 Cross glider
	SG 2236 Cross profile glider
	SG 2237 Overlap arm right
	SG 2238 Overlap arm left
	SG 2239 Guide
	SG 2241 Halter
	SG 2243 End cover
	SG 2246 Rod PVC ø 5 mm



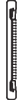
SG 2249

Holder



SG 2255

Brake



SG 2510

Velcro profile



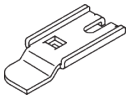
SG 2742

Crank joint



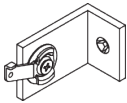
SG 3004

Clamp



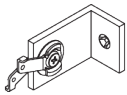
SG 3041

Bracket



SG 3181

Bracket 1 clamp



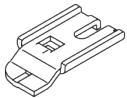
SG 3182

Bracket 2 clamps



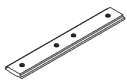
SG 3606

Clip



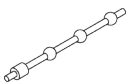
SG 3832

Bracket



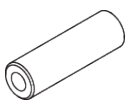
SG 5115

Connection bridge



SG 6322

Distance cord



SG 6796

Spring pin 4x12 DIN 1481