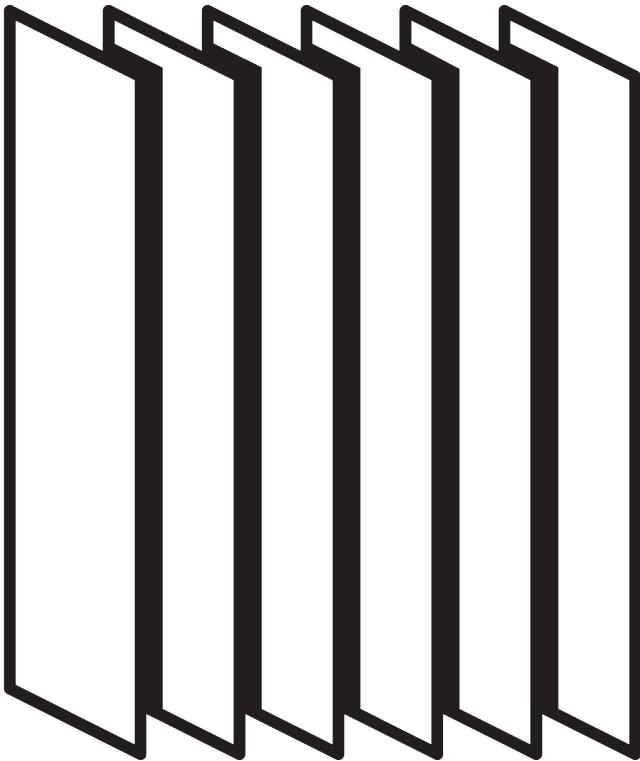


VERTICAL BLIND SYSTEMS



GENERAL NOTES

Dimensions

- Measurements are in mm except where indicated.
- Max. kg relates to fabric incl. accessories (bottom bars, etc.).
- Recommended distance floor / fabric: 20 mm.
- In order to determine system height (B), the smallest room height must be taken into account.




Fitting

- Installation by qualified fitter only.
- Number of brackets and fitting positions / fixing points vary depending on fitting surface, system weight, fabric make-up, screw / fixing type and obstacles.
- Qualified fitter must use appropriate screws / fixings for each situation.
- Profile lip if applicable to be installed to room side.
- Electrical installations must be carried out according to Silent Gliss wiring diagrams and conform to local regulations.
- Check space for cables and plugs!

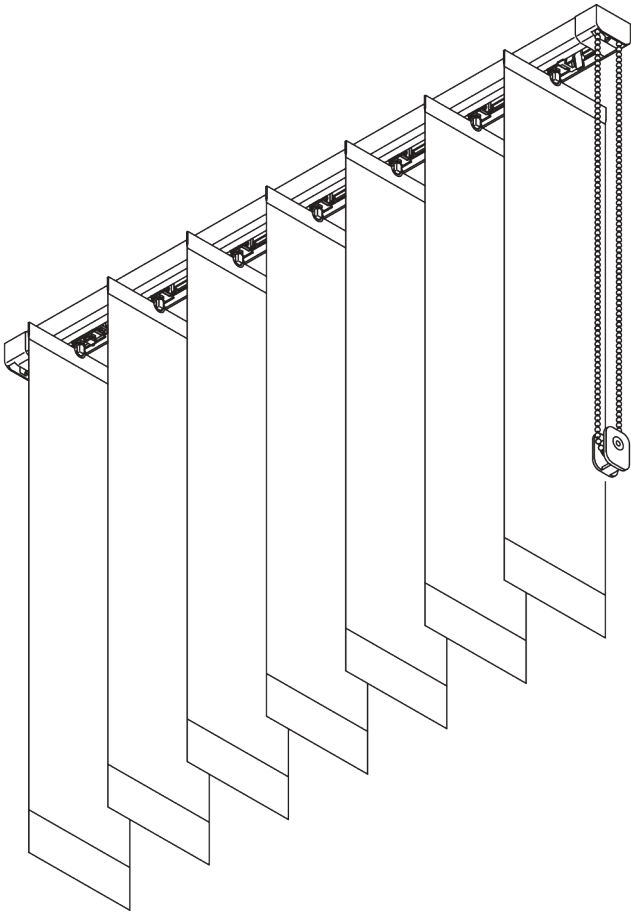
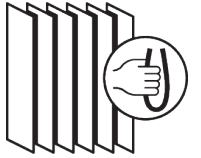
Child Safety

- All relevant Silent Gliss systems correspond to child safety EN 13120.
- All parties involved must comply with EN 13120.

APPLICATION CHART

<u>PAGE</u>	<u>SYSTEM</u>	<u>OPERATION</u>	<u>DIMENSION</u>	← max. →	↑ max. ↓	kg _{max.}
5	SG 2810		S - M	5 m	4 m	0.2 kg
13	SG 2900		S - L	6 m	4 m	0.6 kg
21	SG 2950		S - L	6 m	4 m	0.6 kg

SG 2810



PRODUCT INFORMATION

- **Operation:** chain
- **Range:** S - M
- **Fitting:** ceiling, wall, recess
- **Colours:** white RAL 9016 or anodised aluminum, special colours possible
- **Fabrics:** refer to Silent Gliss fabric collection

Features:

- Optimised light control
- Mono controlled
- Pull override protection
- Louvre width: 127 mm (standard), 89 mm
- Vertical Waves
- Bendable

SYSTEM SPECIFICATIONS

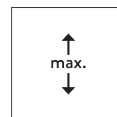
A. SYSTEM DIMENSIONS



127 mm louvres: 5 m
89 mm louvres: 3.8 m



40 cm



4 m



200 g per louvre

Max. system widths

	127 mm 89 mm	5 m 3.8 m
	127 mm 89 mm	4 m 3.1 m
	127 mm 89 mm	4 m 3.1 m

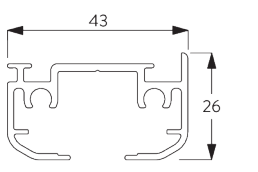
Stack sizes

		100	150	200	250	300	350	400	450	500
127 mm		27	35	42	50	57	65	72	80	87
		21	25	28	32	36	39	43	47	50
89 mm		29	40	50	60	69	80			
		20	25	30	35	39	45			

(cm)

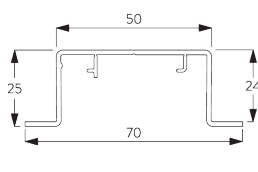
B. PROFILE

Profile and bending information



SG 2601

Profile

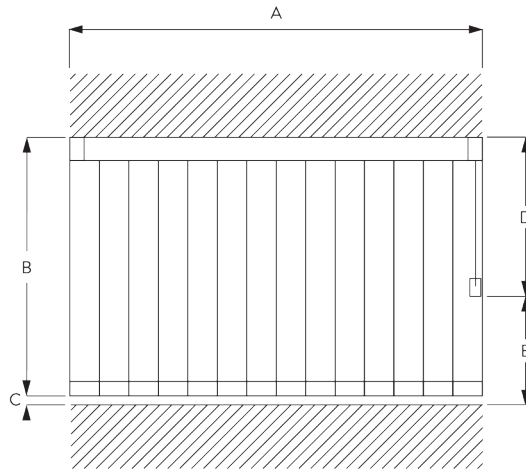


SG 2615

Recess profile

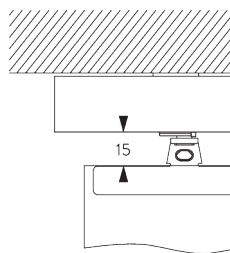


**C. HOW TO
MEASURE**



- A: System width
- B: System height
- C: Distance between floor and fabric
- D: Chain height
- E: Safety retainer SG 10731 min. 150 cm above floor

Light gap

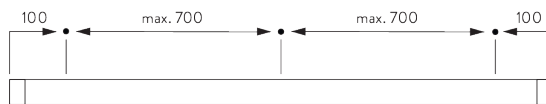


FITTING

**A. FITTING
INFORMATION**

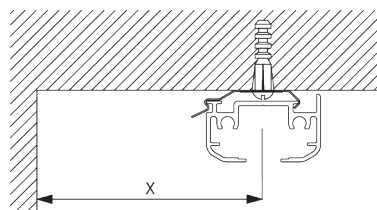
For detailed fitting information, visit the Silent Gliss website.

Fixing points

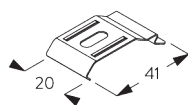


B. CEILING FITTING

Bracket SG 2616



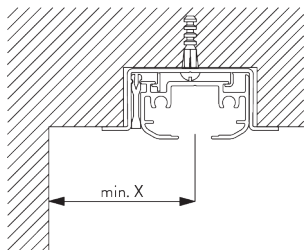
Min. wall distance louvres	X mm
89 mm	65
127 mm	85
Vertical Waves 89 mm	115
Vertical Waves 125 mm	140



SG 2616
Bracket

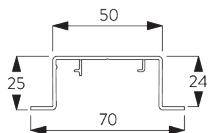
C. RECESS FITTING

Recess profile SG 2615

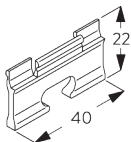


Recess profile SG 2615 can not be bent!
One wedge SG 5118 per fixing point.
For detailed recess fitting, visit the Silent Gliss website.

Min. wall distance louvres	X mm
89 mm	65
127 mm	85
Vertical Waves 89 mm	115
Vertical Waves 125 mm	140



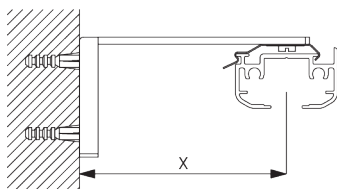
SG 2615
Recess profile



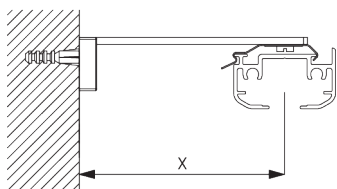
SG 5118
Wedge

D. WALL FITTING

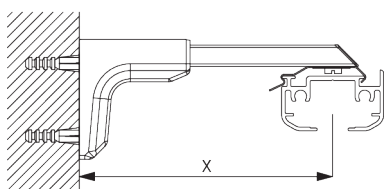
Smart Fix



Smart Fix SG 11201 - SG 11204 and bracket SG 2616:
Screw SG 10395 (M4x6) needed



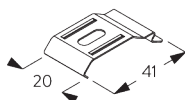
Square Smart Fix SG 11211 - SG 11214 and bracket SG 2616:
Screw SG 10395 (M4x6) needed



Universal Smart Fix SG 11154 - SG 11156 and bracket SG 2616:
Screw SG 10492 (M4x8) needed

Smart Fix	X mm
SG 11201 / SG 11211	72
SG 11202 / SG 11212	92
SG 11203 / SG 11213	112
SG 11204 / SG 11214	142
SG 11154	102-130
SG 11155	132-160
SG 11156	182-210

Min. wall distance louvres	X mm
89 mm	65
127 mm	85
Vertical Waves 89 mm	115
Vertical Waves 125 mm	140



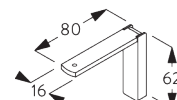
SG 2616
Bracket



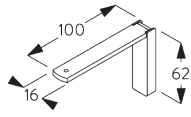
SG 10395
Pan head screw M4x6



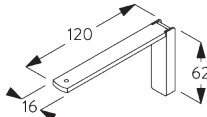
SG 10492
Pan head screw M4x8



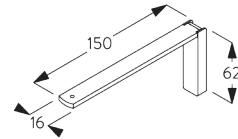
SG 11201
Smart Fix 80 mm



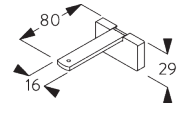
SG 11202
Smart Fix 100 mm



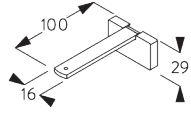
SG 11203
Smart Fix 120 mm



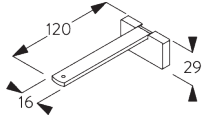
SG 11204
Smart Fix 150 mm



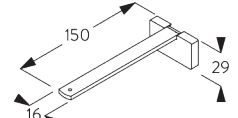
SG 11211
Square Smart Fix 80 mm



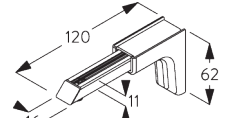
SG 11212
Square Smart Fix 100 mm



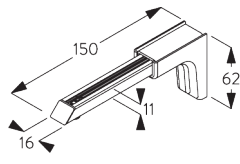
SG 11213
Square Smart Fix 120 mm



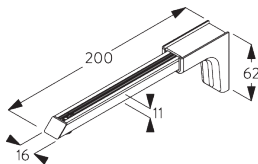
SG 11214
Square Smart Fix 150 mm



SG 11154
Universal Smart Fix 120 mm



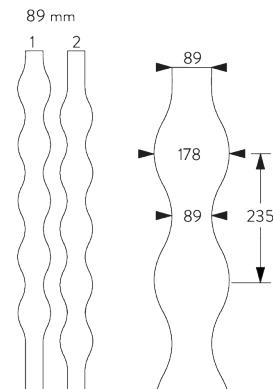
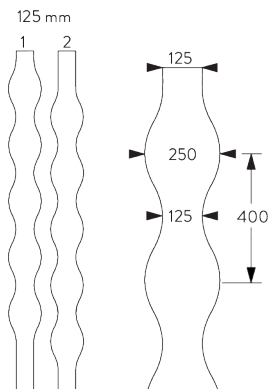
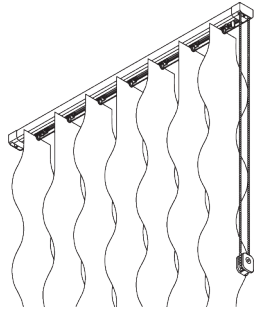
SG 11155
Universal Smart Fix 150 mm



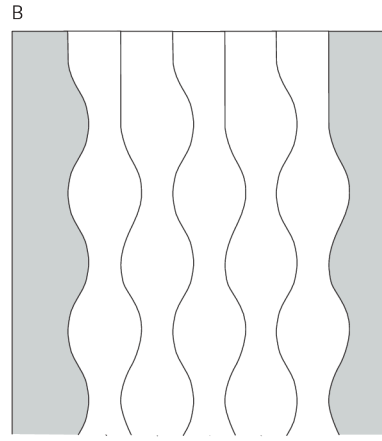
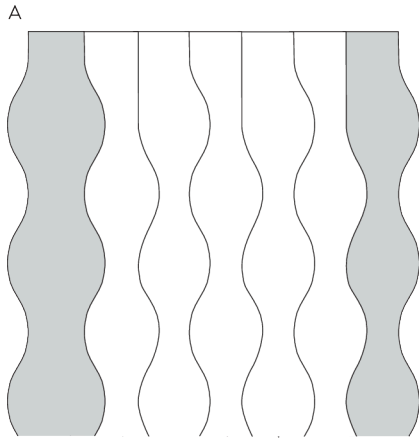
SG 11156
Universal Smart Fix 200 mm

SYSTEM OPTIONS

A. VERTICAL WAVES



3D Vertical Waves only applicable with 125 mm louvres.

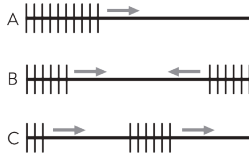


Wall ending

A: Wavy edge

B: Straight edge

B. STACKING **VARIATIONS**



A: Single stack in one direction

B: Pair stack in two directions symmetrical



C: Pair stack in one direction asymmetrical

D: Pair stack in two directions asymmetrical

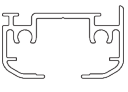
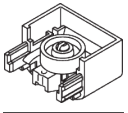
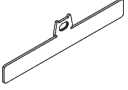

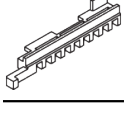
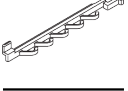
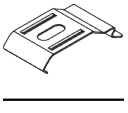
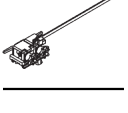
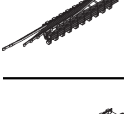
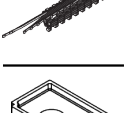
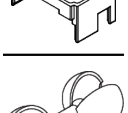
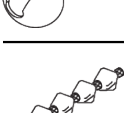
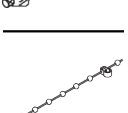
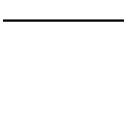
E: Multiple stacking in one direction symmetrical or asymmetrical

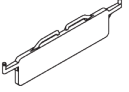



F: Centre stack

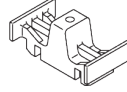
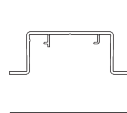
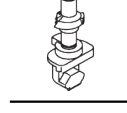
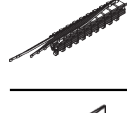
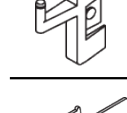
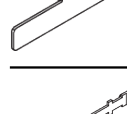
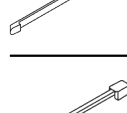
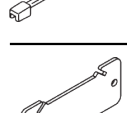
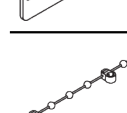
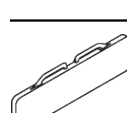

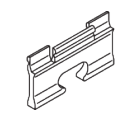
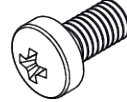

PARTS

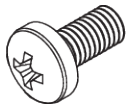
A. STANDARD PARTS

	SG 2601 Profile
	SG 2604 Guide
	SG 2605 Top clip 127 mm
	SG 2610 End stop
	SG 2611 Stopper
	SG 2612 Brake
	SG 2616 Bracket
	SG 2620 Pilot runner
	SG 2623 Rotation element set 127 mm
	SG 2624 Rotation element set 100 mm
	SG 2627 Cover
	SG 2865 Bead chain connector ø 4.6 mm
	SG 2872 Bead chain plastic ø 4.6 mm
	SG 2888 Bottom link 127 mm

	SG 2892 Bottom weight 127 mm / 5"
	SG 10731 Child safety retainer set

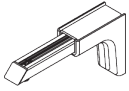
B. OPTIONAL PARTS

	SG 2608 End stop
	SG 2615 Recess profile
	SG 2618 Shaft
	SG 2625 Rotation element set 89 mm
	SG 2735 Holder
	SG 2813 Top clip 89 mm
	SG 2821 Spacer 63 mm / 2.5"
	SG 2881 Spring
	SG 2884 Bottom weight 89 mm
	SG 2889 Bottom link 89 mm
	SG 2890 Bottom weight 127 mm
	SG 3340 Cord/chain weight
	SG 5118 Wedge
	SG 10395 Pan head screw M4x6



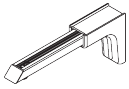
SG 10492

Pan head screw M4x8



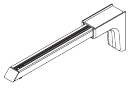
SG 11154

Universal Smart Fix 120 mm



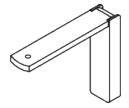
SG 11155

Universal Smart Fix 150 mm



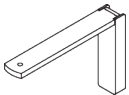
SG 11156

Universal Smart Fix 200 mm



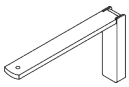
SG 11201

Smart Fix 80 mm



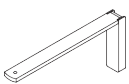
SG 11202

Smart Fix 100 mm



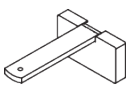
SG 11203

Smart Fix 120 mm



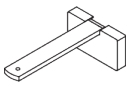
SG 11204

Smart Fix 150 mm



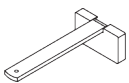
SG 11211

Square Smart Fix 80 mm



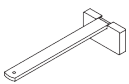
SG 11212

Square Smart Fix 100 mm



SG 11213

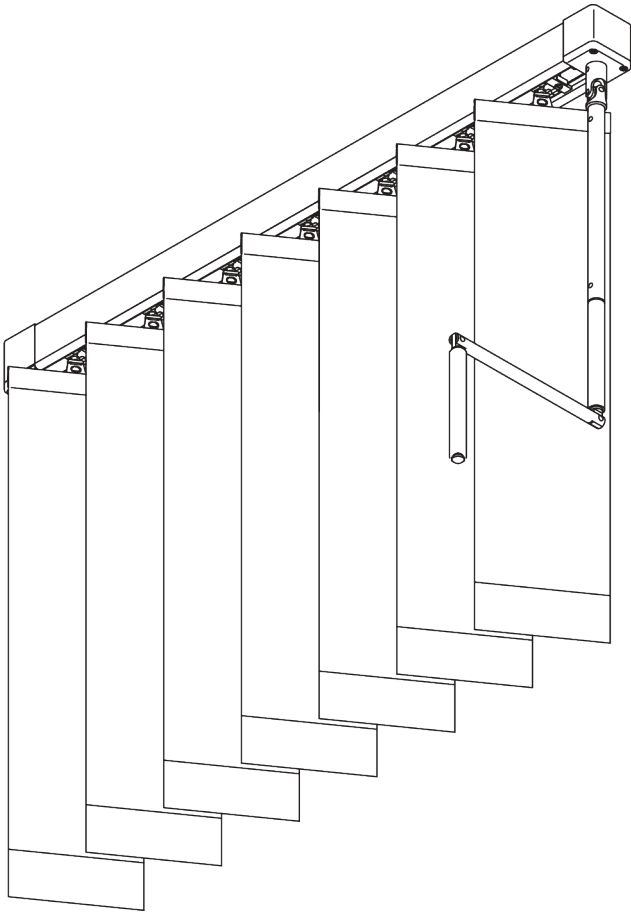
Square Smart Fix 120 mm



SG 11214

Square Smart Fix 150 mm

SG 2900



PRODUCT INFORMATION

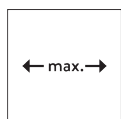
- **Operation:** Crank
- **Range:** S - L
- **Fitting:** ceiling, wall, recess
- **Colours:** white RAL 9016 or anodised aluminum, special colours possible
- **Fabrics:** refer to Silent Gliss fabric collection

Features:

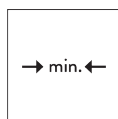
- Optimised light control
- Mono controlled
- Sloping applications
- Louvre width: 127 mm (standard), 89 mm
- Vertical Waves
- Bendable

SYSTEM SPECIFICATIONS

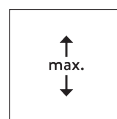
A. SYSTEM DIMENSIONS



6 m



Single Stack: 50 cm
Pair stack: 1.1 m










4 m

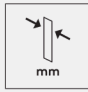

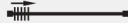

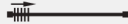



600 g per louvre

Max. system widths

		
	127 mm 89 mm	6 m 6 m
	127 mm 89 mm	6 m 6 m
	127 mm 89 mm	6 m 5 m
	127 mm 89 mm	5 m 5 m
	127 mm 89 mm	6 m 5 m

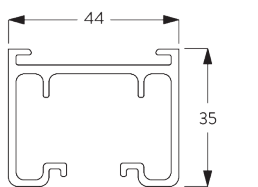
Stack sizes

													
		100	150	200	250	300	350	400	450	500	550	600	
127 mm		27	35	42	50	57	65	72	80	87	95	101	
		21	25	28	32	36	39	43	47	50	54	58	
89 mm		29	40	50	60	69	80	89	100	110	120	129	
		20	25	30	35	39	45	50	56	60	65	69	

(cm)

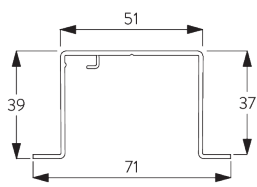
B. PROFILE

Profile and bending information



SG 2901

Profile

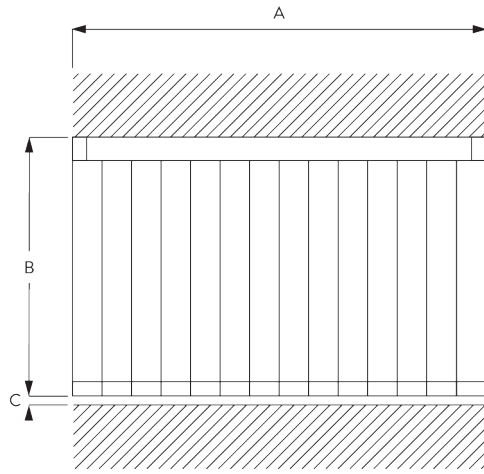


SG 2932

Recess profile



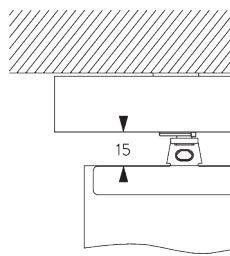
**C. HOW TO
MEASURE**



A: System width
B: System height
C: Distance between floor and fabric

Crank height approx. 110 cm from the floor (crank extended)!

Light gap

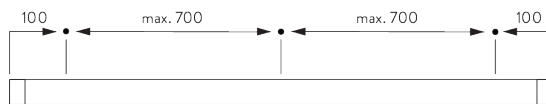


FITTING

**A. FITTING
INFORMATION**

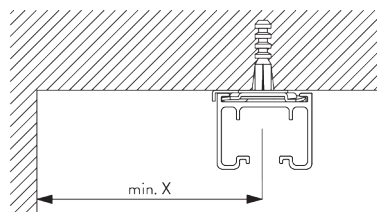
For detailed fitting information, visit the Silent Gliss website.

Fixing points

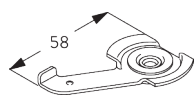


B. CEILING FITTING

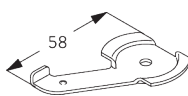
Clamp SG 3033 / SG 3044



Min. wall distance louvres	X mm
89 mm	65
127 mm	85
Vertical Waves 89 mm	115
Vertical Waves 125 mm	140



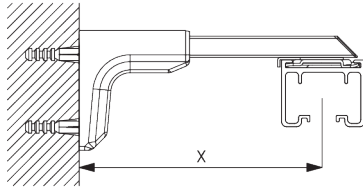
SG 3033
Clamp



SG 3044
Clamp

C. WALL FITTING

Smart Fix

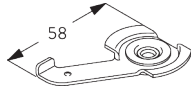


**Universal Smart Fix SG 11154 - SG 11156
and clamp SG 3033 / SG 3044**
Screw SG 11158 (M4x12) needed.

Smart Fix	X mm
SG 11154	102-130
SG 11155	132-160
SG 11156	182-210

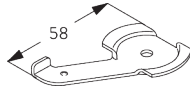
Min. wall distance louvres

Vertical Waves 89 mm	115
Vertical Waves 125 mm	140



SG 3033

Clamp



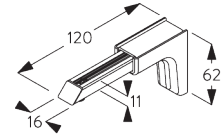
SG 3044

Clamp



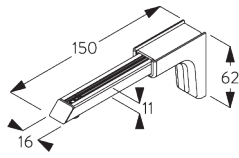
SG 11158

Countersunk head screw
M4x12



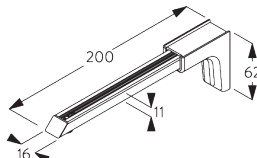
SG 11154

Universal Smart Fix 120 mm



SG 11155

Universal Smart Fix 150 mm

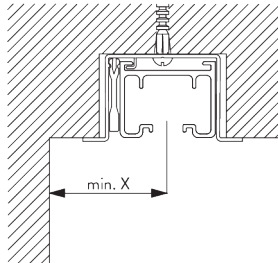


SG 11156

Universal Smart Fix 200 mm

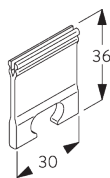
D. RECESS FITTING

Recess profile SG 2932



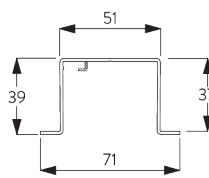
Recess profile SG 2932 can not be bent!
One wedge SG 2941 per fixing point.
For detailed recess fitting, visit the Silent Gliss website.

Min. wall distance louvres	X mm
89 mm	65
127 mm	85
Vertical Waves 89 mm	115
Vertical Waves 125 mm	140



SG 2941

Wedge

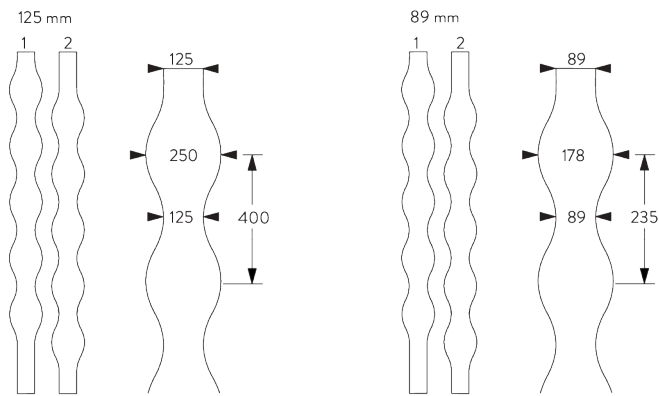
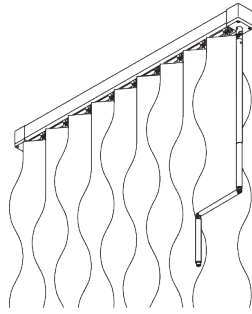


SG 2932

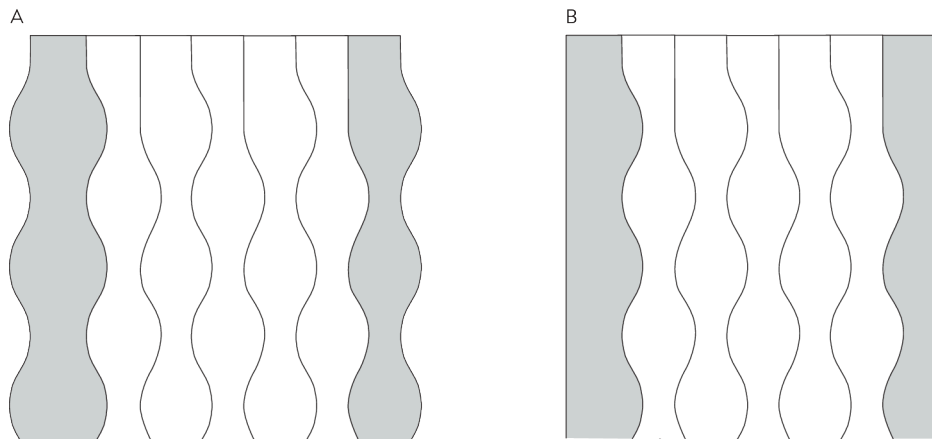
Recess profile

SYSTEM OPTIONS

A. VERTICAL WAVES



3D Vertical Waves only applicable with 125 mm louvres.

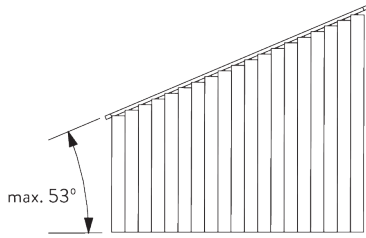


Wall ending

A: Wavy edge

B: Straight edge

**B. SLOPING
WINDOWS**

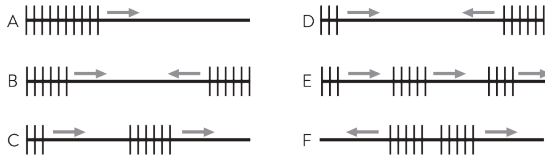


Maximum slope depends on louvre widths:

- 45° with 127 mm louvres
- 53° with 89 mm louvres

Not suitable with system option Vertical Waves.

**C. STACKING
VARIATIONS**



A: Single stack in one direction

B: Pair stack in two directions symmetrical

C: Pair stack in one direction asymmetrical

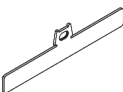

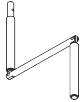
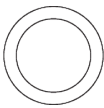

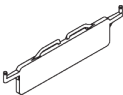
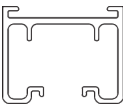
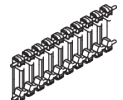



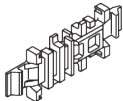
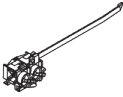

D: Pair stack in two directions asymmetrical

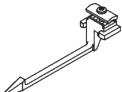
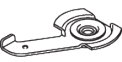
E: Multiple stacking in one direction symmetrical or asymmetrical

F: Centre stack

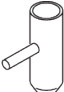


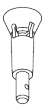
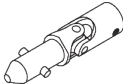



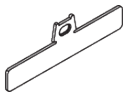
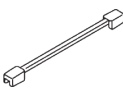
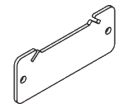
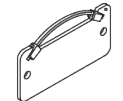

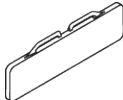
PARTS

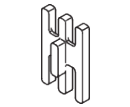
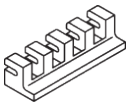
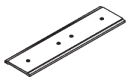
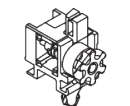
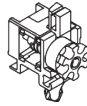
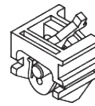
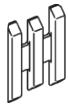
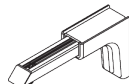
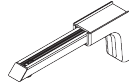
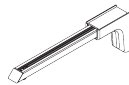
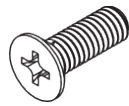
A. STANDARD PARTS

	SG 2605 Top clip 127 mm
	SG 2742 Crank joint
	SG 2756 Crank handle
	SG 2759 Profile
	SG 2888 Bottom link 127 mm
	SG 2892 Bottom weight 127 mm / 5"
	SG 2901 Profile
	SG 2912 Toothed chain
	SG 2916 Rotation element set 127 mm
	SG 2917 Rotation element set 100 mm
	SG 2920 Crank drive set
	SG 2925 Chain connector
	SG 2927 Pilot runner
	SG 2949 End stop

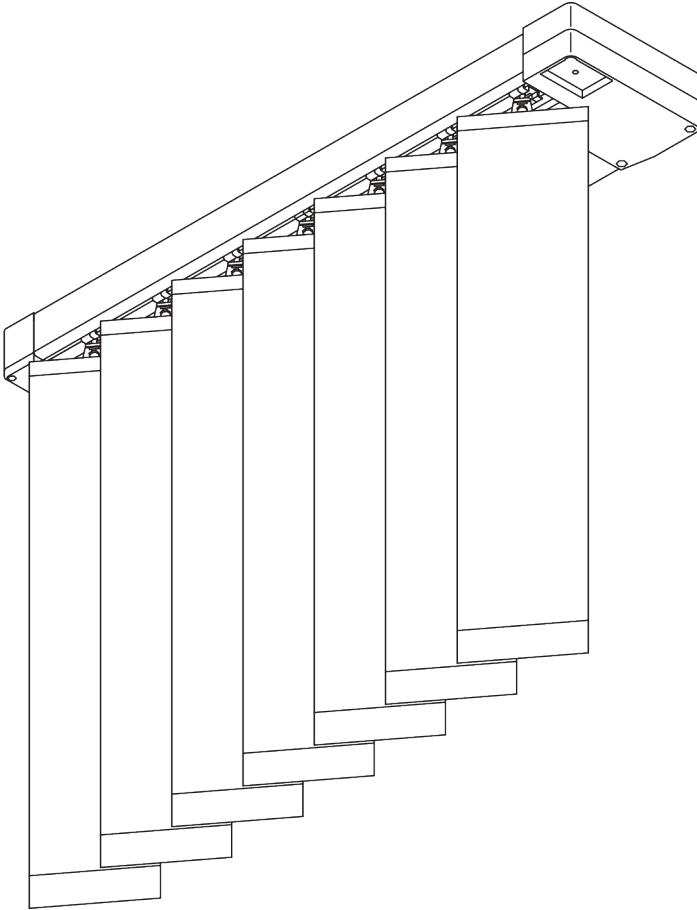
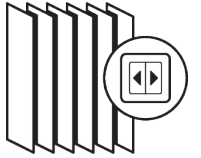
	SG 2982 End stop
	SG 3033 Clamp

B. OPTIONAL PARTS

	SG 2182 Sleeve
	SG 2735 Holder
	SG 2742 Crank joint
	SG 2754 Detachable crank hood
	SG 2755 Crank joint
	SG 2775 Sloping window distance part
	SG 2776 Sloping window distance part
	SG 2793 Sloping window distance part
	SG 2813 Top clip 89 mm
	SG 2881 Spring
	SG 2884 Bottom weight 89 mm
	SG 2887 Bottom weight 89 mm
	SG 2889 Bottom link 89 mm
	SG 2890 Bottom weight 127 mm

**SG 2918***Rotation element set 89 mm***SG 2919***Rotation element set 80 mm***SG 2932***Recess profile***SG 2937***Safety device***SG 2941***Wedge***SG 2944***Limit stop***SG 2945***Limit stop***SG 2946***Limit stop***SG 2962***Connection bridge***SG 2966***Spacer***SG 2967***Spacer***SG 2968***Spacer***SG 2969***Spacer***SG 2971***Rotation element sloping window***SG 2972***Spacer***SG 2973***Spacer***SG 2975***Pilot runner sloping window***SG 2976***Drive set sloping window***SG 2979***Brake sloping window***SG 2989***Connector***SG 3044***Clamp***SG 11154***Universal Smart Fix 120 mm***SG 11155***Universal Smart Fix 150 mm***SG 11156***Universal Smart Fix 200 mm***SG 11158***Countersunk head screw M4x12*

SG 2950



PRODUCT INFORMATION

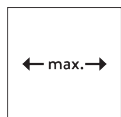
- **Operation:** motorised
- **Range:** S - L
- **Fitting:** ceiling, wall, recess
- **Colours:** white RAL 9016 or anodised aluminum, special colours possible
- **Fabrics:** refer to Silent Gliss fabric collection

Features:

- Optimised light control
- Various control options
- Sloping applications
- Louvre width: 127 mm (standard), 89 mm
- Vertical Waves
- Bendable

SYSTEM SPECIFICATIONS

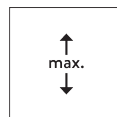
A. SYSTEM DIMENSIONS



6 m



Single Stack: 50 cm
Pair stack: 1.1 m






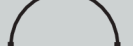

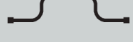


4 m









600 g per louvre

Max. system widths

		
	127 mm 89 mm	6 m 6 m
	127 mm 89 mm	6 m 6 m
	127 mm 89 mm	6 m 5 m
	127 mm 89 mm	5 m 5 m
	127 mm 89 mm	6 m 5 m
	127 mm 89 mm	5 m 4.5m

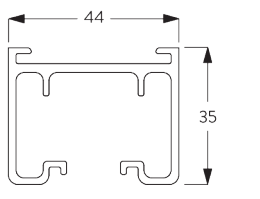
Stack sizes

													
		100	150	200	250	300	350	400	450	500	550	600	
127 mm		27	35	42	50	57	65	72	80	87	95	101	
		21	25	28	32	36	39	43	47	50	54	58	
89 mm		29	40	50	60	69	80	89	100	110	120	129	
		20	25	30	35	39	45	50	56	60	65	69	

(cm)

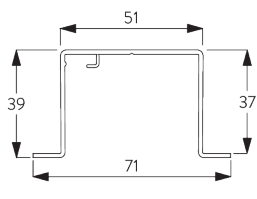
B. PROFILE

Profile and bending information



SG 2901

Profile

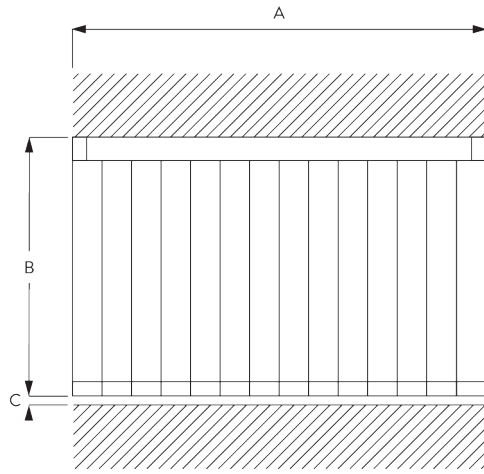


SG 2932

Recess profile

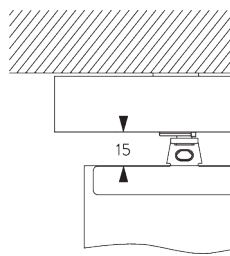


**C. HOW TO
MEASURE**



A: System width
B: System height
C: Distance between floor and fabric

Light gap

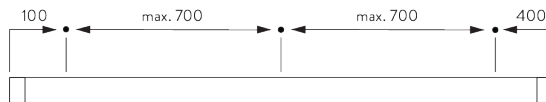


FITTING

**A. FITTING
INFORMATION**

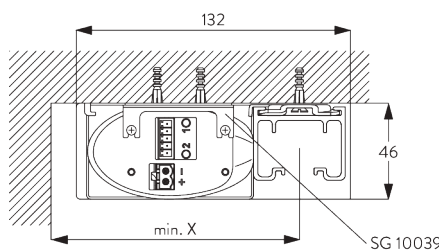
For detailed fitting information, visit the Silent Gliss website.

Fixing points

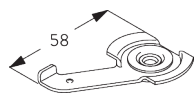


B. CEILING FITTING

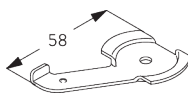
**Clamp SG 3033 /
SG 3044**



Min. wall distance louvres	X mm
89 mm	120
127 mm	120
Vertical Waves 89 mm	115
Vertical Waves 125 mm	140



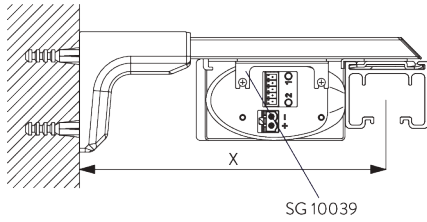
SG 3033
Clamp



SG 3044
Clamp

C. WALL FITTING

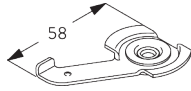
Smart Fix



Universal Smart Fix SG 11156 and clamp SG 3033 / SG 3044

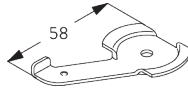
Screw SG 11158 (M4x12) needed.

Smart Fix	X mm
SG 11156	182-210
Min. wall distance louvres	
89 mm	150
127 mm	150
Vertical Waves 89 mm	115
Vertical Waves 125 mm	140



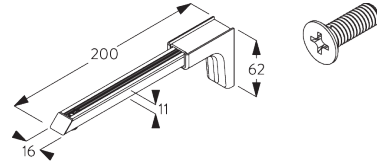
SG 3033

Clamp



SG 3044

Clamp



SG 11156

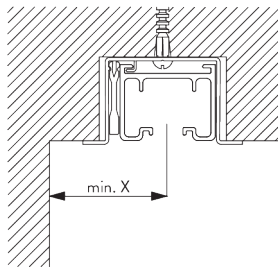
Universal Smart Fix 200 mm

SG 11158

Countersunk head screw
M4x12

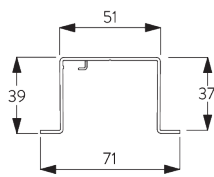
D. RECESS FITTING

Recess profile SG 2932



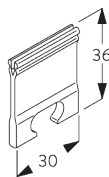
Recess profile SG 2932 can not be bent!
Larger recess for motor is necessary!
One wedge SG 2941 per fixing point.
For detailed recess fitting, visit the Silent Gliss website.

Min. wall distance louvres	X mm
89 mm	65
127 mm	85
Vertical Waves 89 mm	115
Vertical Waves 125 mm	140



SG 2932

Recess profile

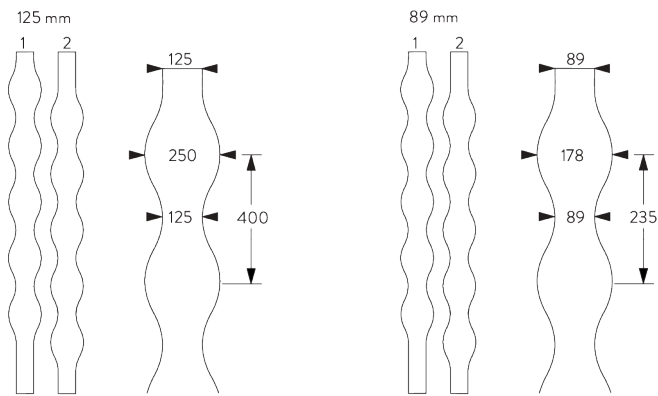
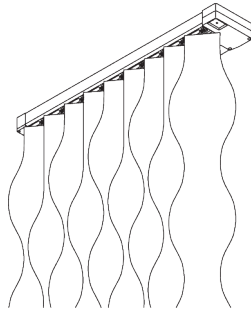


SG 2941

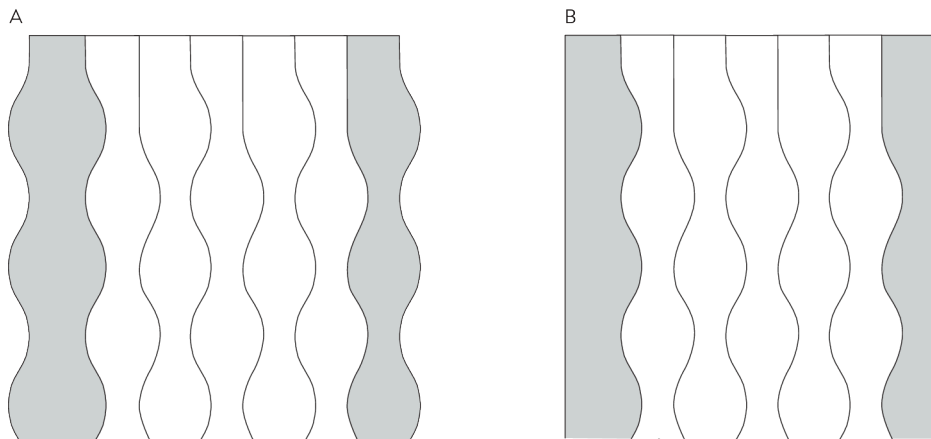
Wedge

SYSTEM OPTIONS

A. VERTICAL WAVES



3D Vertical Waves only applicable with 125 mm louvers.

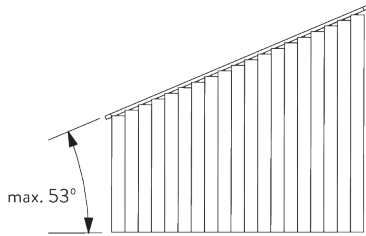


Wall ending

A: Wavy edge

B: Straight edge

B. SLOPING WINDOWS

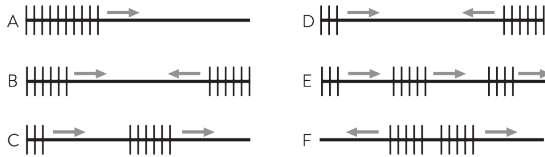


Maximum slope depends on louvre widths:

- 45° with 127 mm louvres
- 53° with 89 mm louvres

Not suitable with system option Vertical Waves.
Both the stack and the motor need to be at the top of the slope.

C. STACKING VARIATIONS



- A: Single stack in one direction
- B: Pair stack in two directions symmetrical
- C: Pair stack in one direction asymmetrical
- D: Pair stack in two directions asymmetrical
- E: Multiple stacking in one direction symmetrical or asymmetrical
- F: Centre stack

MOTORS & CONTROLS

A. MOTOR FEATURES

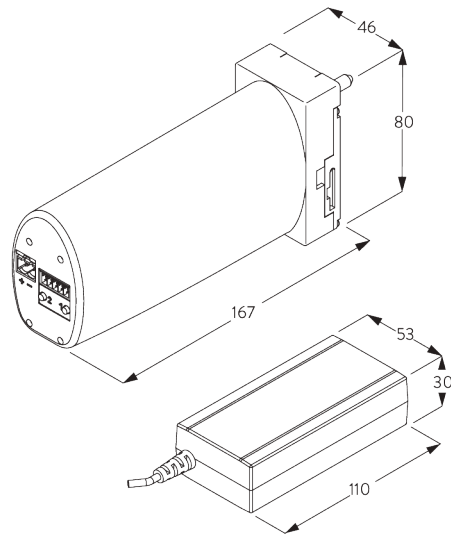
Motors	SG 9090	SG 9091
Motor Features		
Soft start / stop	●	●
Built-in receiver		●
Electronic end-stop	●	●
Electronic revolution counter (unlimited revolution)	●	●
IP class	IP 40	IP 40
Control Features		
Dry contact control	●	●
Dry contact and / or SG Control L		●
SG Control L (built-in receiver)		●
Suitable for most major home automation systems (with suitable interface)	●	●

B. MOTOR SPECIFICATIONS

Motors	Voltage	Current	System speed / sec	Frequency receiver
SG 9090	24 V DC	1.8 A	10 cm / sec	n/a
SG 9091	24 V DC	1.8 A	10 cm / sec	433/868/915 MHz

See website for wiring diagram.

C. MOTOR
DIMENSIONS



Motors SG 9090 / SG 9091 DC (24 V)
Power supply SG 11426 needed to operate the motors.

D. OPERATING
METHODS

See catalogue "controls" for details.

Wall Switch



System can be operated by fixed wall switch.

SG Control L



Various radio hand-held and wall transmitters available.



Silent Gliss Move App.

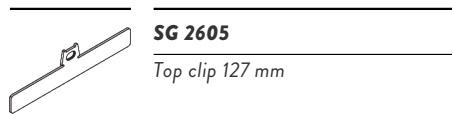
E. WIRING
DIAGRAMS



Refer to Silent Gliss website.

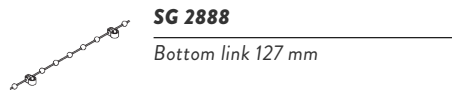
PARTS

A. STANDARD PARTS



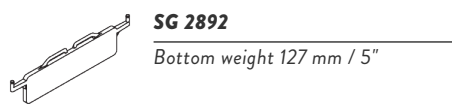
SG 2605

Top clip 127 mm



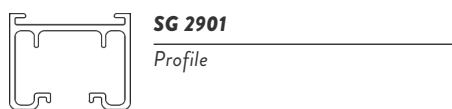
SG 2888

Bottom link 127 mm



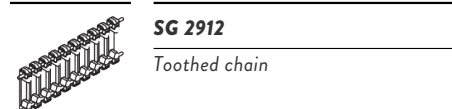
SG 2892

Bottom weight 127 mm / 5"



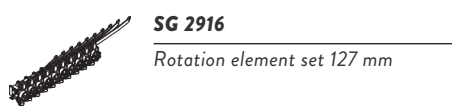
SG 2901

Profile



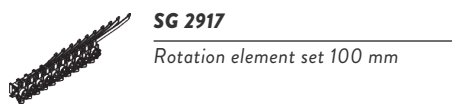
SG 2912

Toothed chain



SG 2916

Rotation element set 127 mm



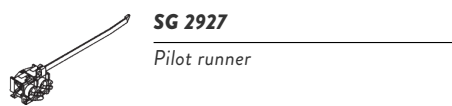
SG 2917

Rotation element set 100 mm



SG 2925

Chain connector



SG 2927

Pilot runner



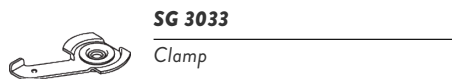
SG 2949

End stop



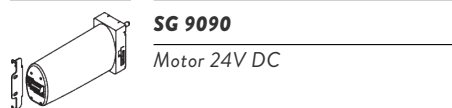
SG 2982

End stop



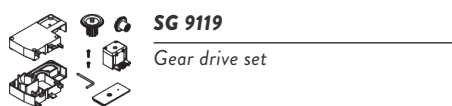
SG 3033

Clamp



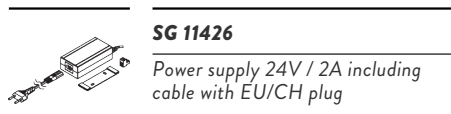
SG 9090

Motor 24V DC



SG 9119

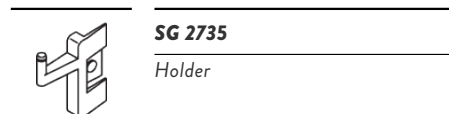
Gear drive set



SG 11426

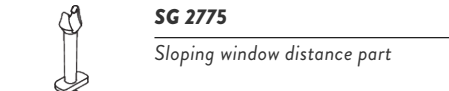
Power supply 24V / 2A including cable with EU/CH plug

B. OPTIONAL PARTS



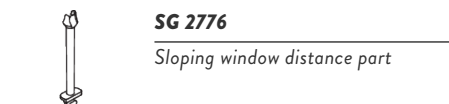
SG 2735

Holder



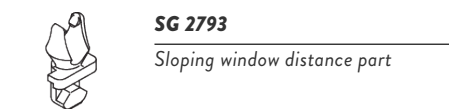
SG 2775

Sloping window distance part



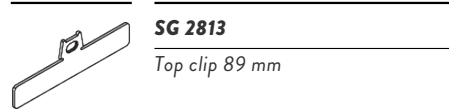
SG 2776

Sloping window distance part



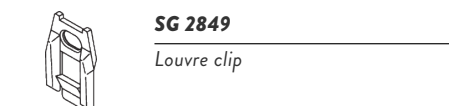
SG 2793

Sloping window distance part



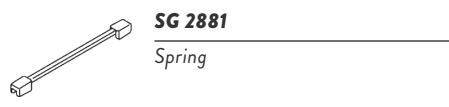
SG 2813

Top clip 89 mm



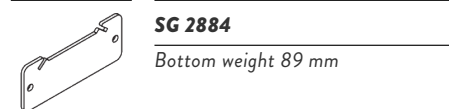
SG 2849

Louvre clip



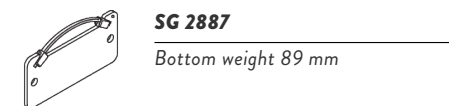
SG 2881

Spring



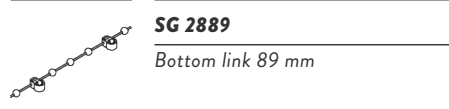
SG 2884

Bottom weight 89 mm



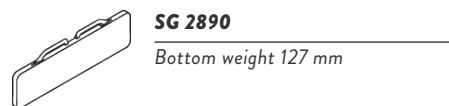
SG 2887

Bottom weight 89 mm



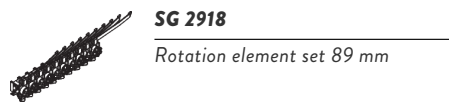
SG 2889

Bottom link 89 mm



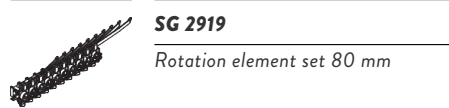
SG 2890

Bottom weight 127 mm



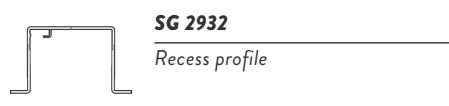
SG 2918

Rotation element set 89 mm






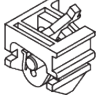




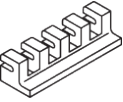
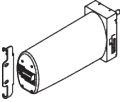
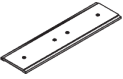
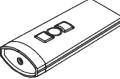





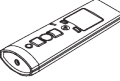

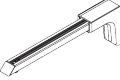
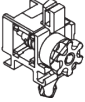
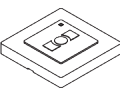



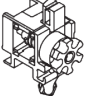
SG 2919

Rotation element set 80 mm



SG 2932

Recess profile

	SG 2937 Safety device		SG 2976 Drive set sloping window
	SG 2941 Wedge		SG 2979 Brake sloping window
	SG 2944 Limit stop		SG 2989 Connector
	SG 2945 Limit stop		SG 3044 Clamp
	SG 2946 Limit stop		SG 9091 Motor 24V DC, radio receiver
	SG 2962 Connection bridge		SG 10300 Radio hand held 1 channel
	SG 2966 Spacer		SG 10302 Radio hand held 5+1 channel
	SG 2967 Spacer		SG 10303 Radio hand held 10+2+1 channel
	SG 2968 Spacer		SG 10804 Radio hand held 15+5+1 channel
	SG 2969 Spacer		SG 11156 Universal Smart Fix 200 mm
	SG 2971 Rotation element sloping window		SG 11480 Radio wall transmitter 1 channel
	SG 2972 Spacer		SG 11490 Radio wall transmitter 5+1 channel
	SG 2973 Spacer		
	SG 2975 Pilot runner sloping window		

The Architects of Silence

Silent Gliss is the leading global supplier of premium interior window treatments. Since 1952 we have been tirelessly committed to the development of the world's smoothest, quietest systems using state of the art technology.

Driven by customer needs, Silent Gliss offers functional and durable products. Expert technical advice coupled with installation and support services complete the offer. Silent Gliss stands for innovative, sustainable, tailor made solutions, exceptional design and first-class quality.

Silent Gliss GmbH

Belgradplatz 5 / Office 3
1100 Vienna

Austria

T +43 (0) 1 615 02 73

F +43 (0) 1 615 02 73 88

info@silentgliss.at

silentgliss.at

silentgliss-cee.com

silentgliss-russia.com