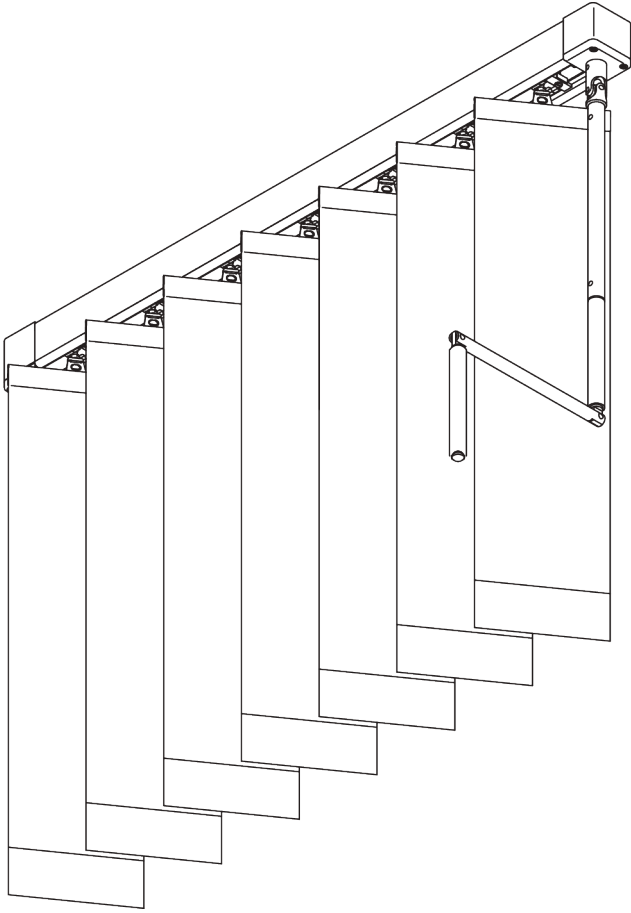


SG 2900



PRODUCT INFORMATION

- **Operation:** Crank
- **Range:** S - L
- **Fitting:** ceiling, wall, recess
- **Colours:** white RAL 9016 or anodised aluminum, special colours possible
- **Fabrics:** refer to Silent Gliss fabric collection

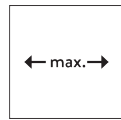
Features:

- Optimised light control
- Mono controlled
- Sloping applications
- Louvre width: 127 mm (standard), 89 mm
- Vertical Waves
- Bendable

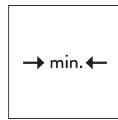
04/2024/V2

SYSTEM SPECIFICATIONS

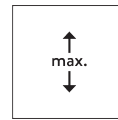
A. SYSTEM DIMENSIONS



6 m



Single Stack: 50 cm
Pair stack: 1.1 m



4 m



600 g per louvre

Max. system widths

	127 mm 89 mm	6 m 6 m
	127 mm 89 mm	6 m 6 m
	127 mm 89 mm	6 m 5 m
	127 mm 89 mm	5 m 5 m
	127 mm 89 mm	6 m 5 m

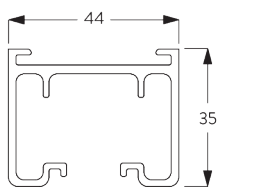
Stack sizes

		100	150	200	250	300	350	400	450	500	550	600	
127 mm		27	35	42	50	57	65	72	80	87	95	101	
		21	25	28	32	36	39	43	47	50	54	58	
89 mm		29	40	50	60	69	80	89	100	110	120	129	
		20	25	30	35	39	45	50	56	60	65	69	

(cm)

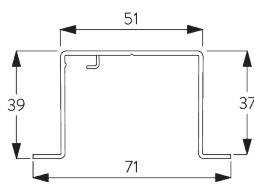
B. PROFILE

Profile and bending information



SG 2901

Profile

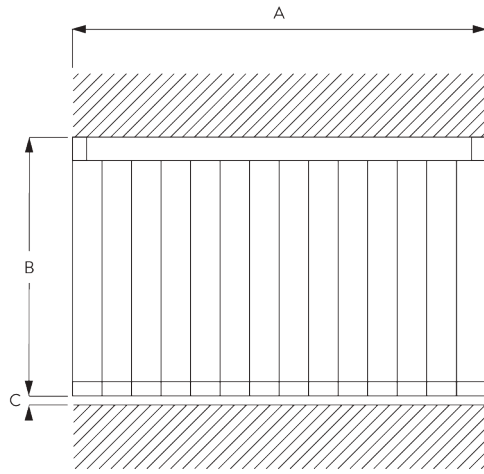


SG 2932

Recess profile



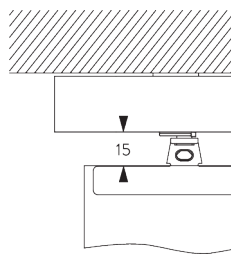
**C. HOW TO
MEASURE**



A: System width
B: System height
C: Distance between floor and fabric

Crank height approx. 110 cm from the floor (crank extended)!

Light gap

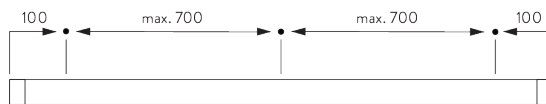


FITTING

**A. FITTING
INFORMATION**

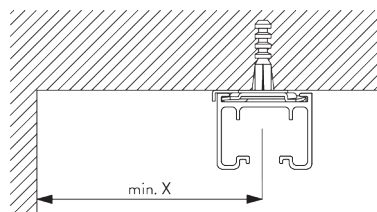
For detailed fitting information, visit the Silent Gliss website.

Fixing points

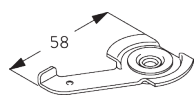


B. CEILING FITTING

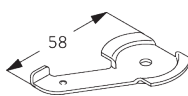
Clamp SG 3033 / SG 3044



Min. wall distance louvres	X mm
89 mm	65
127 mm	85
Vertical Waves 89 mm	115
Vertical Waves 125 mm	140



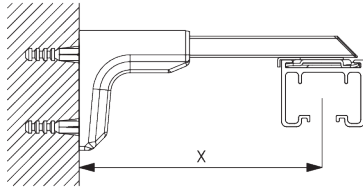
SG 3033
Clamp



SG 3044
Clamp

C. WALL FITTING

Smart Fix

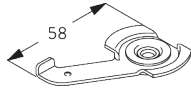


**Universal Smart Fix SG 11154 - SG 11156
and clamp SG 3033 / SG 3044**
Screw SG 11158 (M4x12) needed.

Smart Fix	X mm
SG 11154	102-130
SG 11155	132-160
SG 11156	182-210

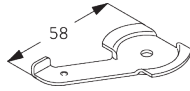
Min. wall distance louvres

Vertical Waves 89 mm	115
Vertical Waves 125 mm	140



SG 3033

Clamp



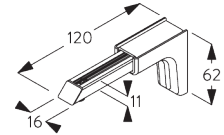
SG 3044

Clamp



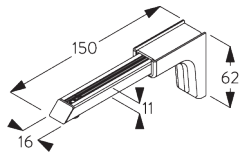
SG 11158

Countersunk head screw
M4x12



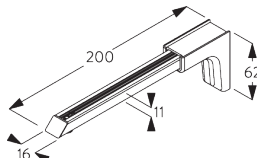
SG 11154

Universal Smart Fix 120 mm



SG 11155

Universal Smart Fix 150 mm

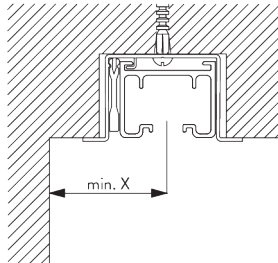


SG 11156

Universal Smart Fix 200 mm

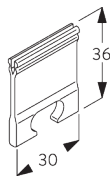
D. RECESS FITTING

Recess profile SG 2932



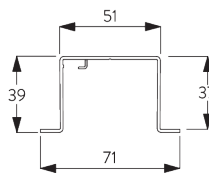
Recess profile SG 2932 can not be bent!
One wedge SG 2941 per fixing point.
For detailed recess fitting, visit the Silent Gliss website.

Min. wall distance louvres	X mm
89 mm	65
127 mm	85
Vertical Waves 89 mm	115
Vertical Waves 125 mm	140



SG 2941

Wedge

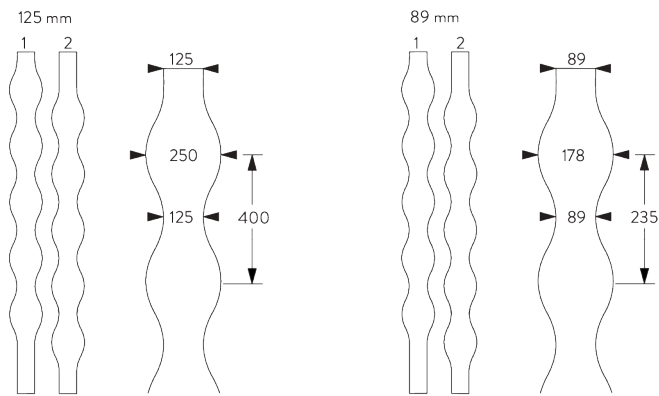
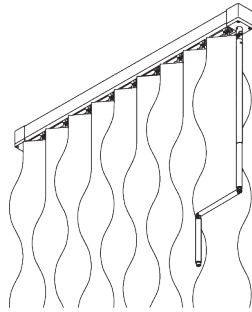


SG 2932

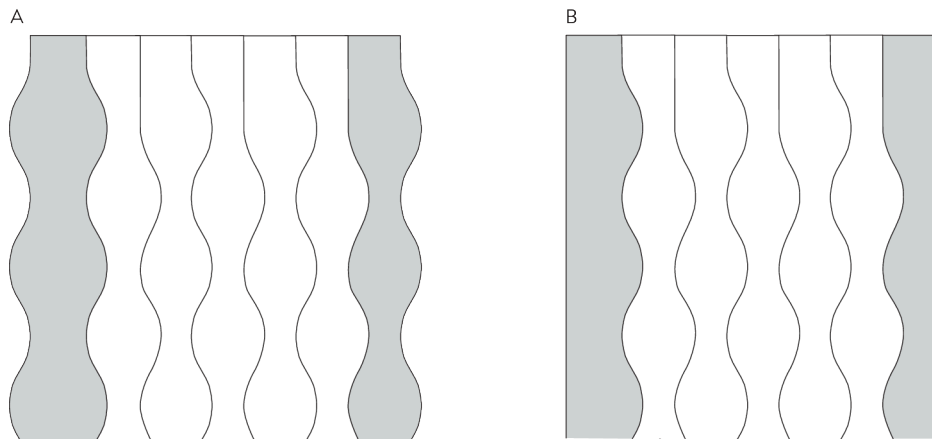
Recess profile

SYSTEM OPTIONS

A. VERTICAL WAVES



3D Vertical Waves only applicable with 125 mm louvres.

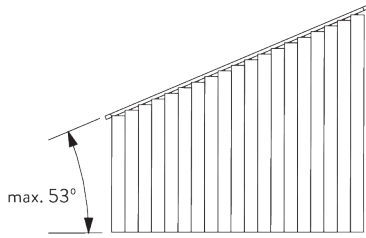


Wall ending

A: Wavy edge

B: Straight edge

**B. SLOPING
WINDOWS**

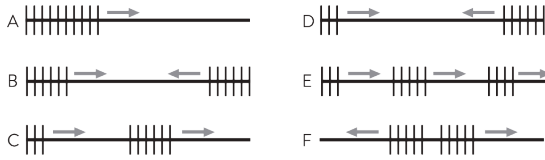


Maximum slope depends on louvre widths:

- 45° with 127 mm louvres
- 53° with 89 mm louvres

Not suitable with system option Vertical Waves.

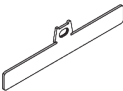

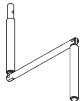
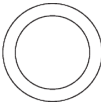

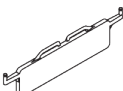
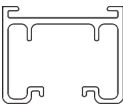




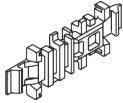
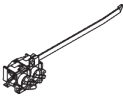

**C. STACKING
VARIATIONS**



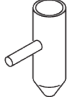


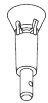
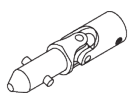



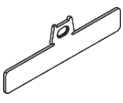
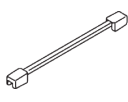
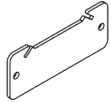
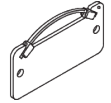

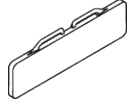
- A: Single stack in one direction
- B: Pair stack in two directions symmetrical
- C: Pair stack in one direction asymmetrical
- D: Pair stack in two directions asymmetrical
- E: Multiple stacking in one direction symmetrical or asymmetrical
- F: Centre stack

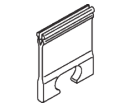
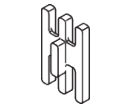
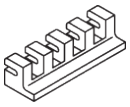
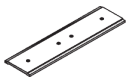
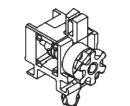
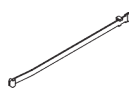
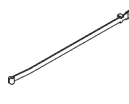
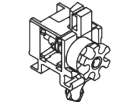
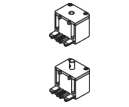
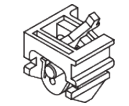
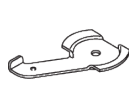
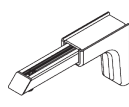
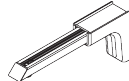
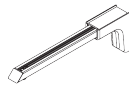
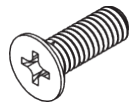
PARTS

A. STANDARD PARTS

	SG 2605 Top clip 127 mm
	SG 2742 Crank joint
	SG 2756 Crank handle
	SG 2759 Profile
	SG 2888 Bottom link 127 mm
	SG 2892 Bottom weight 127 mm / 5"
	SG 2901 Profile
	SG 2912 Toothed chain
	SG 2916 Rotation element set 127 mm
	SG 2917 Rotation element set 100 mm
	SG 2920 Crank drive set
	SG 2925 Chain connector
	SG 2927 Pilot runner
	SG 2949 End stop

B. OPTIONAL PARTS

	SG 2182 Sleeve
	SG 2735 Holder
	SG 2742 Crank joint
	SG 2754 Detachable crank hood
	SG 2755 Crank joint
	SG 2775 Sloping window distance part
	SG 2776 Sloping window distance part
	SG 2793 Sloping window distance part
	SG 2813 Top clip 89 mm
	SG 2881 Spring
	SG 2884 Bottom weight 89 mm
	SG 2887 Bottom weight 89 mm
	SG 2889 Bottom link 89 mm
	SG 2890 Bottom weight 127 mm

**SG 2918***Rotation element set 89 mm***SG 2919***Rotation element set 80 mm***SG 2932***Recess profile***SG 2937***Safety device***SG 2941***Wedge***SG 2944***Limit stop***SG 2945***Limit stop***SG 2946***Limit stop***SG 2962***Connection bridge***SG 2966***Spacer***SG 2967***Spacer***SG 2968***Spacer***SG 2969***Spacer***SG 2971***Rotation element sloping window***SG 2972***Spacer***SG 2973***Spacer***SG 2975***Pilot runner sloping window***SG 2976***Drive set sloping window***SG 2979***Brake sloping window***SG 2989***Connector***SG 3044***Clamp***SG 11154***Universal Smart Fix 120 mm***SG 11155***Universal Smart Fix 150 mm***SG 11156***Universal Smart Fix 200 mm***SG 11158***Countersunk head screw M4x12*