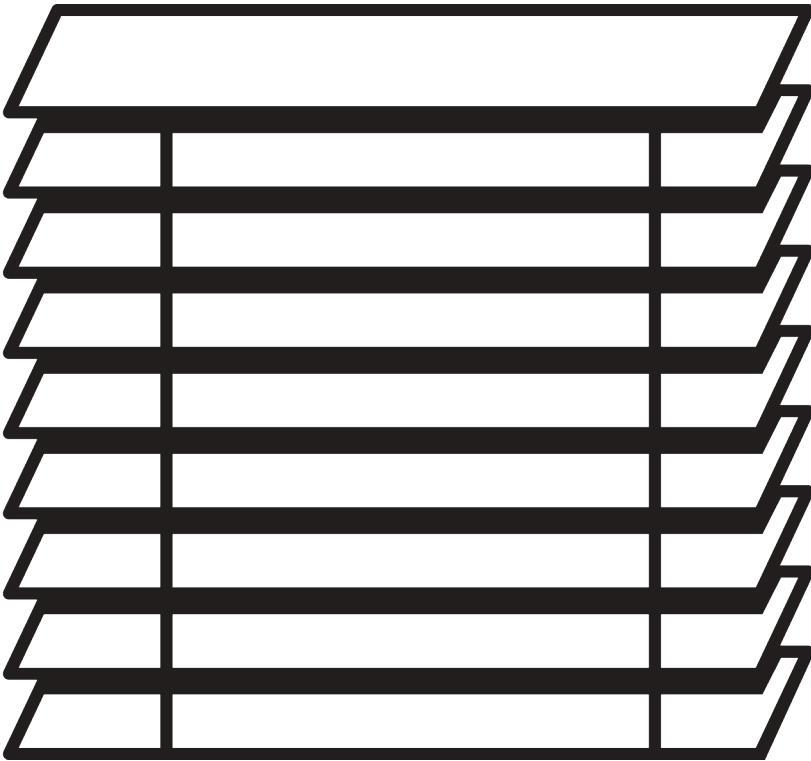


VENETIAN BLIND SYSTEMS



GENERAL NOTES

Dimensions

- *Measurements are in mm except where indicated.*




Fitting

- *Installation by qualified fitter only.*
- *Number of brackets and fitting positions / fixing points vary depending on fitting surface, system weight, slate type, screw / fixing type and obstacles.*
- *Qualified fitter must use appropriate screws / fixings for each situation.*
- *Profile lip if applicable to be installed to room side.*
- *Electrical installations must be carried out according to Silent Gliss wiring diagrams and conform to local regulations.*
- *Check space for cables and plugs!*

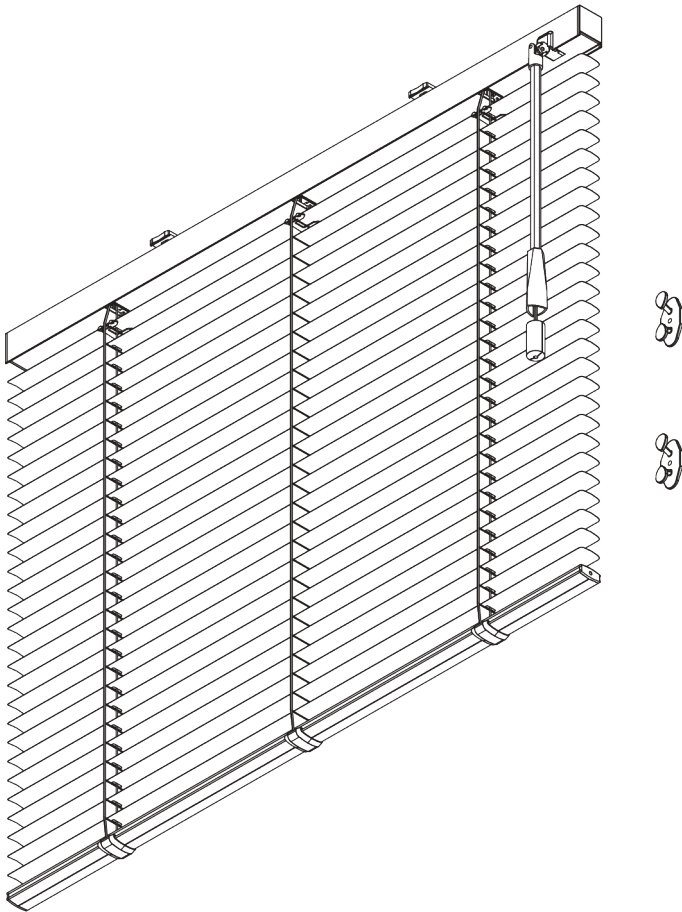
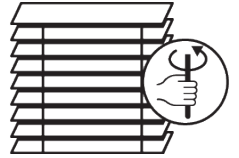
Child Safety

- *All relevant Silent Gliss systems correspond to child safety EN 13120.*
- *All parties involved must comply with EN 13120.*

APPLICATION CHART

<u>PAGE</u>	<u>SYSTEM</u>	<u>OPERATION</u>	<u>DIMENSION</u>	← max. →	↑ max. ↓
5	SG 8110		S - M	3 m	3 m
13	SG 8300		S - M	3 m	3 m
21	SG 8250		S - M	3 m	3.4 m

SG 8110



PRODUCT INFORMATION

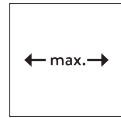
- **Operation** control wand
- **Range:** S - M
- **Fitting:** ceiling, wall
- **Colours:** refer to Silent Gliss slat collection

Features:

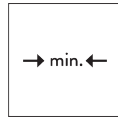
- Optimised light control
- Convenient turning of the slats using the control wand
- Multifunctional control wand
- Slat width: 25 mm (standard), 16 mm
- Privacy control (PC)

SYSTEM SPECIFICATIONS

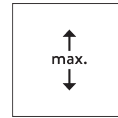
A. SYSTEM DIMENSIONS



25 mm slats: 3 m
16 mm slats: 2.5 m



28 cm

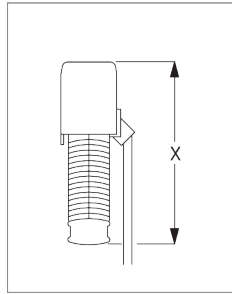




25 mm slats: 3 m
16 mm slats: 2.5 m



25 mm slats: 7 m²
16 mm slats: 5 m²

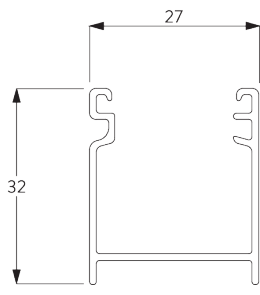
Slat stack heights

							
		50	100	150	200	250	300
25 mm (PC)	X	7	9	11	13	15	17
16 mm	X	7	9	11	13	15	

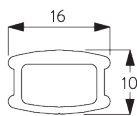
(cm)

B. PROFILE

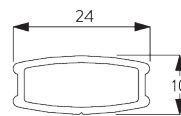
Profile information



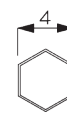
SG 10037
Profile



SG 8003
Bottom bar 16 mm

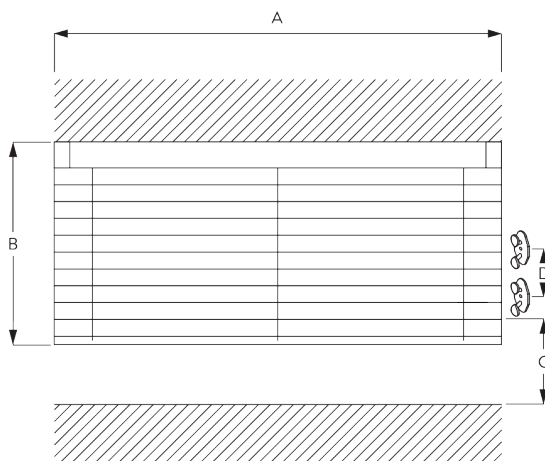


SG 8004
Bottom bar 24 mm



SG 8120
Shaft

C. HOW TO MEASURE



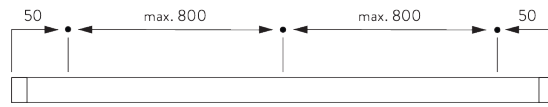
A: System width
B: System height
C: Cleats SG 10742 min. 150 cm above floor
D: 7 - 35 cm depending on system height

FITTING

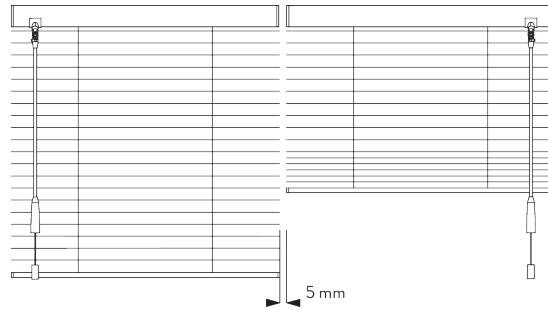
A. FITTING INFORMATION

For detailed fitting information, visit the Silent Gliss website.

Fixing points



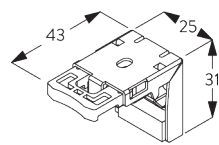
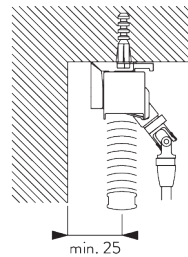
Side-by-side fitting



Min. distance: 5 mm

B. CEILING FITTING

Bracket SG 10101

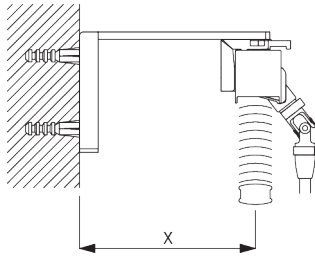


SG 10101

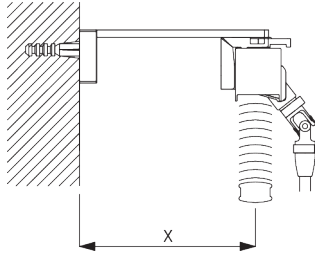
Bracket

C. WALL FITTING

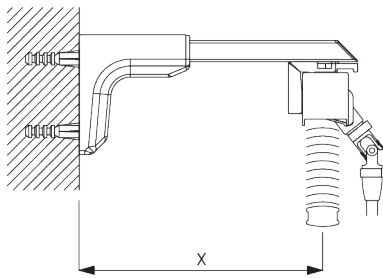
Smart Fix



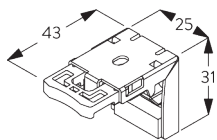
Smart Fix SG 11200 - SG 11201 and bracket SG 10101:
Screw SG 10395 (M4x6) needed.



Square Smart Fix SG 11210 - SG 11211 and bracket SG 10101:
Screw SG 10395 (M4x6) needed.



Universal Smart Fix SG 11154 - SG 11156 and bracket SG 10101:
Screw SG 10407 (M4x10) needed.



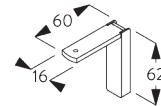
SG 10101
Bracket



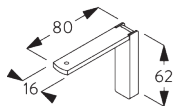
SG 10395
Pan head screw M4x6



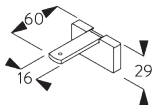
SG 10407
Pan head screw M4x10



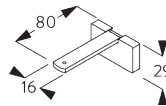
SG 11200
Smart Fix 60 mm



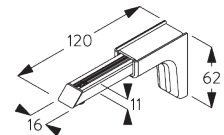
SG 11201
Smart Fix 80 mm



SG 11210
Square Smart Fix 60 mm

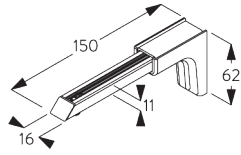


SG 11211
Square Smart Fix 80 mm

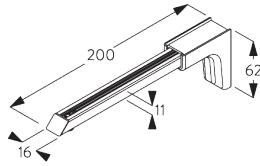


SG 11154
Universal Smart Fix 120 mm

Smart Fix	X mm
SG 11200 / SG 11210	57-59
SG 11201 / SG 11211	77-79
SG 11154	107-135
SG 11155	137-165
SG 11156	187-215

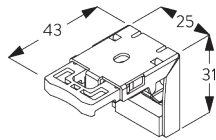
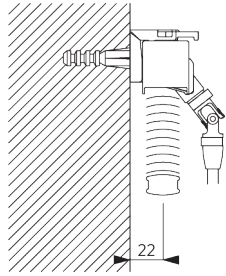


SG 11155
Universal Smart Fix 150 mm



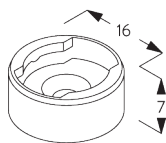
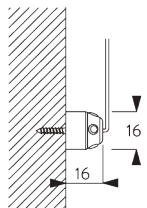
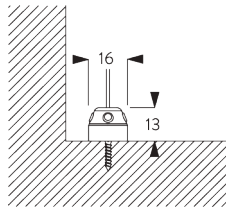
SG 11156
Universal Smart Fix 200 mm

Bracket SG 10101

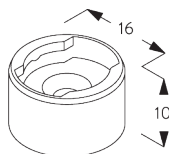


SG 10101
Bracket

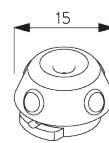
**D. FITTING WITH
SIDE GUIDE
OPTION**



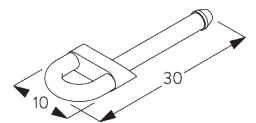
SG 8235
Side guide wire base short



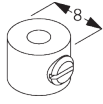
SG 8236
Side guide wire base long



SG 8237
Side guide wire holder

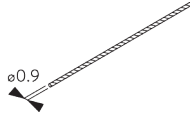


SG 8241
Side guide eyelet



SG 8249

Side guide device

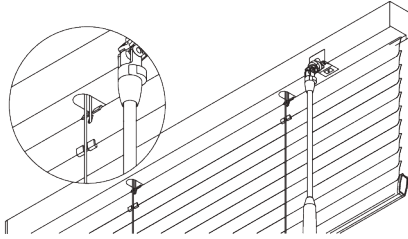


SG 10120

Side guide wire \varnothing 0.9 mm

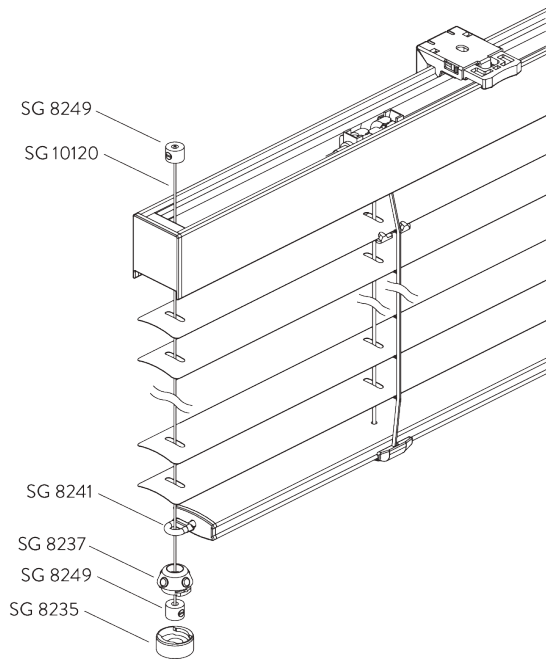
SYSTEM OPTIONS

A. PRIVACY CONTROL (PC)



To avoid direct light ingress when slats are closed.
For 25 mm slats only. Not applicable with side guides.

B. SIDE GUIDES



Additional parts:



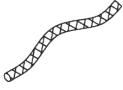


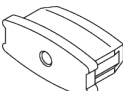
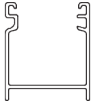
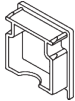
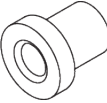
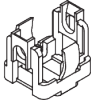
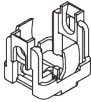
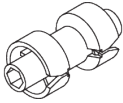
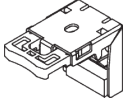
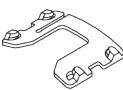
- 2x SG 8235 Side guide wire base short
- 2x SG 8237 Side guide wire holder
- 2x SG 8241 Side guide eyelet
- 4x SG 8249 Side guide device
- 2x SG 10120 Side guide wire \varnothing 0.9 mm

Note:

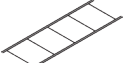



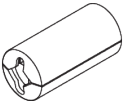


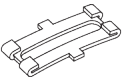

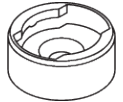
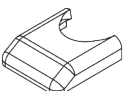

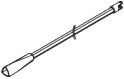
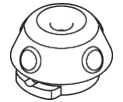
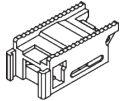
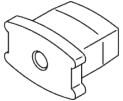
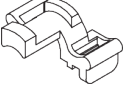
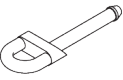
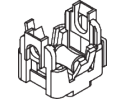
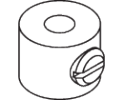
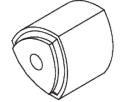
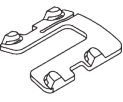
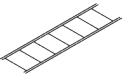
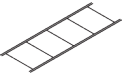

- Up to 15° from vertical

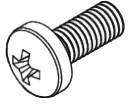
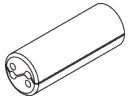
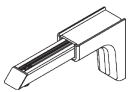
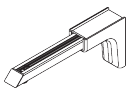
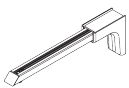
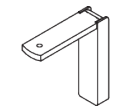
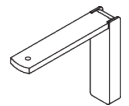
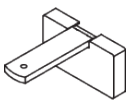
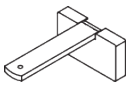
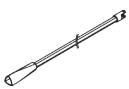
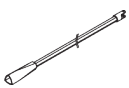
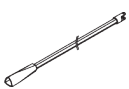
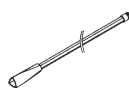
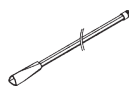
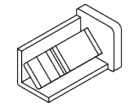
PARTS

A. STANDARD PARTS

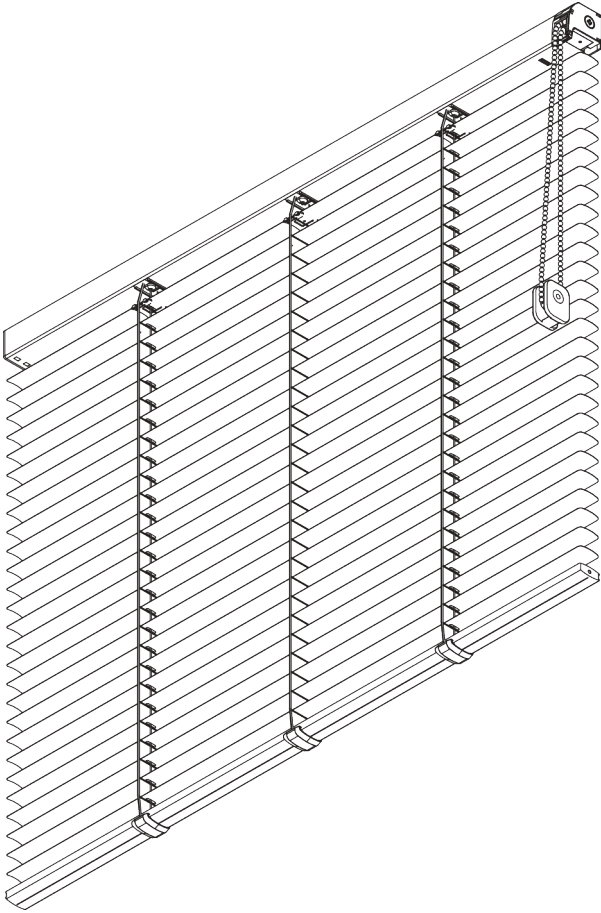
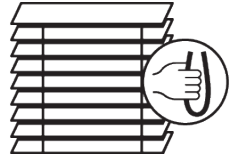
	SG 8004 Bottom bar 24 mm
	SG 8007 Slat 25 mm
	SG 8011 Lift cord ø 1.2 mm
	SG 8013 Bottom clip 25 mm
	SG 8120 Shaft
	SG 8239 End cover 25 mm
	SG 10037 Profile
	SG 10077 End cover
	SG 10081 Shaft stop
	SG 10086 Tilter holder without pulley
	SG 10087 Tilter holder with pulley
	SG 10088 Tilter
	SG 10101 Bracket
	SG 10104 Slat clip 25 mm

B. OPTIONAL PARTS

	SG 10117 Ladder cord 25 mm		SG 8003 Bottom bar 16 mm
	SG 10742 Child safety cord cleat		SG 8006 Slat 16 mm
	SG 10748 Child safety break away cord connector		SG 8012 Bottom clip 16 mm
	SG 10898 Child safety cord bush		SG 8109 Slat clip 25 mm
	SG 11491 Gear box		SG 8235 Side guide wire base short
	SG 11492 Gear box cover		SG 8236 Side guide wire base long
	SG 11496 Control wand 680 mm		SG 8237 Side guide wire holder
	SG 11509 Cord stop		SG 8238 End cover 16 mm
	SG 11510 Cord stop cover		SG 8241 Side guide eyelet
	SG 11511 Tilter holder with pulley		SG 8249 Side guide device
	SG 11512 Cord end cap		SG 10109 Slat clip 16 mm
			SG 10116 Ladder cord 16 mm
			SG 10118 Ladder cord 25 mm PC
			SG 10120 Side guide wire ø 0.9 mm

**SG 10395***Pan head screw M4x6***SG 10407***Pan head screw M4x10***SG 10745***Child safety break away cord connector***SG 11154***Universal Smart Fix 120 mm***SG 11155***Universal Smart Fix 150 mm***SG 11156***Universal Smart Fix 200 mm***SG 11200***Smart Fix 60 mm***SG 11201***Smart Fix 80 mm***SG 11210***Square Smart Fix 60 mm***SG 11211***Square Smart Fix 80 mm***SG 11494***Control wand 320 mm***SG 11495***Control wand 480 mm***SG 11497***Control wand 880 mm***SG 11498***Control wand 1080 mm***SG 11499***Control wand 1280 mm***SG 11501***Extension 900 mm***SG 11505***Control wand for extension 580 mm***SG 11506***Control wand for extension 780 mm***SG 11516***Wedge*

SG 8300



PRODUCT INFORMATION

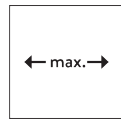
- **Operation:** chain
- **Range:** S - M
- **Fitting:** ceiling, wall
- **Colours:** refer to Silent Gliss slat collection

Features:

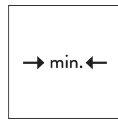
- Optimised light control
- Mono controlled
- Stainless steel bead chain
- Slat width: 25 mm (standard), 16 mm

SYSTEM SPECIFICATIONS

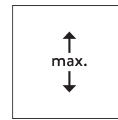
A. SYSTEM DIMENSIONS



3 m



50 cm



3 m



4.5 m²

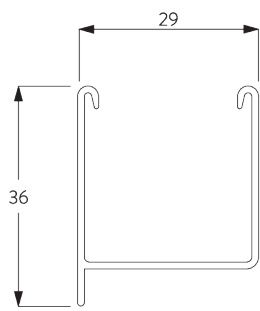
Slat stack heights

		50	100	150	200	250	300
16 / 25 mm	X	7	9	11	13	15	17

(cm)

B. PROFILE

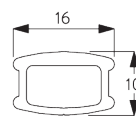
Profile information



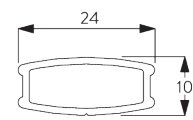
SG 8301
Profile



SG 8214
Profile ø 18 mm

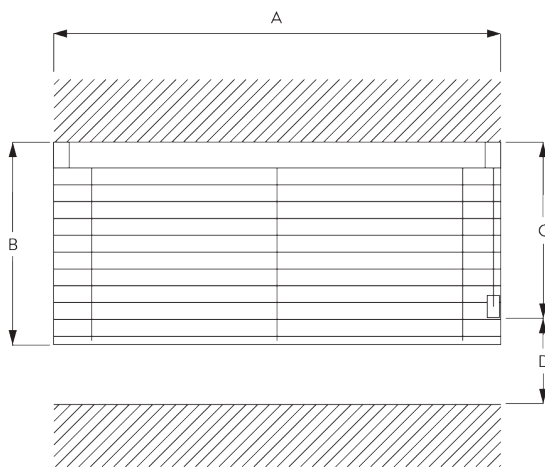


SG 8003
Bottom bar 16 mm



SG 8004
Bottom bar 24 mm

C. HOW TO MEASURE



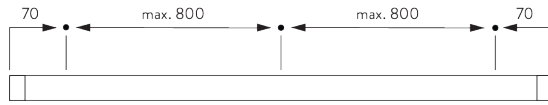
- A: System width
- B: System height
- C: Chain height
- D: Safety Retainer SG 10731 min. 150 cm above floor

FITTING OPTIONS

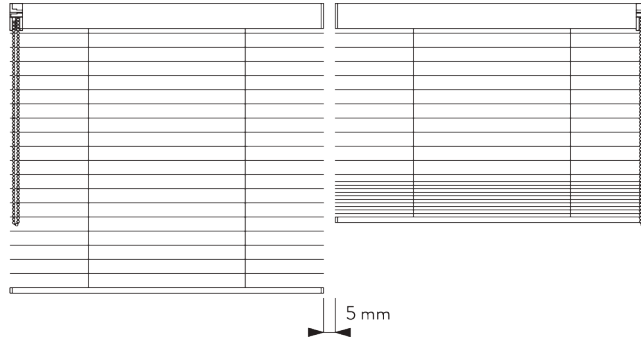
A. FITTING INFORMATION

For detailed fitting information, visit the *Silent Gliss* website.

Fixing points



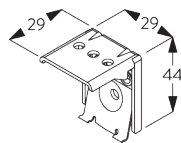
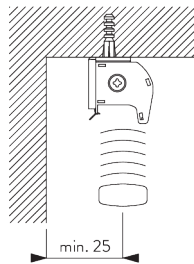
Side-by-side fitting



Min. distance: 5 mm

B. CEILING FITTING

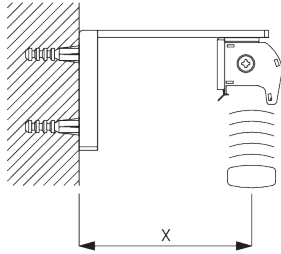
Bracket SG 8302



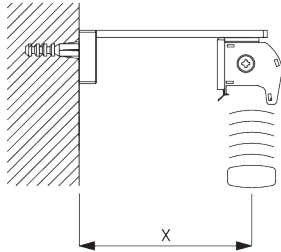
SG 8302
Bracket

C. WALL FITTING

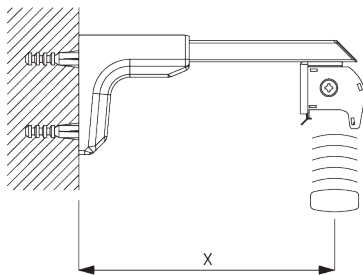
Smart Fix



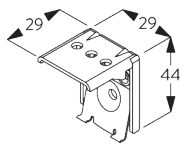
Smart Fix SG 11200 - SG 11201 and bracket SG 8302:
Screw SG 10395 (M4x6) needed.



**Square Smart Fix SG 11210 - SG 11211
and bracket SG 8302:**
Screw SG 10395 (M4x6) needed.



**Universal Smart Fix SG 11154 - SG 11156
and bracket SG 8302:**
Screw SG 10407 (M4x10) needed.



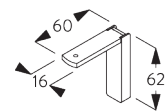
SG 8302
Bracket



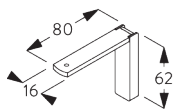
SG 10395
Pan head screw M4x6



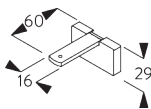
SG 10407
Pan head screw M4x10



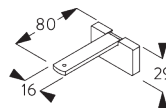
SG 11200
Smart Fix 60 mm



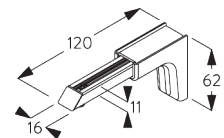
SG 11201
Smart Fix 80 mm



SG 11210
Square Smart Fix 60 mm

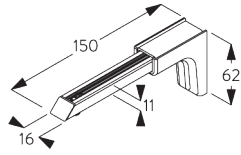


SG 11211
Square Smart Fix 80 mm

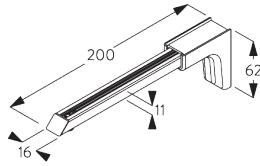


SG 11154
Universal Smart Fix 120 mm

Smart Fix	X mm
SG 11200 / SG 11210	59
SG 11201 / SG 11211	79
SG 11154	109-137
SG 11155	139-167
SG 11156	189-217

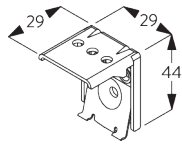
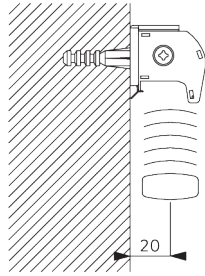


SG 11155
Universal Smart Fix 150 mm



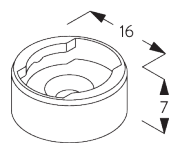
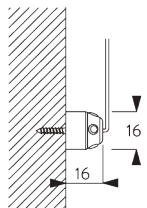
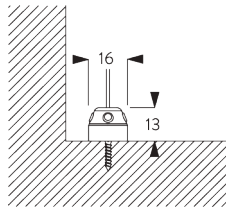
SG 11156
Universal Smart Fix 200 mm

Bracket SG 8302

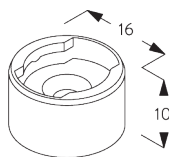


SG 8302
Bracket

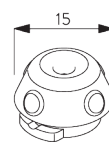
**D. FITTING WITH
SIDE GUIDE
OPTION**



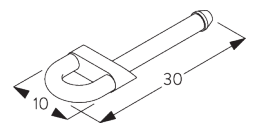
SG 8235
Side guide wire base short



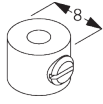
SG 8236
Side guide wire base long



SG 8237
Side guide wire holder

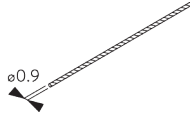


SG 8241
Side guide eyelet



SG 8249

Side guide device

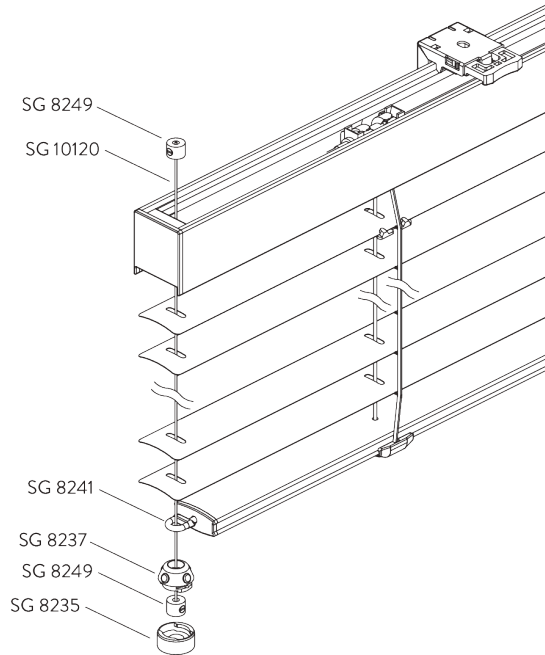


SG 10120

Side guide wire \varnothing 0.9 mm

SYSTEM OPTIONS

A. SIDE GUIDES



Additional parts:


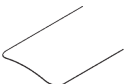
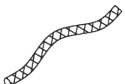


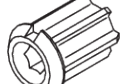


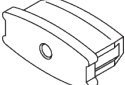


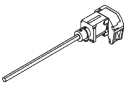
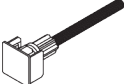
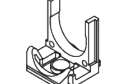
- 2x SG 8235 Side guide wire base short
- 2x SG 8237 Side guide wire holder
- 2x SG 8241 Side guide eyelet
- 4x SG 8249 Side guide device
- 2x SG 10120 Side guide wire \varnothing 0.9 mm

Note:







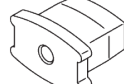
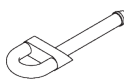

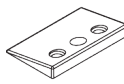
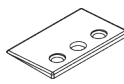
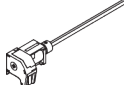

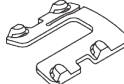
- Up to 15° from vertical

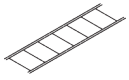
PARTS

A. STANDARD PARTS

	SG 8004 Bottom bar 24 mm
	SG 8007 Slat 25 mm
	SG 8011 Lift cord ø 1.2 mm
	SG 8013 Bottom clip 25 mm
	SG 8214 Profile ø 18 mm
	SG 8215 Tube adapter
	SG 8222 Ring
	SG 8224 Pin
	SG 8239 End cover 25 mm
	SG 8301 Profile
	SG 8302 Bracket
	SG 8305 Chain drive right
	SG 8317 Spindle left
	SG 8321 Support

B. OPTIONAL PARTS

	SG 8003 Bottom bar 16 mm
	SG 8006 Slat 16 mm
	SG 8012 Bottom clip 16 mm
	SG 8235 Side guide wire base short
	SG 8236 Side guide wire base long
	SG 8237 Side guide wire holder
	SG 8238 End cover 16 mm
	SG 8241 Side guide eyelet
	SG 8249 Side guide device
	SG 8262 Spacer 10°
	SG 8263 Spacer 4°
	SG 8306 Chain drive left
	SG 8316 Spindle right
	SG 10109 Slat clip 16 mm

**SG 10116**

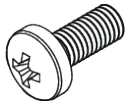
Ladder cord 16 mm

**SG 10120**

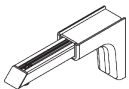
Side guide wire ø 0.9 mm

**SG 10395**

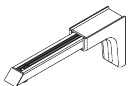
Pan head screw M4x6

**SG 10407**

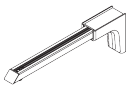
Pan head screw M4x10

**SG 11154**

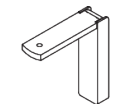
Universal Smart Fix 120 mm

**SG 11155**

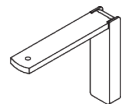
Universal Smart Fix 150 mm

**SG 11156**

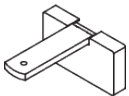
Universal Smart Fix 200 mm

**SG 11200**

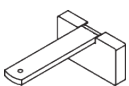
Smart Fix 60 mm

**SG 11201**

Smart Fix 80 mm

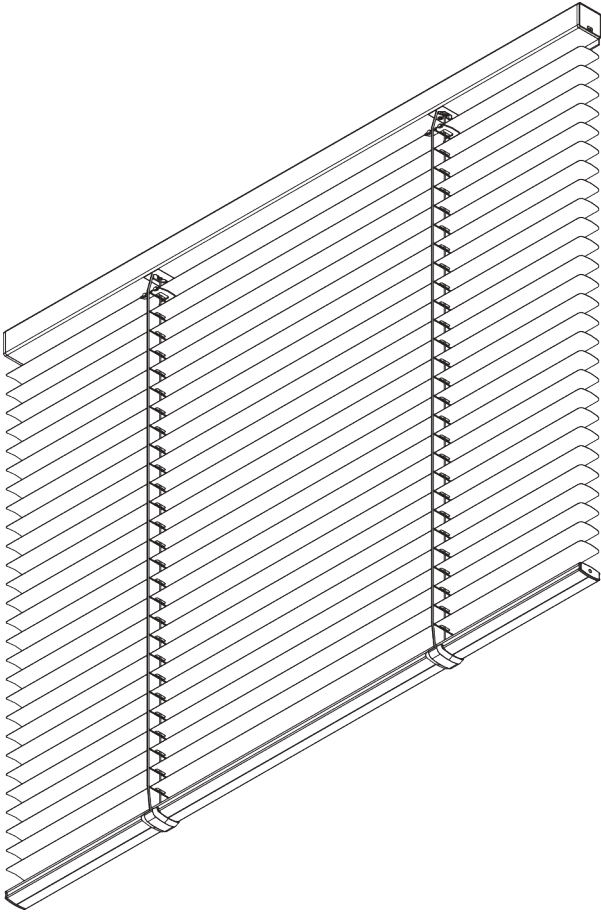
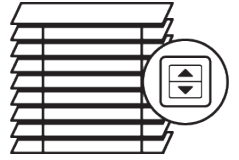
**SG 11210**

Square Smart Fix 60 mm

**SG 11211**

Square Smart Fix 80 mm

SG 8250



PRODUCT INFORMATION

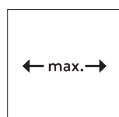
- **Operation:** motorised
- **Range:** S - M
- **Fitting:** ceiling, wall
- **Colours:** refer to Silent Gliss slat collection

Features:

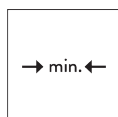
- Optimised light control
- Various control options
- Slat width: 25 mm (standard), 16 mm

SYSTEM SPECIFICATIONS

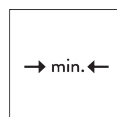
A. SYSTEM DIMENSIONS



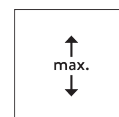
3 m



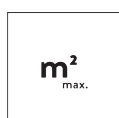
65 cm
(up to a height of 2 m)



80 cm
(up to a height of 3.4 m)



3.4 m



5 m²

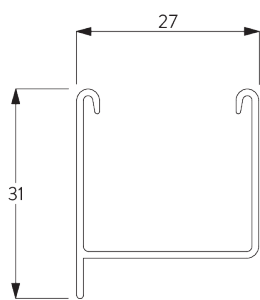
Slat stack heights

	50	100	150	200	250	300	340	
16 / 25 mm	X	6	8	10	12	14	15	17

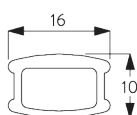
(cm)

B. PROFILE

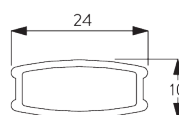
Profile information



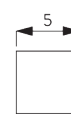
SG 8102
Profile



SG 8003
Bottom bar 16 mm

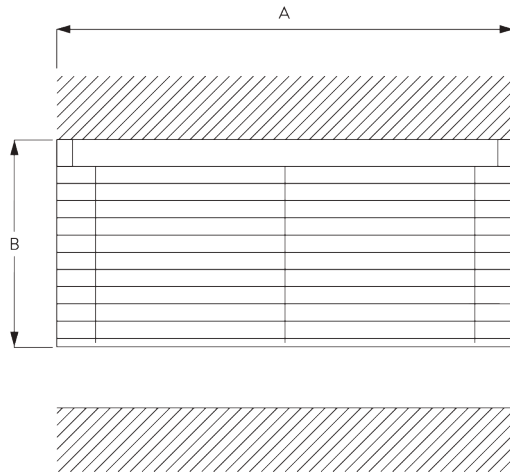


SG 8004
Bottom bar 24 mm



SG 8025
Shaft

**C. HOW TO
MEASURE**



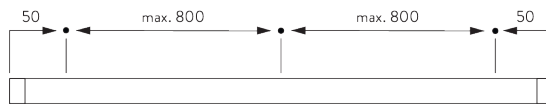
A: System width
B: System height

FITTING

**A. FITTING
INFORMATION**

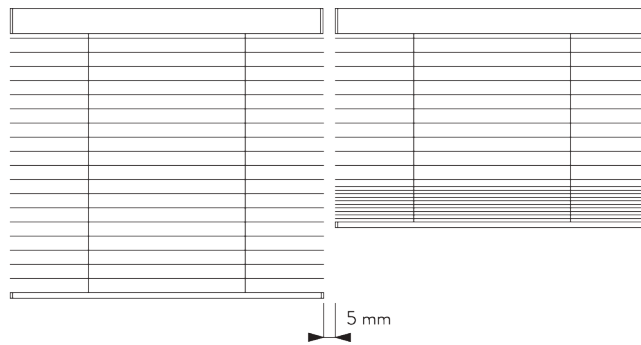
For detailed fitting information, visit the Silent Gliss website.

Fixing points



Note:
Never position the brackets SG 8201 on the take up reels.

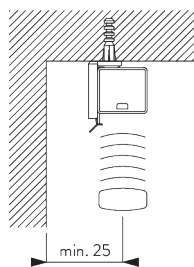
Side-by-side fitting

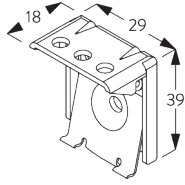


Min. distance: 5 mm

B. CEILING FITTING

Bracket SG 8201



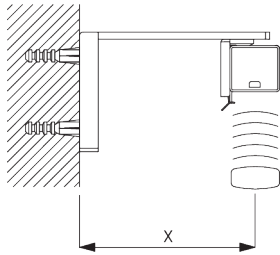


SG 8201

Bracket

C. WALL FITTING

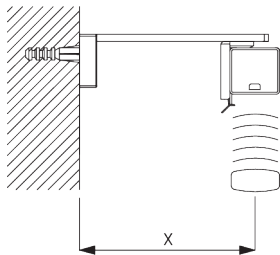
Smart Fix



Smart Fix SG 11200 - SG 11203 and bracket SG 8201:

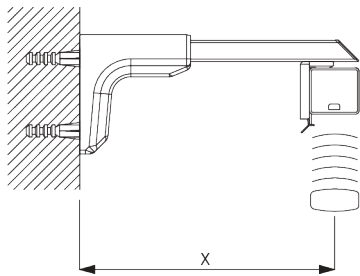
Screw SG 10395 (M4x6) needed.

Smart Fix	X mm
SG 11200 / SG 11210	57
SG 11201 / SG 11211	77
SG 11202 / SG 11212	97
SG 11203 / SG 11213	117
SG 11154	107-135
SG 11155	137-165
SG 11156	187-215



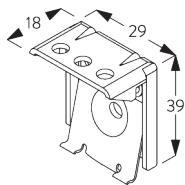
Square Smart Fix SG 11210 - SG 11213 and bracket SG 8201:

Screw SG 10395 (M4x6) needed.



Universal Smart Fix SG 11154 - SG 11156 and bracket SG 8201:

Screw SG 10407 (M4x10) needed.



SG 8201

Bracket



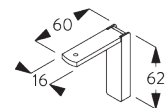
SG 10395

Pan head screw M4x6



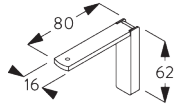
SG 10407

Pan head screw M4x10

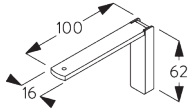


SG 11200

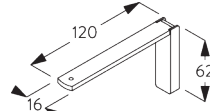
Smart Fix 60 mm



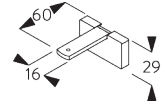
SG 11201
Smart Fix 80 mm



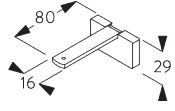
SG 11202
Smart Fix 100 mm



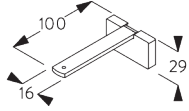
SG 11203
Smart Fix 120 mm



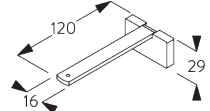
SG 11210
Square Smart Fix 60 mm



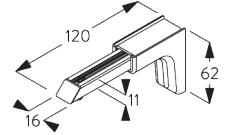
SG 11211
Square Smart Fix 80 mm



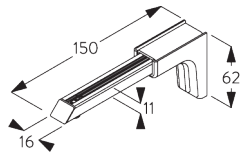
SG 11212
Square Smart Fix 100 mm



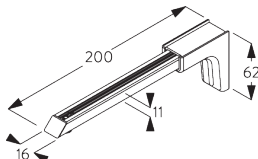
SG 11213
Square Smart Fix 120 mm



SG 11154
Universal Smart Fix 120 mm

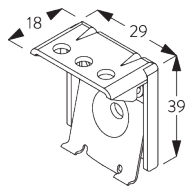
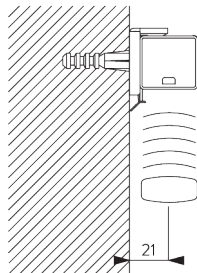


SG 11155
Universal Smart Fix 150 mm



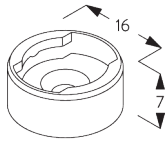
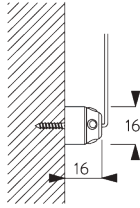
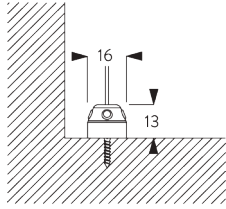
SG 11156
Universal Smart Fix 200 mm

Bracket SG 8201

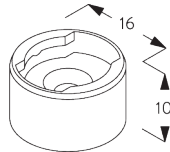


SG 8201
Bracket

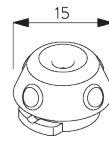
**D. FITTING WITH
SIDE GUIDE
OPTION**



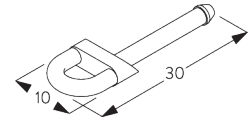
SG 8235
Side guide wire base short



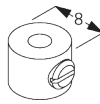
SG 8236
Side guide wire base long



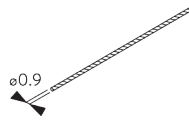
SG 8237
Side guide wire holder



SG 8241
Side guide eyelet



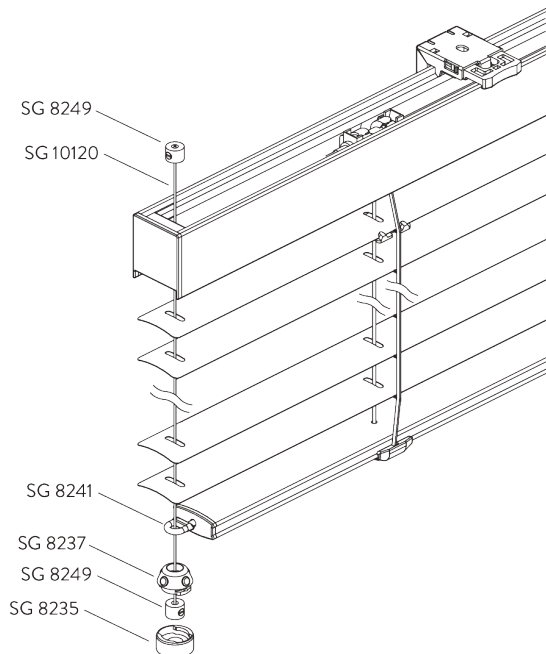
SG 8249
Side guide device



SG 10120
Side guide wire \varnothing 0.9 mm

SYSTEM OPTIONS

A. SIDE GUIDES



Additional parts:

- 2x SG 8235 Side guide wire base short
- 2x SG 8237 Side guide wire holder
- 2x SG 8241 Side guide eyelet
- 4x SG 8249 Side guide device
- 2x SG 10120 Side guide wire \varnothing 0.9 mm

Note:

- Up to 15° from vertical

MOTOR & CONTROLS

A. MOTOR FEATURES

Motor	SG 8060
Motor Features	
Mechanical end-stop	●
IP class	IP 20
Control Features	
SG Control L (external receiver required)	●
Suitable for most major home automation systems (with suitable interface)	●

B. MOTOR SPECIFICATIONS

Motor	Voltage	Current	Speed
SG 8060	24 V DC	0.65 A	30 rpm

See website for wiring diagram.

C. OPERATING METHODS

See catalogue "controls" for details.

Wall Switch



System can be operated by fixed wall switch.

SG Control L



Various radio hand-held and wall transmitters available. An external receiver is required.



Silent Gliss Move App.

D. WIRING DIAGRAMS



Refer to Silent Gliss website.

PARTS

A. STANDARD PARTS



SG 8004

Bottom bar 24 mm



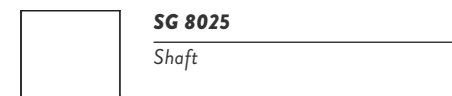
SG 8007

Slat 25 mm



SG 8013

Bottom clip 25 mm



SG 8025

Shaft



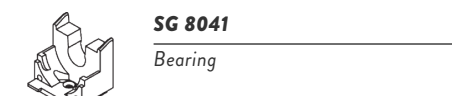
SG 8038

Shaft adaptor long



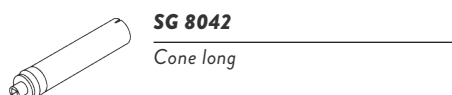
SG 8039

Stop ring



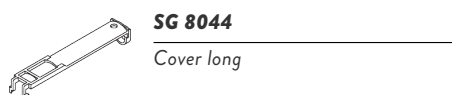
SG 8041

Bearing



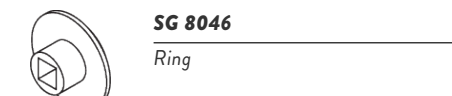
SG 8042

Cone long



SG 8044

Cover long



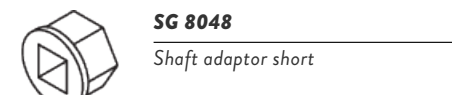
SG 8046

Ring



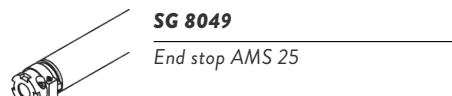
SG 8047

Profile adaptor



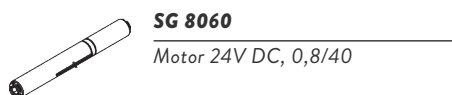
SG 8048

Shaft adaptor short



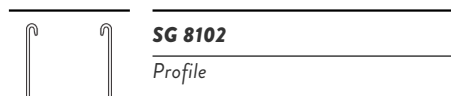
SG 8049

End stop AMS 25



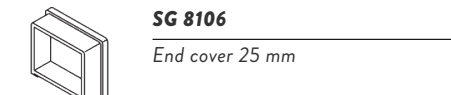
SG 8060

Motor 24V DC, 0,8/40



SG 8102

Profile



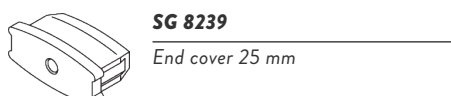
SG 8106

End cover 25 mm



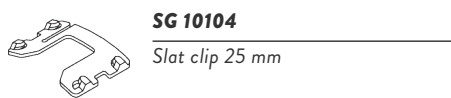
SG 8201

Bracket



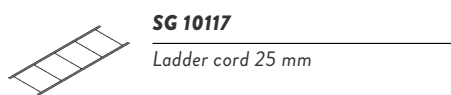
SG 8239

End cover 25 mm



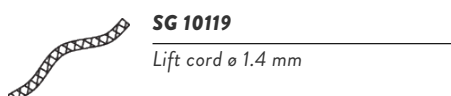
SG 10104

Slat clip 25 mm



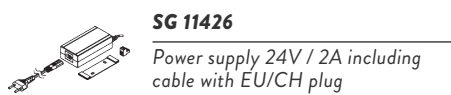
SG 10117

Ladder cord 25 mm



SG 10119

Lift cord \varnothing 1.4 mm



SG 11426

Power supply 24V / 2A including cable with EU/CH plug

B. OPTIONAL PARTS



SG 8003

Bottom bar 16 mm



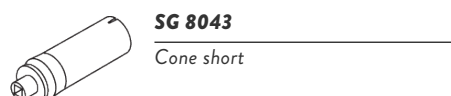
SG 8006

Slat 16 mm



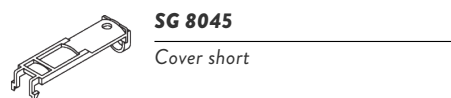
SG 8012

Bottom clip 16 mm



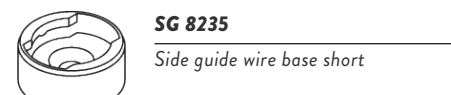
SG 8043

Cone short



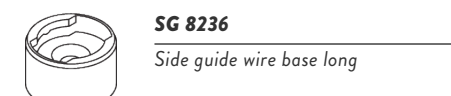
SG 8045

Cover short



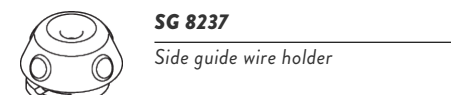
SG 8235

Side guide wire base short



SG 8236

Side guide wire base long



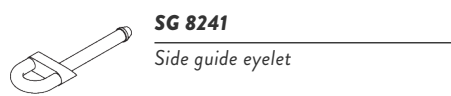
SG 8237

Side guide wire holder



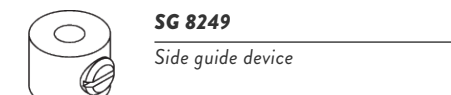
SG 8238

End cover 16 mm



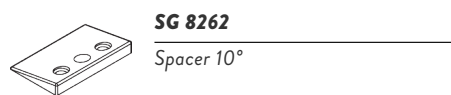
SG 8241

Side guide eyelet



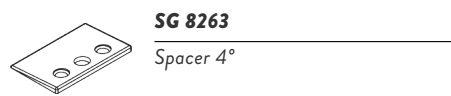
SG 8249

Side guide device



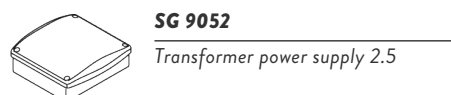
SG 8262

Spacer 10°



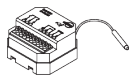
SG 8263

Spacer 4°

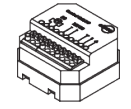


SG 9052

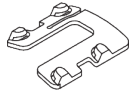
Transformer power supply 2.5



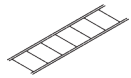
SG 9068
Radio receiver Revio



SG 9947
Control unit DC 24V



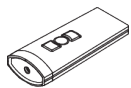
SG 10109
Slat clip 16 mm



SG 10116
Ladder cord 16 mm



SG 10120
Side guide wire ø 0.9 mm



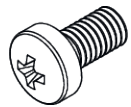
SG 10300
Radio hand held 1 channel



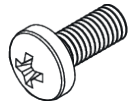
SG 10302
Radio hand held 5+1 channel



SG 10303
Radio hand held 10+2+1 channel



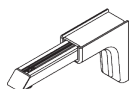
SG 10395
Pan head screw M4x6



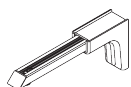
SG 10407
Pan head screw M4x10



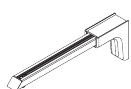
SG 10804
Radio hand held 15+5+1 channel



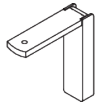
SG 11154
Universal Smart Fix 120 mm



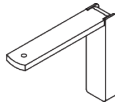
SG 11155
Universal Smart Fix 150 mm



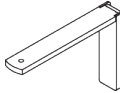
SG 11156
Universal Smart Fix 200 mm



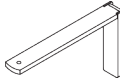
SG 11200
Smart Fix 60 mm



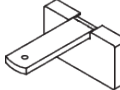
SG 11201
Smart Fix 80 mm



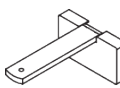
SG 11202
Smart Fix 100 mm



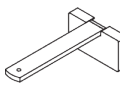
SG 11203
Smart Fix 120 mm



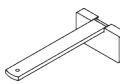
SG 11210
Square Smart Fix 60 mm



SG 11211
Square Smart Fix 80 mm



SG 11212
Square Smart Fix 100 mm



SG 11213
Square Smart Fix 120 mm



SG 11480
Radio wall transmitter 1 channel



SG 11490
Radio wall transmitter 5+1 channel

The Architects of Silence

Silent Gliss is the leading global supplier of premium interior window treatments. Since 1952 we have been tirelessly committed to the development of the world's smoothest, quietest systems using state of the art technology.

Driven by customer needs, Silent Gliss offers functional and durable products. Expert technical advice coupled with installation and support services complete the offer. Silent Gliss stands for innovative, sustainable, tailor made solutions, exceptional design and first-class quality.

Silent Gliss GmbH

Belgradplatz 5 / Office 3
1100 Vienna

Austria

T +43 (0) 1 615 02 73

F +43 (0) 1 615 02 73 88

info@silentgliss.at

silentgliss.at

silentgliss-cee.com

silentgliss-russia.com